



Manitowoc
Foodservice
Parts Manual

For more Parts Information:

<https://manitowocfsg.sysonline.com/Default.aspx>

TABLE OF CONTENTS

Manitowoc Foodservice [Updated: Sep. 30, 2013]

Manitowoc - Ice & Related

Parts Catalog

Ice Machine

NEO UnderCounter Series

U0310

U0310 - Control Box Components 1

U0310 - Evaporator Compartment - Common Components 3

U0310 - Refrigeration Compartment - Common Components 5

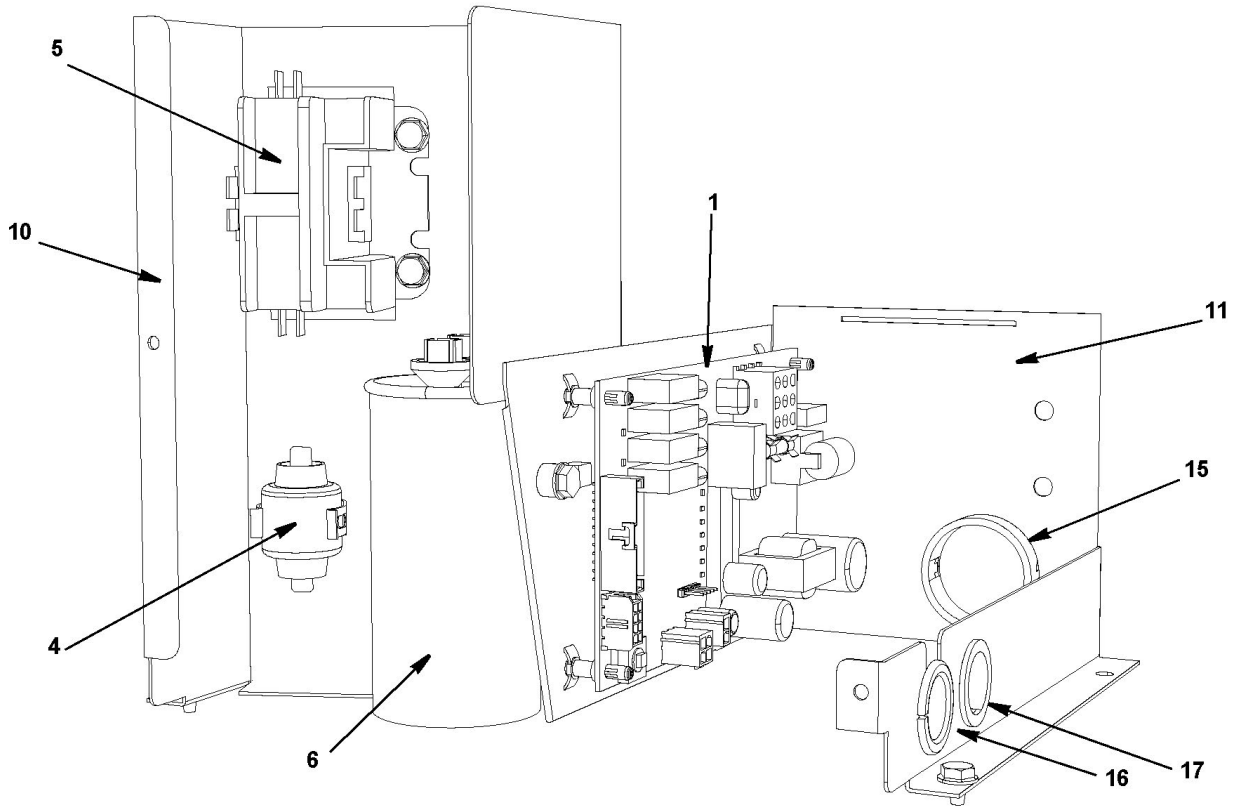
U0310 - Refrigeration Compartment - Air-cooled Components 8

U0310 - Refrigeration Compartment - Water-cooled Components 10

U0310 - Panels 12

U0310

U0310 - CONTROL BOX COMPONENTS



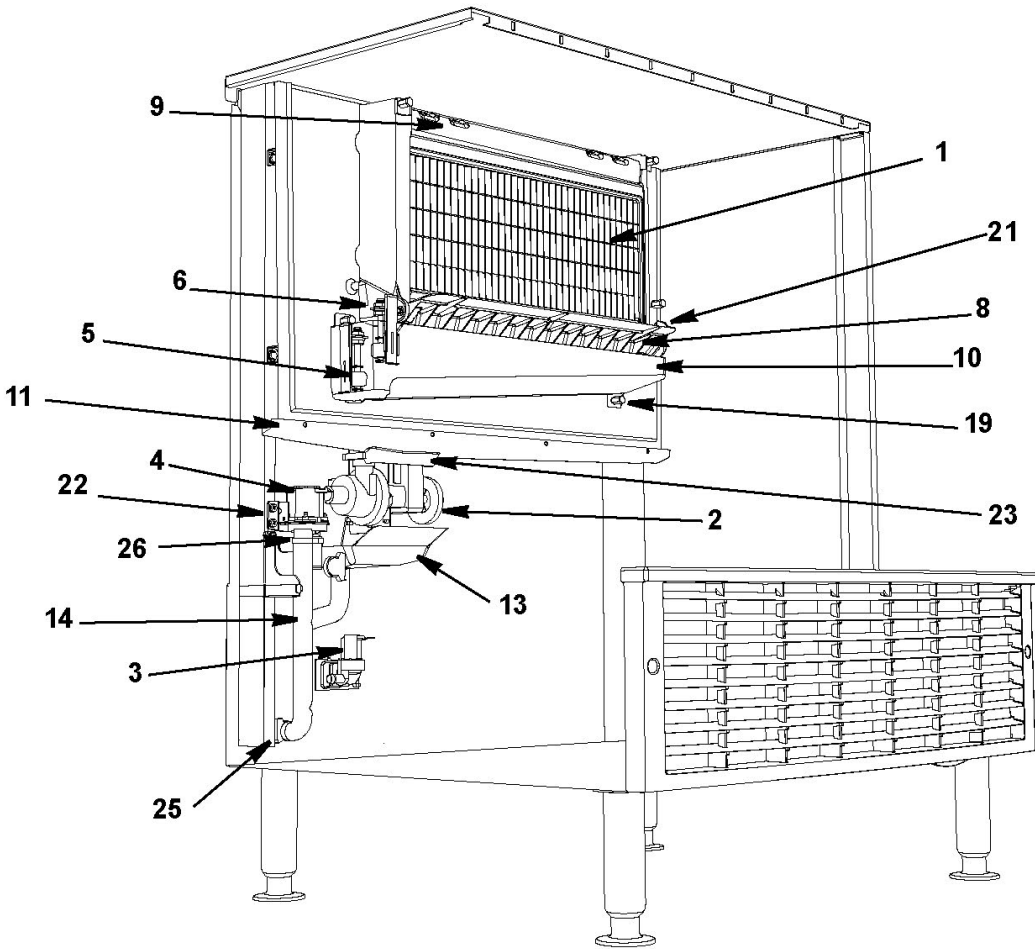
U0310

U0310 - CONTROL BOX COMPONENTS

#	PART #	DESCRIPTION	QTY	Note
1	040002007	Control Board		
2	2511493	10 Amp Fuse		
3		Wiring Harness		
3a	040002052	Wiring Harness - Touch Pad to Wire Chase Connection		
3b	040003522	Wiring Harness - Control Box to Wire Chase Connection		
4	8505003	PTCR Compressor Starter		
4a	8505023	PTCR Mounting Bracket		
5		Contactors		
5a	2006569	Contactor - 115V/60 Hz/1 Ph		
5b	2006579	Contactor - 230V/50-60 Hz/1 Ph		
6		Run Capacitors		
6a	2010133	Run Capacitor - 115-230V/50-60 Hz/1 Ph		
6b	000007675	Run Capacitor - 208-230V/50-60 Hz/1 Ph		
6c	5005309	Capacitor Mounting Bracket		
7		Overloads		
7a	040003426	Overload - 115V/60 Hz/1 Ph		
7b	040003427	Overload - 230V/60 Hz/1 Ph		
7c	040002856	Overload - 230V/50 Hz/1 Ph		
8		Wiring Harness		
8a	040003316	Wiring Harness - Air-cooled		
8b	040003317	Wiring Harness - Water-cooled		
8c	040003514	Wiring Harness - Compressor		
9		Power Cord		
9a	2006863	Power Cord - 115V/60 Hz		
9b	2006749	Power Cord - 230V/50-60 Hz		
9c	2512043	Strain Relief Bushing		
10	040003676	Control Box - Left		
11	040003678	Control Box - Right		
12	040003677	Control Box - Cover		
13	4302253	Control Board Mounting Supports		
14	5202329	Screw - #10-24 x 0.25" PH		
14a	5573209	Star Washer		
15	2500139	Bushing - 1.5"		
16	2501409	Bushing - 0.875"		
17	040002479	Bushing - OSB-22		

U0310

U0310 - EVAPORATOR COMPARTMENT - COMMON COMPONENTS



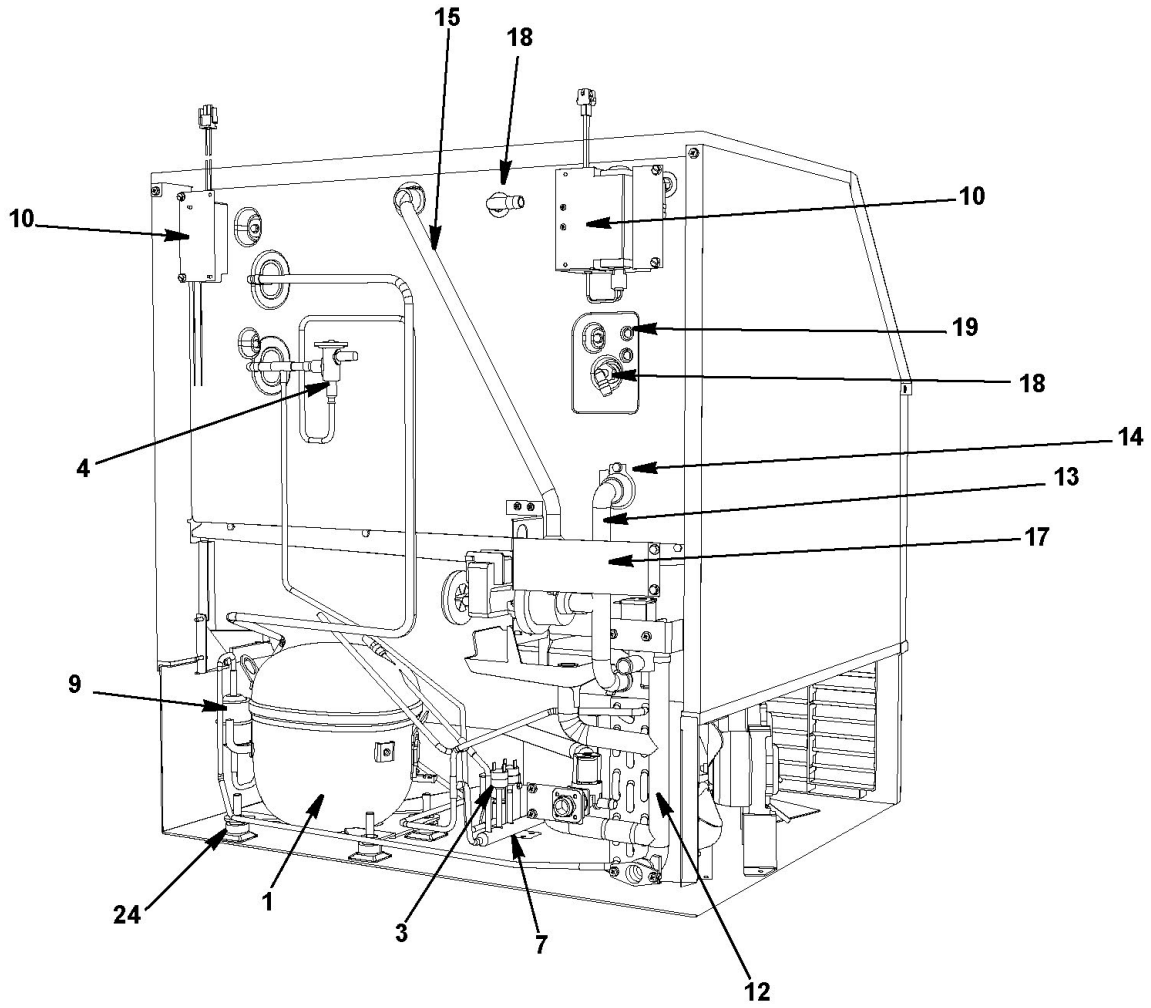
U0310

U0310 - EVAPORATOR COMPARTMENT - COMMON COMPONENTS

#	PART #	DESCRIPTION	QTY	Note
1		Evaporators		
1a	000011554	Evaporator - Regular Cube		
1b	000011553	Evaporator - Dice Cube		
1c	000011552	Evaporator - Half Dice Cube		
2		Water Pumps		
2a	040003291	Water Pump - 115V/60 Hz		
2b	040003293	Water Pump - 208-230V/60 Hz		
2c	040003292	Water Pump - 230V/50 Hz		
2d	040002833	Water Pump Flow Restrictor		
3		Water Inlet Valves		
3a	040003579	Water Inlet Valve - 115V/60 Hz		
3b	040003580	Water Inlet Valve - 230V/50-60 Hz/1 Ph		
3c	040003998	Mylar Shield		
4		Water Dump Valve		
4a	000001767	Water Dump Valve - 115V/60 Hz		
4b	000001768	Water Dump Valve - 208-230V/50-60 Hz		
5	040002396	Harvest Float Switch		
5a	040001777	Bracket - Float Switch		
6	040001783	Ice Thickness Float Switch		
6a	040001777	Bracket - Float Switch		
7	040002393	Magnetic Bin Switch		
8	7629093	Ice Damper Magnet and Cap		
9	000009075	Water Distribution Cover		
10	040001772	Water Trough		
10a	040002014	Fitting - Water Trough		
10b	040003588	Mylar Shield - Water Trough		
10c	040002034	O-ring		
11	040003420	Rear Trough		
13	040003660	Drain Sink		
14	040002715	Drain Tube (connects drain sink, dump valve and bin)		
15	040003515	Trough Tube (connects water trough to water pump & dump valve)		
16	040002011	Water Tube (water pump to evaporator)		
17	040003541	Drain Tube Bracket		
18	040002452	Water Inlet Valve Tubing		
19	040001217	Thumbscrew - #8-32 x 0.625"		
20	5202069	Screw - #10-24 x 0.50" HEX		
21	000009053	Evaporator Side Damper Mount		
22	040002879	Bracket - Water Dump Valve		
23	040003295	Bracket - Water Pump		
24	8706133	Female Wing Adapter - 0.50"		
25	5650649	Hose Clamp - 0.759"/0.848" ID		
26	5650709	Snap Clamp - 0.799"/0.899" ID		

U0310

U0310 - REFRIGERATION COMPARTMENT - COMMON COMPONENTS



U0310

U0310 - REFRIGERATION COMPARTMENT - COMMON COMPONENTS

#	PART #	DESCRIPTION	QTY	Note
1		Compressors		
1a	040002876	Compressor - 115V/60 Hz/1 Ph		
1b	040003426	Overload - 115V/60 Hz/1 Ph		
1c	040002854	Compressor - 230V/60 Hz/1 Ph		
1d	040003427	Overload - 230V/60 Hz/1 Ph		
1e	040002865	Compressor - 230V/50 Hz/1 Ph		
1f	040002856	Overload - 230V/50 Hz/1 Ph		
2		Harvest Valve		
2a	040001075	Solenoid Valve Including 115V/60 Hz Electrical Coil		
2b	040000101	Coil - Solenoid Valve - 115V		
2c	040001071	Solenoid Valve Including 208-230V/50-60 Hz Electrical Coil		
2d	040000103	Coil - Solenoid Valve - 208-230V/50-60 Hz		
2e	040002442	Bracket - Valve		
3	2001243	High Pressure Cut-out Control		
4	040004053	Expansion Valve		
4a	3000833	Strap - Expansion Valve Bulb - 0.375"		
5	4000363	Valve Insulation Boot - Body		
6	4007203	Valve Insulation Boot - Bulb		[1]
7	8251063	Manifold Strainer		
8	8373253	Access Valve		
9	8930259	Drier		
10		LuminIce		
11	040002442	Bracket - Valve		
12	040002715	Drain Tube (connects drain sink, dump valve and bin)		
13	040003515	Trough Tube (connects water trough to water pump & dump valve)		
14	040002014	Fitting - Water Trough		
14a	040002034	O-ring		
15	040002011	Water Tube (water pump to evaporator)		
16	040002452	Water Inlet Valve Tubing		
17	040003295	Bracket - Water Pump		
18	040003535	Water Adapter Assembly		
19	040002382	Wire Bushing		
20	5650539	Snap Clamp - 1.123 x 1.296		
21	5650663	Clamp - 1.218 x 1.405		
22	5650529	Clamp - Expansion Valve Bulb		
23	5202069	Screw - #10-24 x 0.50" HEX		
24		Compressor Mounting		
24a	040002890	Mounting - Rubber Grommet		
24b	040002892	Mounting - Sleeve		
24c	5573099	Mounting - Flatwasher		
24d	040003521	Mounting - Clevis Pin		
24e	040003550	Mounting - Hair Pin		

U0310

U0310 - REFRIGERATION COMPARTMENT - COMMON COMPONENTS

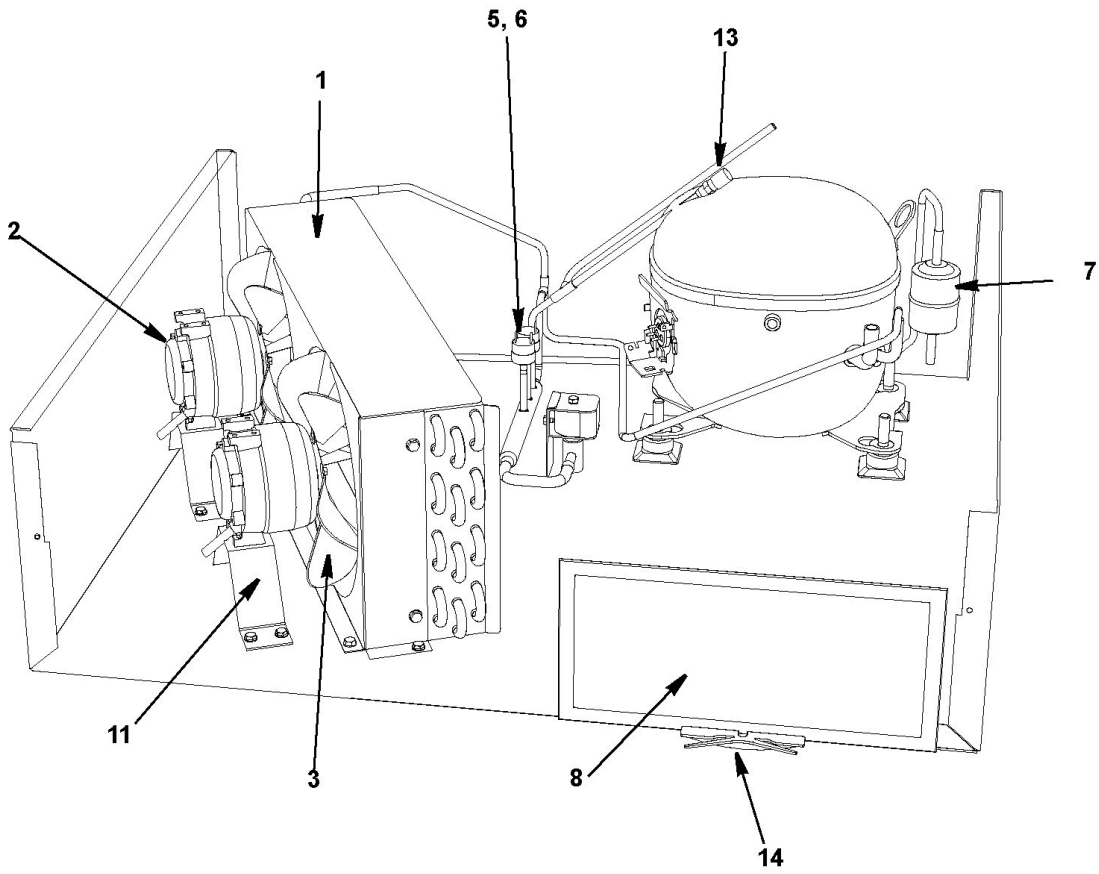
#	PART #	DESCRIPTION	QTY	Note
24f	040003581	Mounting - Retainer		
25	040003428	Terminal Adapter		
26	040002847	Terminal Cover		
27	040002848	Bracket - Overload		

PART NOTES:

[1] - \pages from 400720_08.jpg" width=923 height=583>

U0310

U0310 - REFRIGERATION COMPARTMENT - AIR-COOLED COMPONENTS



U0310

U0310 - REFRIGERATION COMPARTMENT - AIR-COOLED COMPONENTS

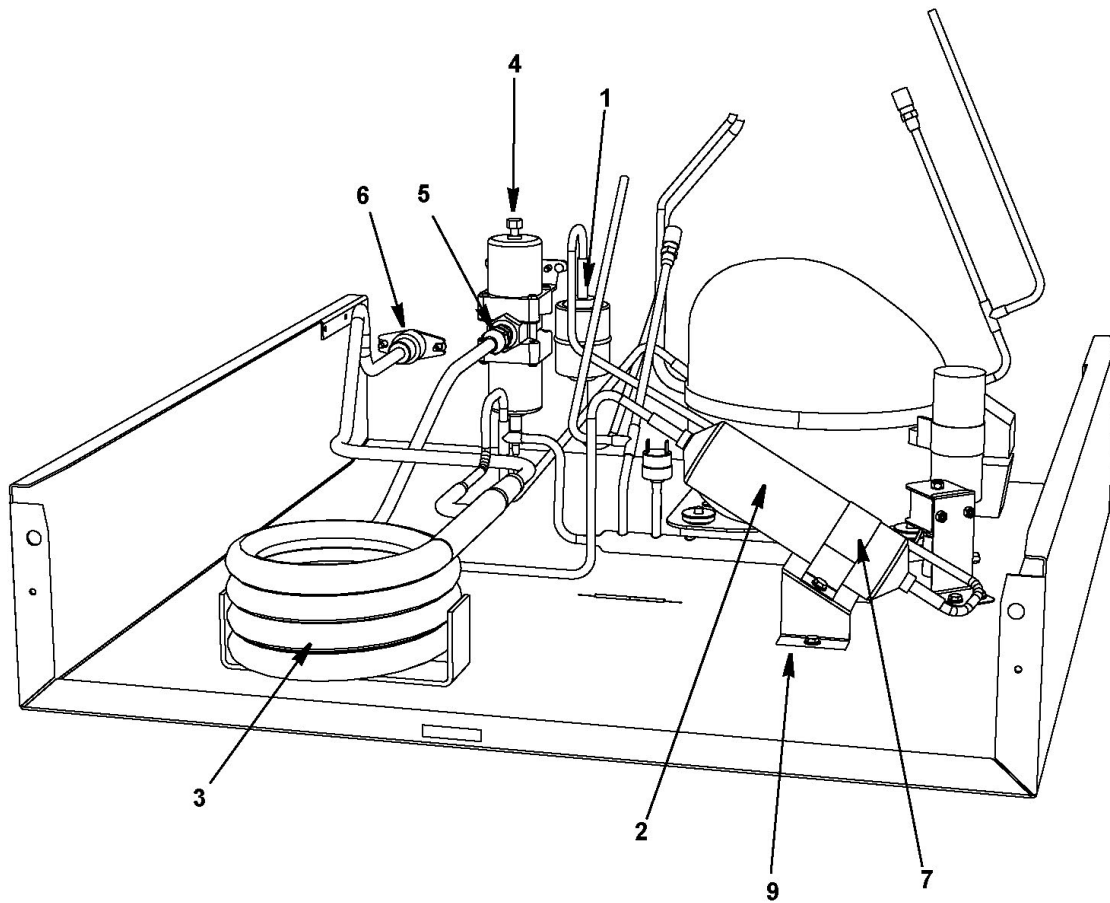
#	PART #	DESCRIPTION	QTY	Note
1	040002008	Air Condenser		
2		Fan Motors		
2a	040003529	Fan Motor - 115V/60 Hz		
2b	040003530	Fan Motor - 208-230V/50-60 Hz		
3	2416253	Fan Blade		
4	040003670	Fan Blade Divider		
5	2001263	Fan Cycling Control - 200-250 psig		[1]
6	2001243	High Pressure Cut-out Control		
7	8930259	Drier		
8	040002435	Air Filter		
9	040003546	Air Deflector		
10	040002472	Fan Shroud		
11	040002465	Fan Bracket		
12	040001400	Mounting Bolts		
13	8373253	Access Valve		
14	040002910	Bracket - Air Filter		

PART NOTES:

[1] - \pages from 200126_09.jpg" width=150 height=306>

U0310

U0310 - REFRIGERATION COMPARTMENT - WATER-COOLED COMPONENTS



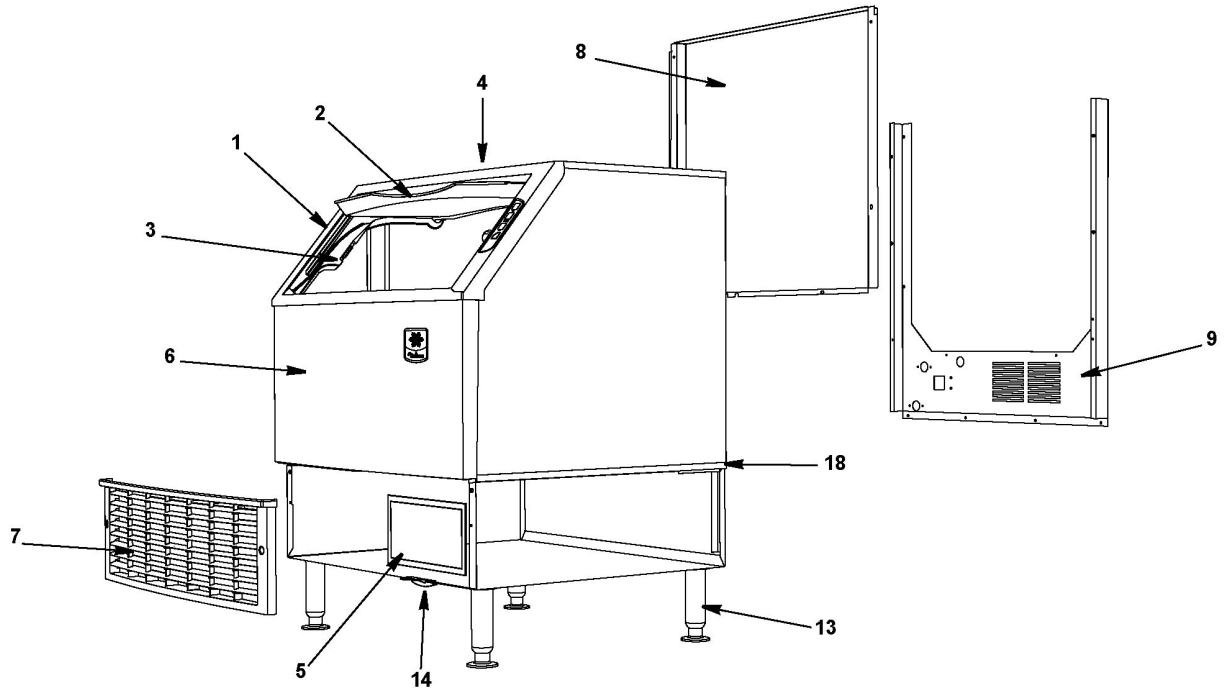
U0310

U0310 - REFRIGERATION COMPARTMENT - WATER-COOLED COMPONENTS

#	PART #	DESCRIPTION	QTY	Note
1	8930259	Drier		
2	000008892	Receiver		
3	000000045	Water-cooled Condenser		
4	040002912	Water Regulating Valve		
5	5002193	Fitting - Water Regulating Valve		
6	8706103	Female Wing Adapter - 0.50"		
7	040002045	Strap - Receiver		
8	8332023	Water Coupling Connection - 0.375" NPT		
9	040002904	Bracket - Receiver		

U0310

U0310 - PANELS



U0310

U0310 - PANELS

#	PART #	DESCRIPTION	QTY	Note
1	040004054	Door Frame with Touch Pad		
2		Door		
3	040003536	Door Track Assembly		
4	040003309	Top Cover		
5	040002435	Air Filter		
6	040002438	Cabinet Assembly		
7	040002401	Front Lower Louvered Panel (grill)		
8	040002411	Back Panel - Upper		
9		Back Panel - Lower		
9a	040002911	Back Panel - Lower - Air-cooled		
9b	040002410	Back Panel - Lower - Water-cooled		
10	5202069	Screw - #10-24 x 0.50" HEX		
11	040002930	Ice Scoop - UnderCounter		
12	040002033	Ice Scoop Holder- UnderCounter		
13		Legs - Refer to Sales Price List		
14	040002910	Bracket - Air Filter		
15	040003667	Top Cover Bracket		
16		Brackets - Side Panel		
16a	040003312	Bracket - Side Panel - Right		
16b	040003314	Bracket - Side Panel - Left		
17		Brackets - Door Track		
17a	040002046	Bracket - Door Track - Right		
17b	040002047	Bracket - Door Track - Left		
18		Brackets - Cabinet Track		
18a	040001773	Bracket - Cabinet Track - Right		
18b	040001774	Bracket - Cabinet Track - Left		
19	040002413	Bulkhead Gasket (seals bulkhead to bin)		
20	040003586	Cartoning		