



Manitowoc
Foodservice
Parts Manual

For more Parts Information:

<https://manitowocfsg.sysonline.com/Default.aspx>

TABLE OF CONTENTS

Manitowoc Foodservice [Updated: Sep. 30, 2013]

Manitowoc - Ice & Related

Parts Catalog

Ice Machine

NEO UnderCounter Series

U0240

U0240 - Control Box Components 1

U0240 - Evaporator Compartment - Common Components 3

U0240 - Refrigeration Compartment - Common Components 6

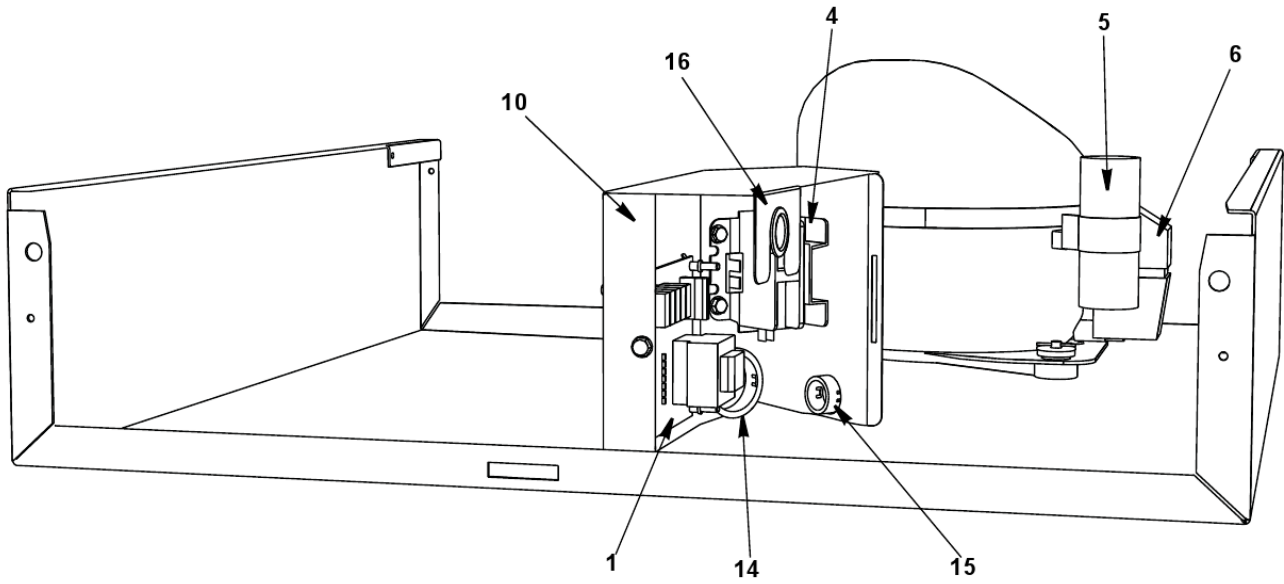
U0240 - Refrigeration Compartment - Air-cooled Components 9

U0240 - Refrigeration Compartment - Water-cooled Components 11

U0240 - Panels 13

U0240

U0240 - CONTROL BOX COMPONENTS



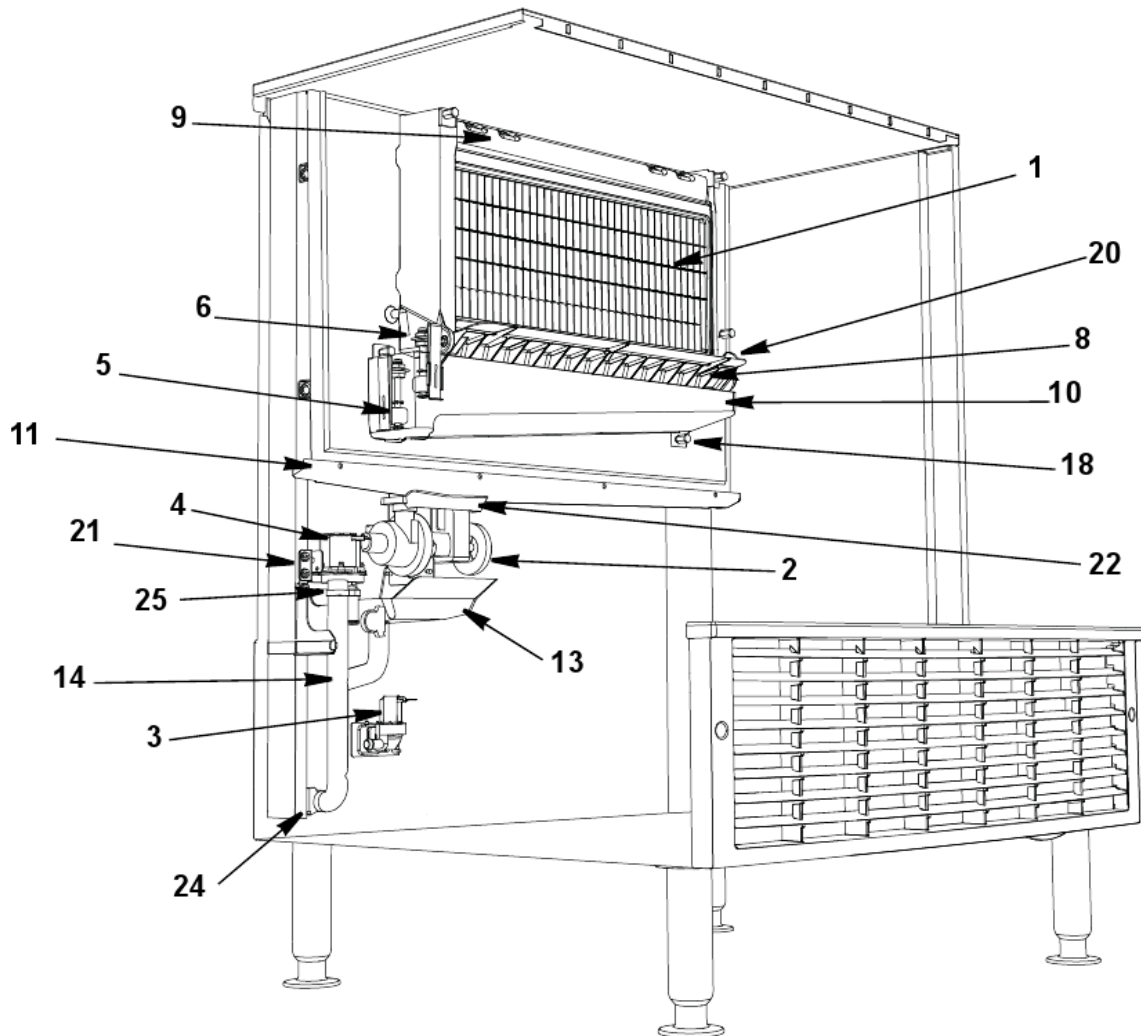
U0240

U0240 - CONTROL BOX COMPONENTS

#	PART #	DESCRIPTION	QTY	Note
1	040002007	Control Board		
2	2511493	10 Amp Fuse		
3		Wiring Harness		
3a	040002052	Wiring Harness - Touch Pad to Wire Chase Connection		
3b	040002053	Wiring Harness - Control Box to Wire Chase Connection		
4		Contactor		
4a	2006569	Contactor - 115V/60 Hz/1 Ph		
4b	2006579	Contactor - 230V/50-60 Hz/1 Ph		
5		Start Capacitor		
5a	2002033	Start Capacitor - 115V/60 Hz/1 Ph		
5b	040002851	Start Capacitor - 230V/60 Hz/1 Ph		
5c	040002840	Start Capacitor - 230V/50 Hz/1 Ph		
6		Current Relay		
6a	2002043	Current Relay with Overload - 115V/60 Hz/1 Ph		
6b	040002850	Current Relay - 230V/60 Hz/1 Ph		
6c	040002839	Current Relay - 230V/50 Hz/1 Ph		
7		Overload		
7a	040002846	Overload - 230V/60 Hz/1 Ph		
7b	040002836	Overload - 230V/50 Hz/1 Ph		
8		Wiring Harness		
8a	040004016	Wiring Harness - Air-cooled		
8b	040004015	Wiring Harness - Water-cooled		
9		Power Cord		
9a	2006863	Power Cord - 115V/60 Hz		
9b	2006749	Power Cord - 230V/50-60 Hz		
9d	2512043	Strain Relief Bushing		
10	040002028	Control Box		
11	040002029	Control Box Cover		
12	4302253	Control Board Mounting Supports		
13	5202329	Screw - #10-24 x 0.25" PH		
13a	5573209	Star Washer		
14	2500139	Bushing - 1.5"		
15	2501409	Bushing - 0.875"		
16	040002479	Bushing - OSB-22		

U0240

U0240 - EVAPORATOR COMPARTMENT - COMMON COMPONENTS



U0240

U0240 - EVAPORATOR COMPARTMENT - COMMON COMPONENTS

#	PART #	DESCRIPTION	QTY	Note
1		Evaporator Assembly		
1a	000011554	Evaporator - Regular Cube		
1b	000011553	Evaporator - Dice Cube		
1c	000011552	Evaporator - Half Dice Cube		
2		Water Pump		
2a	040003291	Water Pump - 115V/60 Hz		
2b	040003293	Water Pump - 208-230V/60 Hz		
2c	040003292	Water Pump - 230V/50 Hz		
2d	040002833	Water Pump Flow Restrictor		
3		Water Inlet Valve		
3a	040003579	Water Inlet Valve - 115V/60 Hz		
3b	040003580	Water Inlet Valve - 230V/50-60 Hz/1 Ph		
3c	040003385	Mylar Shield		
4		Water Dump Valve		
4a	000001767	Water Dump Valve - 115V/60 Hz		
4b	000001768	Water Dump Valve - 208-230V/50-60 Hz		
5	040002396	Harvest Float Switch		
5a	040001777	Bracket - Float Switch		
6	040001783	Ice Thickness Float Switch		
6a	040001777	Bracket - Float Switch		
7	040002393	Magnetic Bin Switch		
8	000011555	Ice Damper		
9	000009075	Water Distribution Cover		
10	040001772	Water Trough		
10a	040002014	Fitting - Water Trough		
10b	040002034	O-ring		
11	040002880	Rear Trough		
13	040002475	Drain Sink		
14	040002013	Drain Tube		[1]
15	040002012	Trough Tube		[2]
16	040002011	Water Tube (water pump to evaporator)		[3]
17	040002452	Water Inlet Valve Tubing		
18	040001217	Thumbscrew - #8-32 x 0.625"		
19	5202069	Screw - #10-24 x 0.50" HEX		
20	000009053	Evaporator Side Damper Mount		
21	040001995	Bracket - Water Dump Valve		
22	040002931	Bracket - Water Pump		
23	8706133	Female Wing Adapter - 0.50"		
24	5650649	Hose Clamp - 0.759"/0.848" ID		
25	5650709	Snap Clamp - 0.799"/0.899" ID		

PART NOTES:

[1] - connects drain sink, dump valve and bin

U0240

U0240 - EVAPORATOR COMPARTMENT - COMMON COMPONENTS

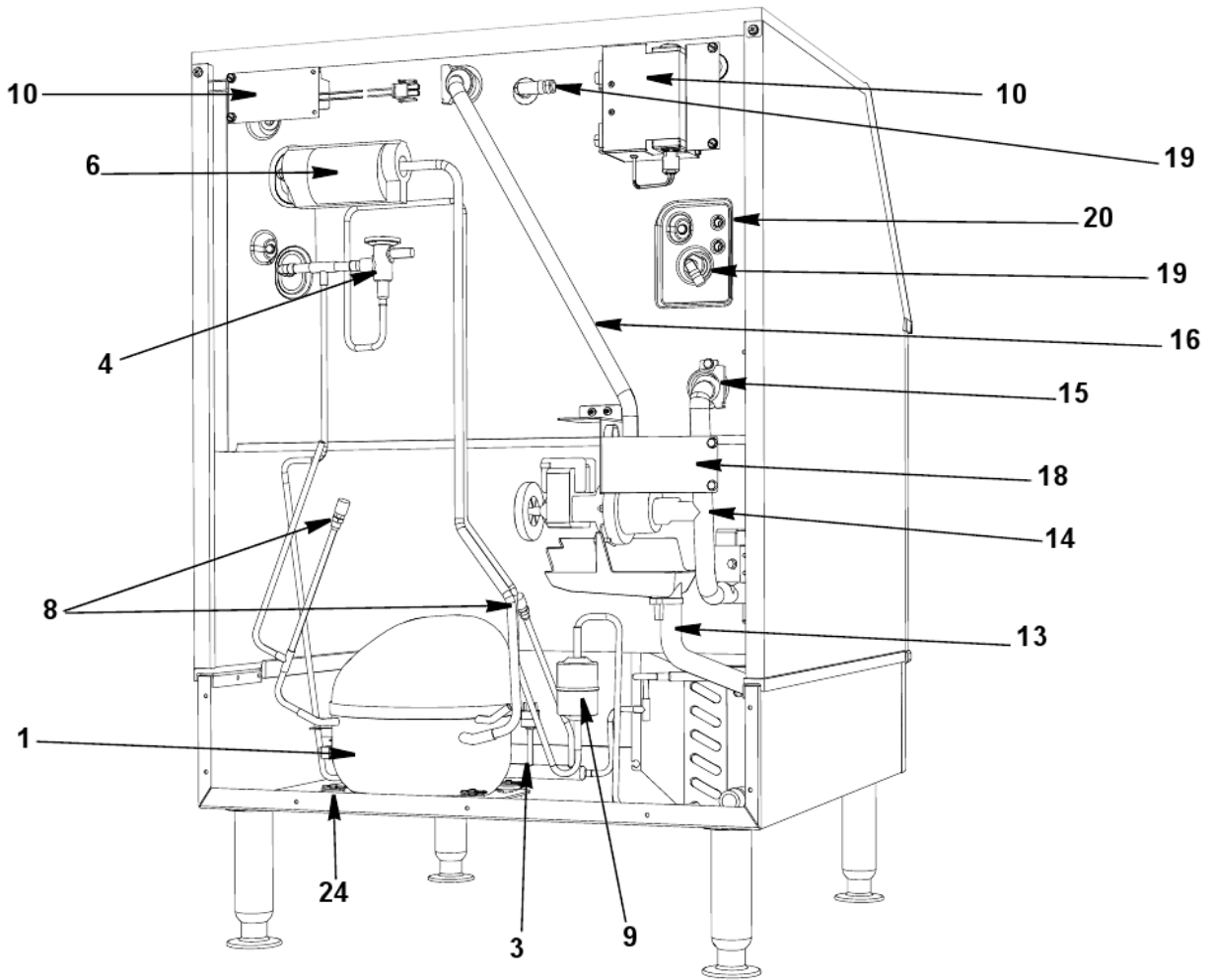
#	PART #	DESCRIPTION	QTY	Note
---	--------	-------------	-----	------

PART NOTES:

- [2] - connects water trough to water pump & dump valve
- [3] - water pump to evaporator

U0240

U0240 - REFRIGERATION COMPARTMENT - COMMON COMPONENTS



U0240

U0240 - REFRIGERATION COMPARTMENT - COMMON COMPONENTS

#	PART #	DESCRIPTION	QTY	Note
1		Compressor		
1a	7601323	Compressor - Danfoss - 115V/60 Hz/1 Ph		
1b	2002043	Current Relay with Overload - 115V/60 Hz/1 Ph		
1c	2002033	Start Capacitor - 115V/60 Hz/1 Ph		
1d	040002778	Compressor - Danfoss - 230V/60 Hz/1 Ph		
1e	040002850	Current Relay - 230V/60 Hz/1 Ph		
1f	040002851	Start Capacitor - 230V/60 Hz/1 Ph		
1g	040002846	Overload - 230V/60 Hz/1 Ph		
1h	040002777	Compressor - Danfoss - 230V/50 Hz/1 Ph		
1i	040002839	Current Relay - 230V/50 Hz/1 Ph		
1j	040002840	Start Capacitor - 230V/50 Hz/1 Ph		
1k	040002836	Overload - 230V/50 Hz/1 Ph		
2		Harvest Valve		
2a	040000689	Solenoid Valve Including Coil - 115V/60 Hz		
2b	040000101	Coil - Solenoid Valve - 115V		
2c	040000690	Solenoid Valve Including Coil - 208-230/50-60 Hz		
2d	040000103	Coil - Solenoid Valve - 208-230V/50-60 Hz		
3	2001243	High Pressure Cut-out Control		
4	000011557	Expansion Valve		
4a	3000833	Strap - Expansion Valve Bulb - 0.375"		
5	4000363	Valve Insulation Boot - Body		
6	4007203	Valve Insulation Boot - Bulb		[1]
7	8251063	Manifold Strainer		
8	8373253	Access Valve		
9	8930259	Drier		
10	K00440	Luminice - NEO		
11	040002442	Bracket - Valve		
12	040002848	Bracket - Overload		
13	040002013	Drain Tube		[2]
14	040002012	Trough Tube		[3]
15	040002014	Fitting - Water Trough		
15a	040002034	O-ring		
16	040002011	Water Tube (water pump to evaporator)		[4]
17	040002452	Water Inlet Valve Tubing		
18	040002931	Bracket - Water Pump		
19		Water Adapters		
19a	040002019	Water Adapter - Male		
19b	040002021	Water Adapter - Female		
20	040002382	Wire Bushing		
21	5650539	Snap Clamp - 1.123 x 1.296		
22	5650529	Clamp - Expansion Valve Bulb		
23	5202069	Screw - #10-24 x 0.50" HEX		

U0240

U0240 - REFRIGERATION COMPARTMENT - COMMON COMPONENTS

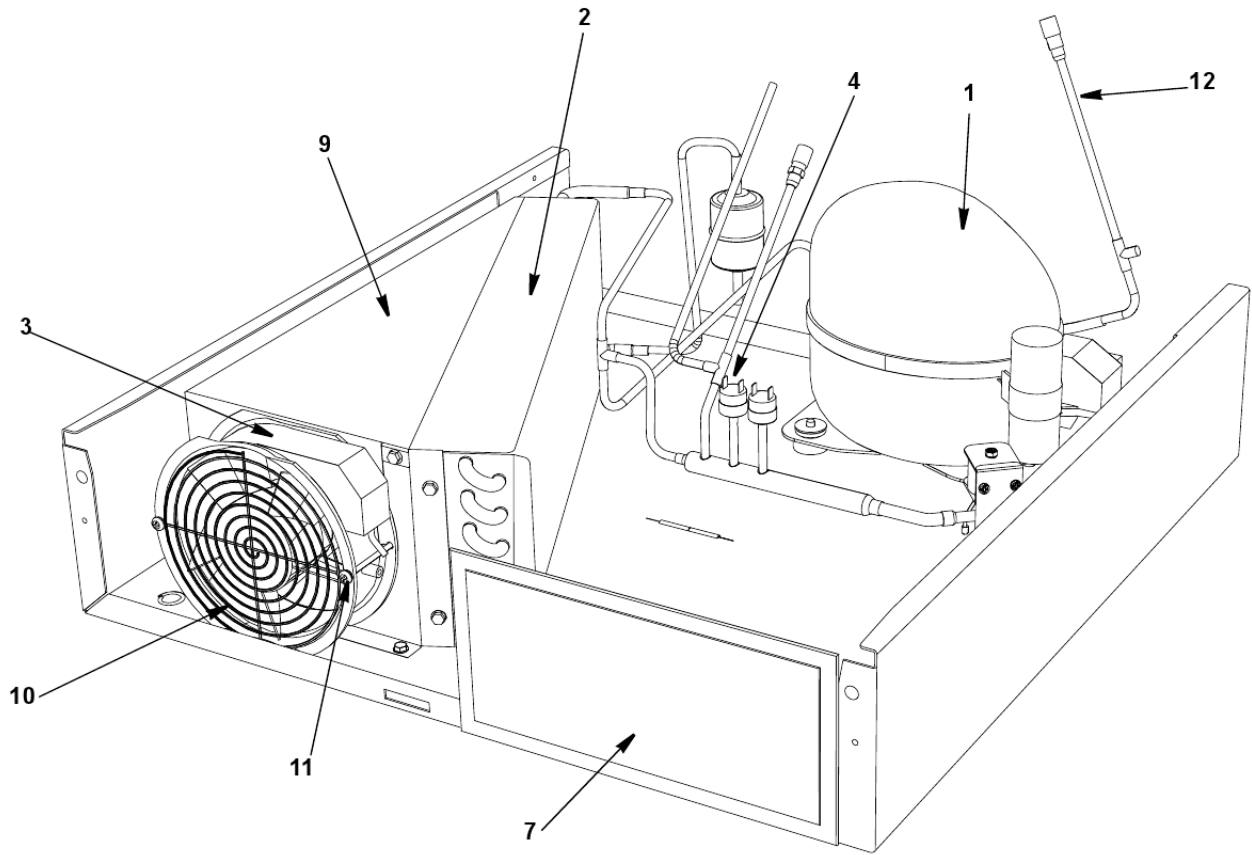
#	PART #	DESCRIPTION	QTY	Note
24		Compressor Mounting		
24a		Rubber Grommet - See Note for Usage		
24b	5004203	Mounting - Grommet		[5]
24c	040002893	Mounting - Grommet		[6]
24d		Sleeve - See Note for Usage		
24e	5004213	Sleeve		[5]
24f	040002894	Sleeve		[6]
24g	5573099	Mounting - Flatwasher		
24h	3712109	Clevis Pin - 0.25" x 1"		
24i	5648289	Hairpin Clip		
24j	5648269	Mounting - Retainer		
25	040002848	Bracket - Overload		
26	040002847	Terminal Cover		
27	040002852	Bracket - Capacitor		[7]

PART NOTES:

- [1] - \pages from 400720_08.jpg" width=923 height=583>
- [2] - connects drain sink, dump valve and bin
- [3] - connects water trough to water pump & dump valve
- [4] - water pump to evaporator
- [5] - Use on 115V Compressors
- [6] - Use on 230V Compressors
- [7] - 230V only

U0240

U0240 - REFRIGERATION COMPARTMENT - AIR-COOLED COMPONENTS



U0240

U0240 - REFRIGERATION COMPARTMENT - AIR-COOLED COMPONENTS

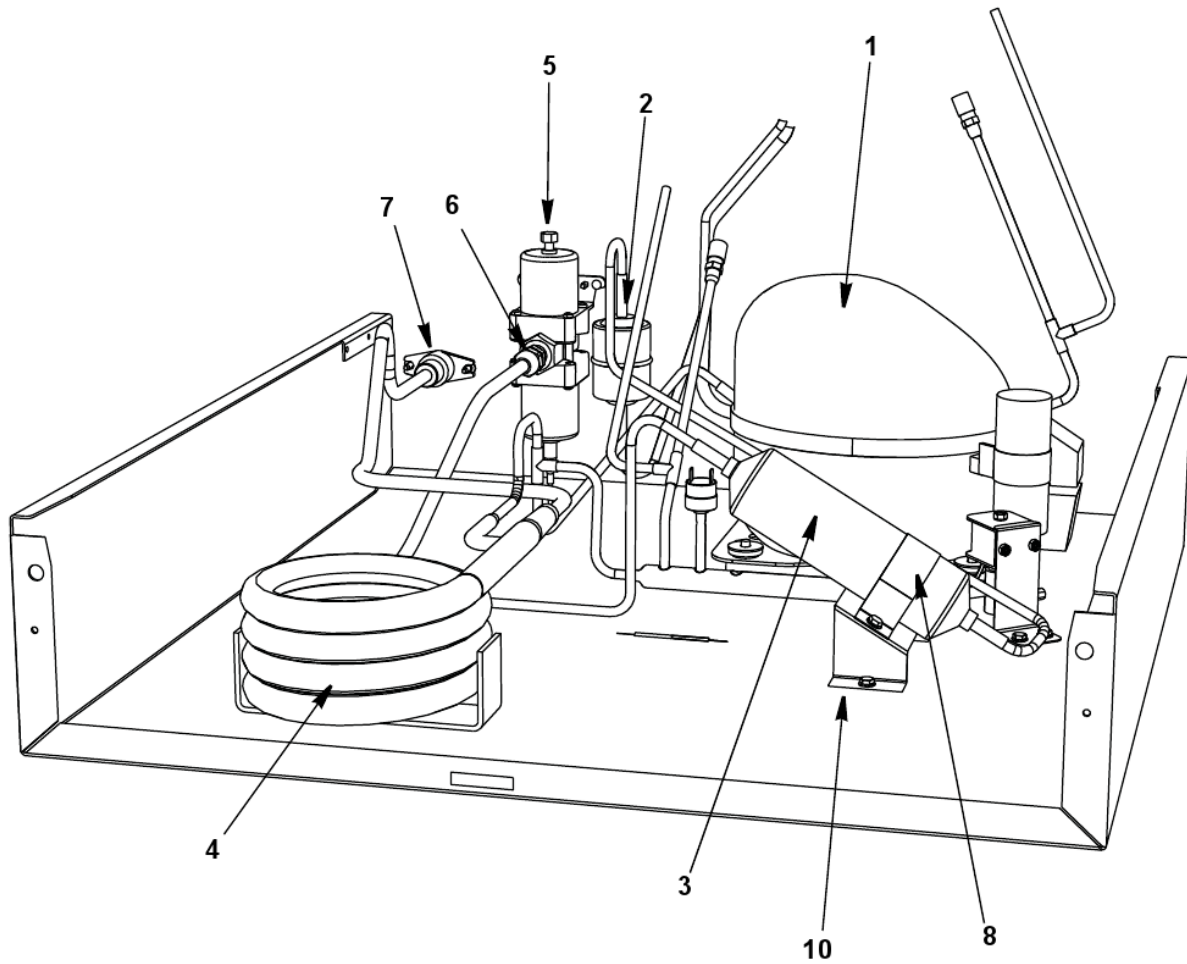
#	PART #	DESCRIPTION	QTY	Note
1		Compressor		[1]
2	040001942	Air Condenser		
3		Fan Motor with Blade		
3a	040001943	Fan Motor - 115V		
3b	040001944	Fan Motor - 230V		
4	2001273	Fan Cycling Control - 225-275 psig		[2]
5	2001243	High Pressure Cut-out Control		
6	8930259	Drier		
7	040002435	Air Filter		
8	040003184	Air Deflector		
9	040002031	Fan Shroud		
10	040002384	Fan Guard		
11	040002451	Mounting - Bolts		
12	8373253	Access Valve		
13	040002910	Bracket - Air Filter		

PART NOTES:

- [1] - Refer to COMMON PARTS Page
- [2] - \pages from 200126_09.jpg" width=170 height=228>

U0240

U0240 - REFRIGERATION COMPARTMENT - WATER-COOLED COMPONENTS



U0240

U0240 - REFRIGERATION COMPARTMENT - WATER-COOLED COMPONENTS

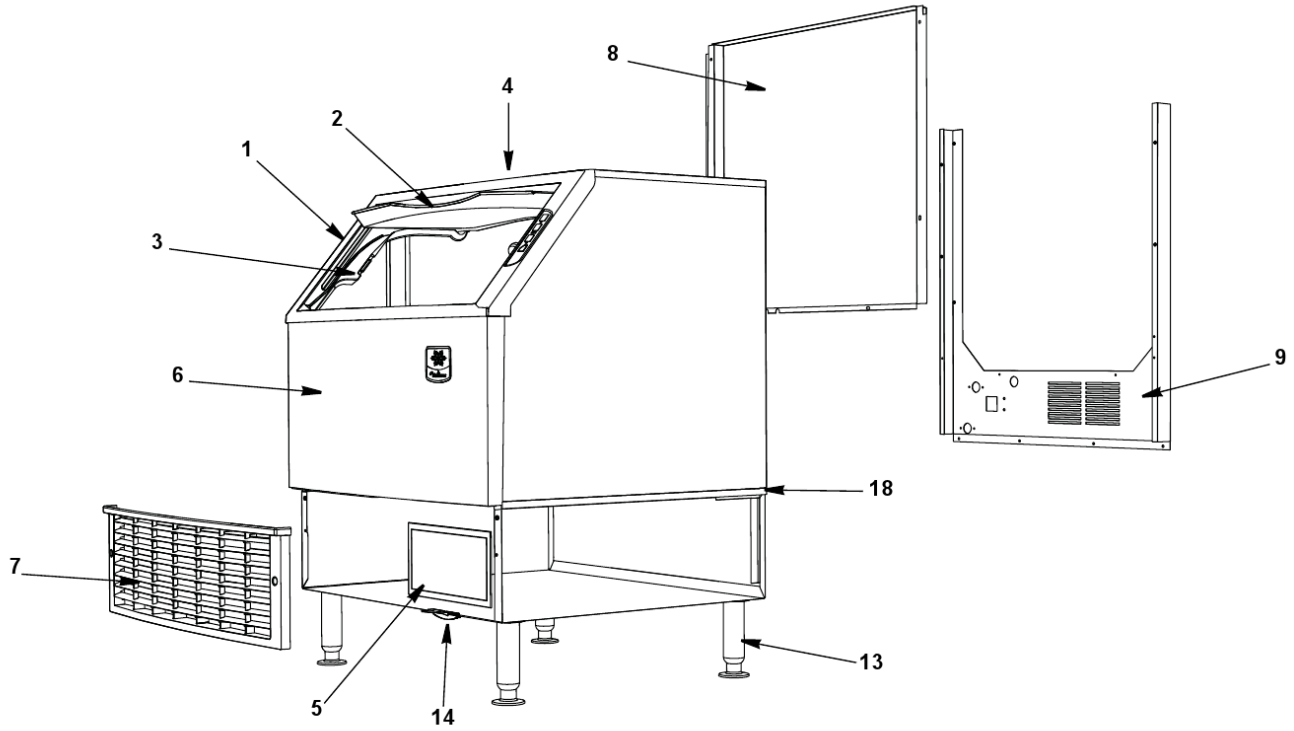
#	PART #	DESCRIPTION	QTY	Note
1		Compressor		[1]
2	8930259	Drier		
3	000008892	Receiver		
4	000000045	Water-cooled Condenser		
5	040002912	Water Regulating Valve		
6	5002193	Fitting - Water Regulating Valve		
7	8706103	Female Wing Adapter - 0.50"		
8	040002045	Strap - Receiver		
9	040002044	Bracket - Receiver		
10	8332023	Water Coupling Connection - 0.375" NPT		

PART NOTES:

[1] - Refer to COMMON PARTS Page

U0240

U0240 - PANELS



U0240

U0240 - PANELS

#	PART #	DESCRIPTION	QTY	Note
1	040003501	Door Frame with Touch Pad		
2	040002022	Door		
3	040003536	Door Track Door Track Assembly		
4	040002926	Top Cover		
5	040002435	Air Filter		
6	040004104	Cabinet Assembly		
7	040001767	Front Lower Loved Panel / Grill		
8	040001994	Back Panel - Upper		
9		Back Panel - Lower		
9a	040002461	Back Panel - Lower - Air-cooled		
9b	040001921	Back Panel - Lower - Water-cooled		
10	5202069	Screw - #10-24 x 0.50" HEX		
11	040002930	Ice Scoop - UnderCounter		
12	040002033	Ice Scoop Holder- UnderCounter		
13		Legs - Refer to Sales Price List		
14	040002910	Bracket - Air Filter		
15	040002462	Bracket - Top Panel		
16		Side Panel Brackets		
16a	040003312	Bracket - Side Panel - Right		
16b	040003314	Bracket - Side Panel - Left		
17		Door Track Brackets		
17a	040002046	Bracket - Door Track - Right		
17b	040002047	Bracket - Door Track - Left		
18		Cabinet Track Brackets		
18a	040001773	Bracket - Cabinet Track - Right		
18b	040001774	Bracket - Cabinet Track - Left		
19	040002020	Bulkhead Gasket		[1]
20	040003585	Cartoning		

PART NOTES:

[1] - seals bulkhead to bin