



# TOAST-MAX<sup>®</sup>

## Electric Conveyor Toasters

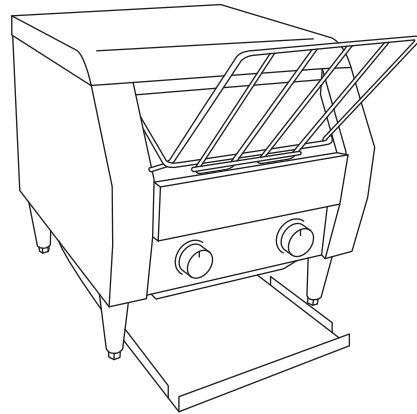
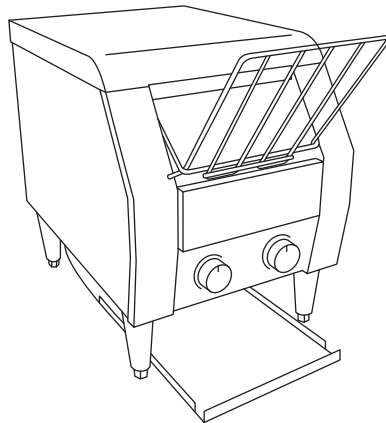
### *TM Series*

---

TM-5H

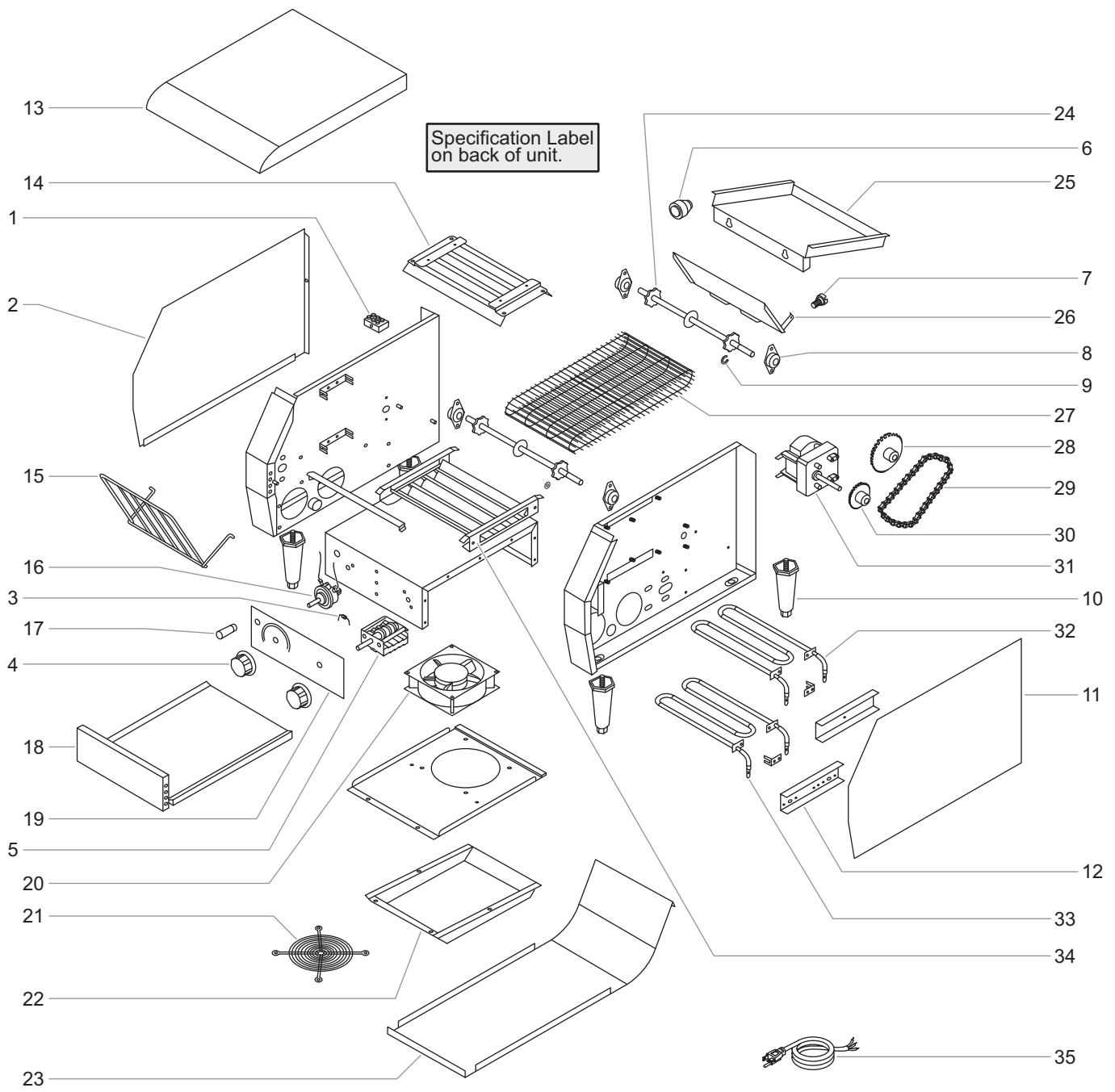
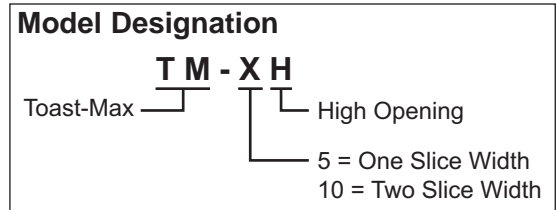
TM-10H

---



## REPLACEMENT PARTS LIST

**HATCO TOAST-MAX MODEL**  
**TM-5H, TM-10H Series**



**CAUTION**

Use of replacement parts other than those supplied by Hatco Corporation may result in damage to the unit or injury to personnel and will void all warranties.



## PARTS COMMON TO ALL TM-5, -10H MODELS

Item	Description	Part No.	Qty.	Item	Description	Part No.	Qty.
1	Terminal Block — 3 Pole	X02.15.052.00	1	7	Thumb Screw	X05.04.488.00	2
2	Side Panel (LH)	X04.05.436.00	1	8	Bearing Assembly	X05.02.024.00	4
3	Diode	X02.40.046.00	1	9	Retaining Ring	X05.03.043.00	1
4	Control Knob	X05.30.093.00	2	10	Leg, 10 cm (4")	X05.30.092.00	4
5	Selector Switch	X02.19.174.00	1	11	Side Panel (RH)	X04.05.437.00	1
6	Cord Grip	X02.20.322.00	1	12	Bracket, Heating Element	X04.05.449.00	2

NOTE: The last four digits in a ten digit numerical serial number are the manufacturing date code.

Example: Serial number 9625060007 has a date code of "0007" which indicates the following: 0007

Month Seven (July)  
Year 2000

Please note also, effective January 2001 the serial number date code was changed to indicate the week of manufacture.

Example: XXXXXX0131

Week Thirty-One  
Year 2001

PARTS SPECIFIC TO MODEL TM-5H				
Item	Description	100V 50 Hz	120V 60 Hz	220–240 (CE) 50 Hz
13	Top Cover with Insulation	X04.05.435.00	---	X04.05.435.00
14	Reflector, Upper Element	X04.05.525.00	---	X04.05.525.00
15	Wire Feed Ramp	X04.05.447.00	---	X04.05.447.00
16	Speed Control, Rheostat	X02.13.331.00	---	X02.13.330.00
17	Indicator Light, Green	X02.19.185.00	---	X02.19.175.00
	Indicator Light, Red (not shown)	X02.19.184.00	---	X02.19.176.00
18	Crumb Tray	X04.05.445.00	---	X04.05.445.00
19	Decal, Control	X07.03.465.00	---	X07.03.465.00
20	Fan, Circulating	X02.12.085.00	---	X02.12.082.00
21	Fan Guard	X02.12.084.00	---	X02.12.084.00
22	Cover, Cooling Fan	---	---	---
23	Discharge Chute	X04.05.443.00	---	X04.05.443.00
24	Shaft Assembly (Qty. 2)	X05.07.025.00	---	X05.07.025.00
25	Rear Discharge Tray	X04.05.439.00	---	X04.05.439.00
26	Discharge Vane	X04.05.440.00	---	X04.05.440.00
27	Wire Belt	X05.03.041.00	---	X05.03.041.00
28	Sprocket, Conveyor	X05.09.055.00	---	X05.09.055.00
29	Drive Chain†*	05.03.056.00	---	05.03.056.00
30	Sprocket, Motor*	X05.09.056.00	---	X05.09.056.00
31	Gear Motor	02.12.081.00	---	02.12.096.00
32	Heating Element, Upper, 700 Watt	X02.09.276.00	---	X02.09.258.00
33	Heating Element, Lower, 600 Watt	X02.09.277.00	---	X02.09.259.00
34	Reflector, Lower Element	X04.05.526.00	---	X04.05.526.00
35	Power Cord — Nema 5-15 Plug	02.18.154.00	---	---
	Power Cord — No Plug	---	---	X02.18.166.00
	Power Cord — BS1363 Plug*	---	---	X02.18.165.00
	Power Cord — Schuko Plug	---	---	X02.18.164.00
	Electrical Drawing	10-01-356	---	10-01-356

The shaded area contains information for **Export models only**.

† Drive Chain P/N 05.03.040.00 is used on TM-5H models manufactured before year 2005, week thirty-eight.

\* Units equipped with the BS1363 plug set use Motor Sprocket P/N X05.09.057.00 (14 tooth) and Drive Chain P/N X05.03.049.00.

**PARTS SPECIFIC TO MODEL TM-10H**

Item	Description	100V 50 Hz	120V 60 Hz	220-240 (CE) 50 Hz
13	Top Cover with Insulation	---	X04.05.434.00	X04.05.434.00
14	Reflector, Upper Element	---	X04.05.527.00	X04.05.527.00
15	Wire Feed Ramp	---	X04.05.488.00	X04.05.488.00
16	Speed Control, Rheostat	---	X02.13.331.00	X02.13.330.00
17	Indicator Light, Green	---	X02.19.185.00	X02.19.175.00
	Indicator Light, Red (not shown)	---	X02.19.184.00	X02.19.176.00
18	Crumb Tray	---	X04.05.444.00	X04.05.444.00
19	Decal, Control	---	X07.03.466.00	X07.03.466.00
20	Fan, Circulating	---	X02.12.085.00	X02.12.082.00
21	Fan Guard	---	---	---
22	Cover, Cooling Fan	---	X04.05.446.00	X04.05.446.00
23	Discharge Chute	---	X04.05.442.00	X04.05.442.00
24	Shaft Assembly (Qty. 2)	---	X05.07.026.00	X05.07.026.00
25	Rear Discharge Tray	---	X04.05.438.00	X04.05.438.00
26	Discharge Vane	---	X04.05.441.00	X04.05.441.00
27	Wire Belt	---	X05.03.042.00	X05.03.042.00
28	Sprocket, Conveyor	---	X05.09.055.00	X05.09.055.00
29	Drive Chain†*	---	05.03.056.00	05.03.056.00
30	Sprocket, Motor*	---	X05.09.056.00	X05.09.056.00
31	Gear Motor	---	02.12.081.00	02.12.096.00
32	Heating Element, Upper, 1000 Watt	---	X02.09.263.00	X02.09.260.00
33	Heating Element, Lower, 900 Watt	---	X02.09.265.00	X02.09.261.00
34	Reflector, Lower Element	---	X04.05.528.00	X04.05.528.00
35	Power Cord — Nema 5-15 Plug	---	02.18.154.00	---
	Power Cord — No Plug	---	---	X02.18.166.00
	Power Cord — BS1363 Plug*	---	---	X02.18.165.00
	Power Cord — Schuko Plug	---	---	02.18.164.00
	Electrical Drawing	---	10-01-356	10-01-356

The shaded areas contain information for **Export models only**.

† Drive Chain P/N 05.03.044.00 is used on TM-10H models manufactured before year 2005, week thirty-eight.

\* Units equipped with the BS1363 plug set use Motor Sprocket P/N X05.09.057.00 (14 tooth) and Drive Chain P/N X05.03.049.00.

HATCO CORPORATION  
P.O. Box 340500  
Milwaukee, WI 53234-0500 U.S.A.  
Telephone (414) 671-6350  
International Fax (414) 671-3976  
www.hatcocorp.com

HATCO CORPORATION  
ASIA HEADQUARTERS  
Unit 101, Premier Center, 20 Cheung Shun Street  
Cheung Sha Wan, Kowloon, H.K.  
Telephone (852) 2991-4121  
Fax (852) 2991-4181  
hongkong@hatcocorp.com