

Spare Parts Catalogue

RC411

- 1 - Hood
- 2 - Tank
- 3 - Handle
- 4 - Wash and rinse column
- 5 - Rinse
- 6 - Wash arm
- 7 - Pump
- 8 - Control box
- 9 - Detergent dispenser
- 10 - Rinse aid injector
- 11 - Drain pump kit

342578 (Coibentata - Isolee
Insulate Isoliert - Aislamiento)
342572

411002

200925

323539

352070

331225

160811

190638

190637

361069/1

390195

180642

361824

361825 (RCD)

200964

342571

352114

361094

390196

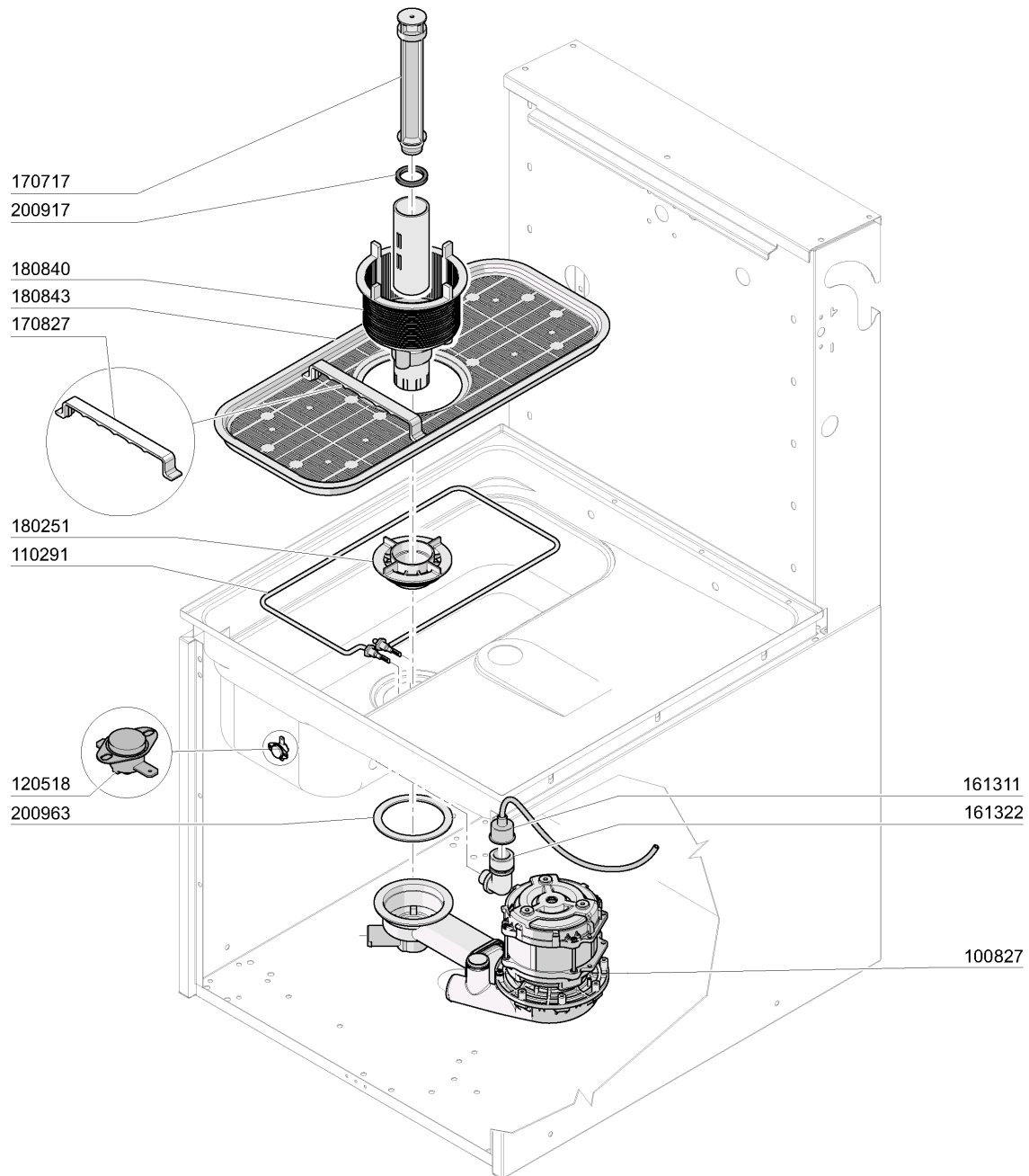
120366

324166

11 - 2010 M. S.

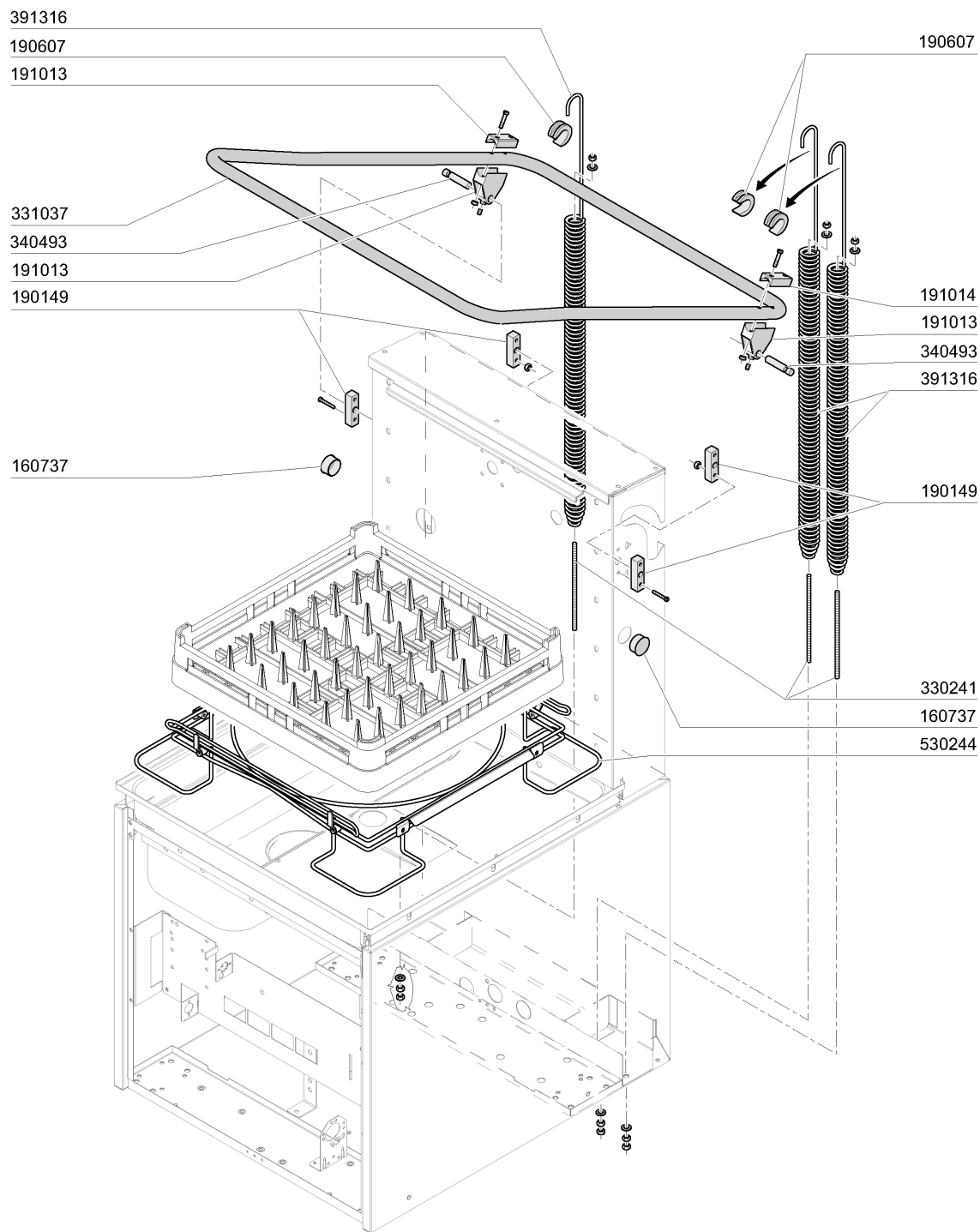
1 - Hood

| CODE | DESCRIPTION |
|-------------|---------------------------|
| 120366 | MAGN.SENSOR |
| 160811 | WASHER F2 18X8.5X1 ALGOF |
| 180642 | GUIDE |
| 190637 | GUIDE FOR DOOR "C" |
| 190638 | ROLLER FOR "C" DOOR GUIDE |
| 200925 | GASKET |
| 200964 | GASKET 618X14 SP.2 |
| 323539 | BRACKET |
| 324166 | BRACKET |
| 331225 | ADJUSTABLE FEET |
| 342571 | TANK |
| 342572 | HOOD |
| 342578 | ISULATED HOOD |
| 352070 | FRONT PANEL |
| 352114 | FRONT PANEL |
| 361069/1 | COVER |
| 361094 | BASEMENT |
| 361824 | BACK PANEL |
| 361825 | BACK PANEL |
| 390195 | UPPER BACK PANEL |
| 390196 | LOWER BACK PANEL |
| 411002 | PERMANENT MAGNET 24X12 |



2 - Tank

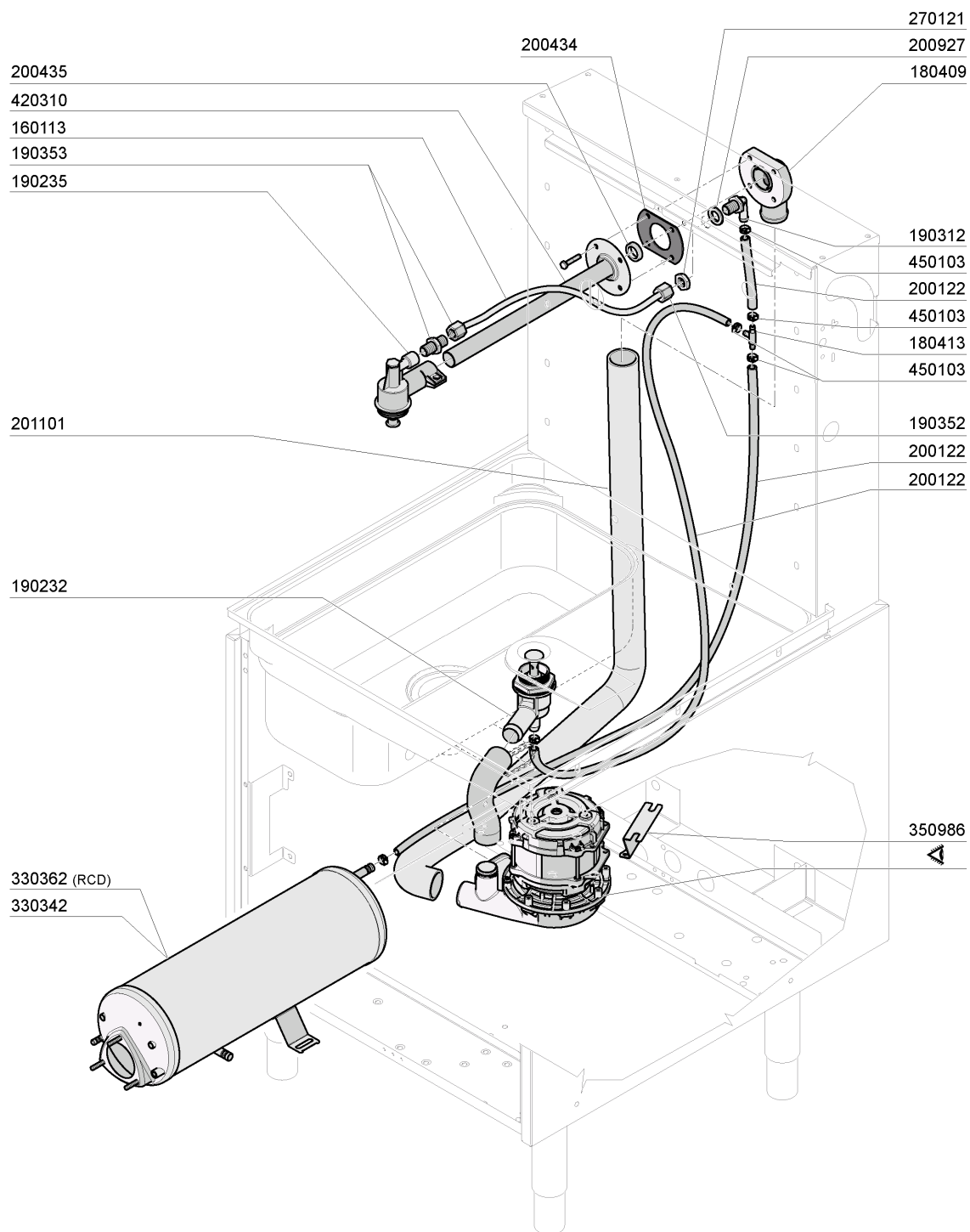
| CODE | DESCRIPTION |
|--------|--------------------------------|
| 100827 | WASH PUMP HP0,6 FC2006 |
| 110291 | HEATER 2000W |
| 120518 | TANK THERMOSTAT FOR R50 |
| 161311 | HOSE FOR AIR CHAMBER BC-BR-AC9 |
| 161322 | AIR TRAP FC2006 |
| 170717 | OVERFLOW PIPE FC2006 |
| 170827 | FILTER HANDLE |
| 180251 | FIXING NUT FOR PUMP FC2006 |
| 180840 | FCM FILTER |
| 180843 | FILTER |
| 200917 | GASKET FOR OVERFLOW PIPE BR-BC |
| 200963 | JOINT 110X88X3 |



3 - Handle

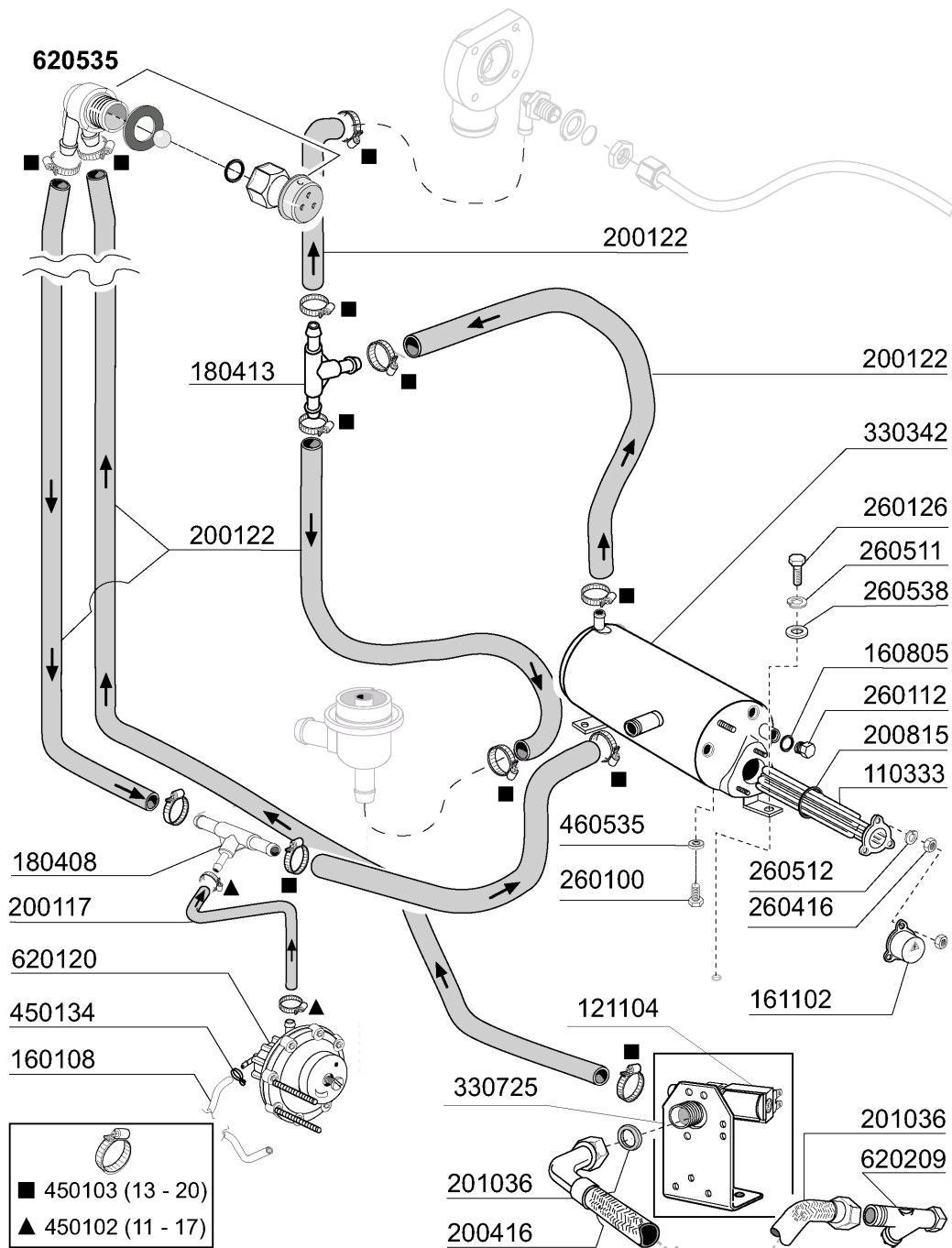
| CODE | DESCRIPTION |
|-------------|--------------------------------|
| 160737 | PLUG HEYCO D.34,9 |
| 190149 | REINFORCEMENT FOR HANDLE SUPP. |
| 190607 | HANDLE BUSH C30-70 |
| 191013 | HINGE F. SUPPORT C30-C70 |
| 191014 | FLANGE F. HANDLE C30-70 |
| 330241 | SPRING ROD |
| 331037 | HANDLE C95-155-165 ISOLATED |
| 340493 | PIN F. HINGE C30 |
| 391316 | SPRING FOR HANDLE C85/140-G75 |
| 530244 | RACK SUPPORT |

4 - Wash and rinse column



4 - Wash and rinse column

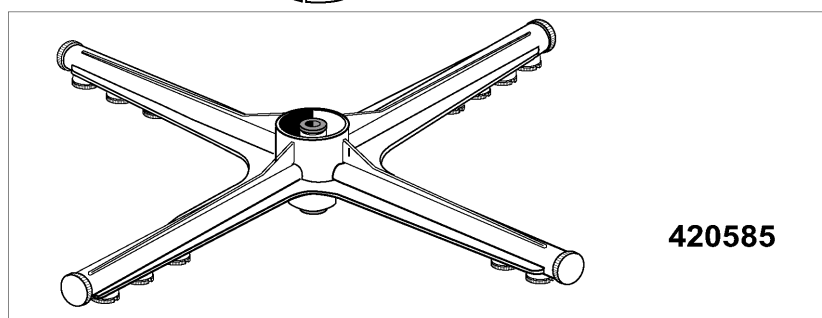
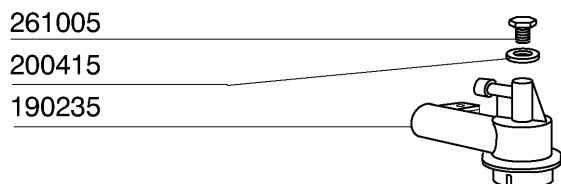
| CODE | DESCRIPTION |
|--------|--------------------------------|
| 160113 | TUBE IN POL. RETIC. 12 EST |
| 180409 | UPPER CONNECTOR F. WASHING C30 |
| 180413 | TEE NIPPLE D.11,5 - RINSE ASSE |
| 190232 | LOWER ARM SUPPORT FC2006 |
| 190235 | UPPER ARM SUPPORT |
| 190312 | NIPPLE CONNECTION 1/2" |
| 190352 | CONNECTION |
| 190353 | CONNECTION |
| 200122 | HOSE 11X19 |
| 200434 | GASKET CONNECTION C30 R50 |
| 200435 | GASKET WASH.F2 D.40 C30-70 |
| 200927 | GASKET FOR AIR TRAP |
| 201101 | OUTLET HOSE |
| 270121 | NUT FOR AIR TRAP |
| 330342 | BOILER C95-C155-C165 |
| 330362 | BOOSTER FOR BREAK TANK |
| 350986 | PUMP SUPPORT |
| 420310 | LOW./UPP.WASH PIPE C30 - 70 |
| 450103 | CLAMP FE ZN. 13-20 H=9 |



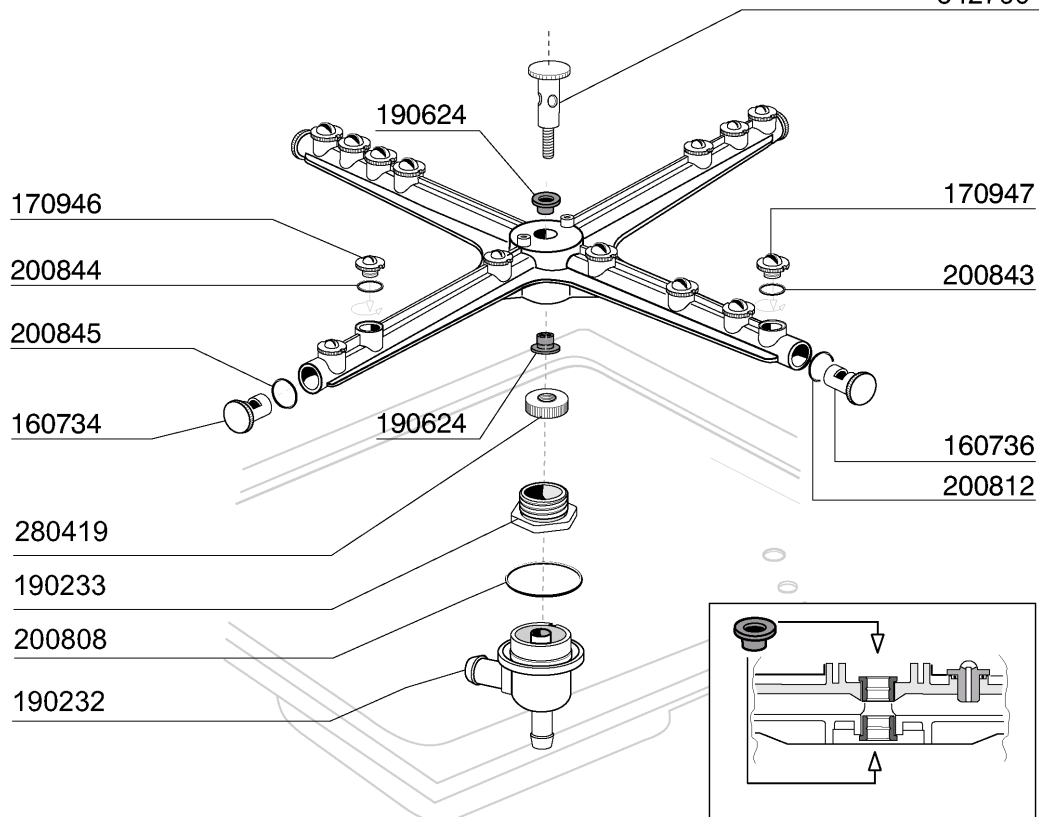
10 - 2010 | M. SA.

5 - Rinse

| CODE | DESCRIPTION |
|--------|--------------------------------|
| 110333 | HEATER 7KW 230/400V |
| 121104 | SOLENOID VALVE 8 LT/M |
| 160108 | INJECT.INLET HOSE D.8X5 |
| 160805 | GASKET D.8 |
| 161102 | ELEMENT COVER MOPL. |
| 180408 | TEE-NIPPLE F.INJECT.W/CENTR.RE |
| 180413 | TEE NIPPLE D.11,5 - RINSE ASSE |
| 200117 | RUBBER HOSE 7X16 |
| 200122 | HOSE 11X19 |
| 200416 | GASKET D. 3/4" |
| 200815 | O-RING F. HEAT.ELEM. |
| 201036 | INLET HOSE 2 MT |
| 260100 | SCREW TE 6X8 INOX |
| 260112 | STAINLESS STEEL TE-SCREW 8X16 |
| 260126 | SCREW TE 5X12 |
| 260416 | STAINLESS STEEL NUTS M6 |
| 260511 | GROWER WASHER D.5 |
| 260512 | ST/ST GROWER WASHER D6 |
| 260538 | WASHER 18X6X1,5 ST/ST |
| 330342 | BOILER C95-C155-C165 |
| 330725 | STANDARD BRACKET F.SOLEN.VALV |
| 450102 | CLAMP FE ZN 11-17 H=9 |
| 450103 | CLAMP FE ZN. 13-20 H=9 |
| 450134 | ELASTIC HOSE CLIP D.9,3/8,8 |
| 460535 | GASKET FOR BOILER PLUG BHC |
| 620120 | RINSE AID INJECTOR |
| 620209 | INLET WATER FILTER |
| 620535 | VACUUM BREAKER |



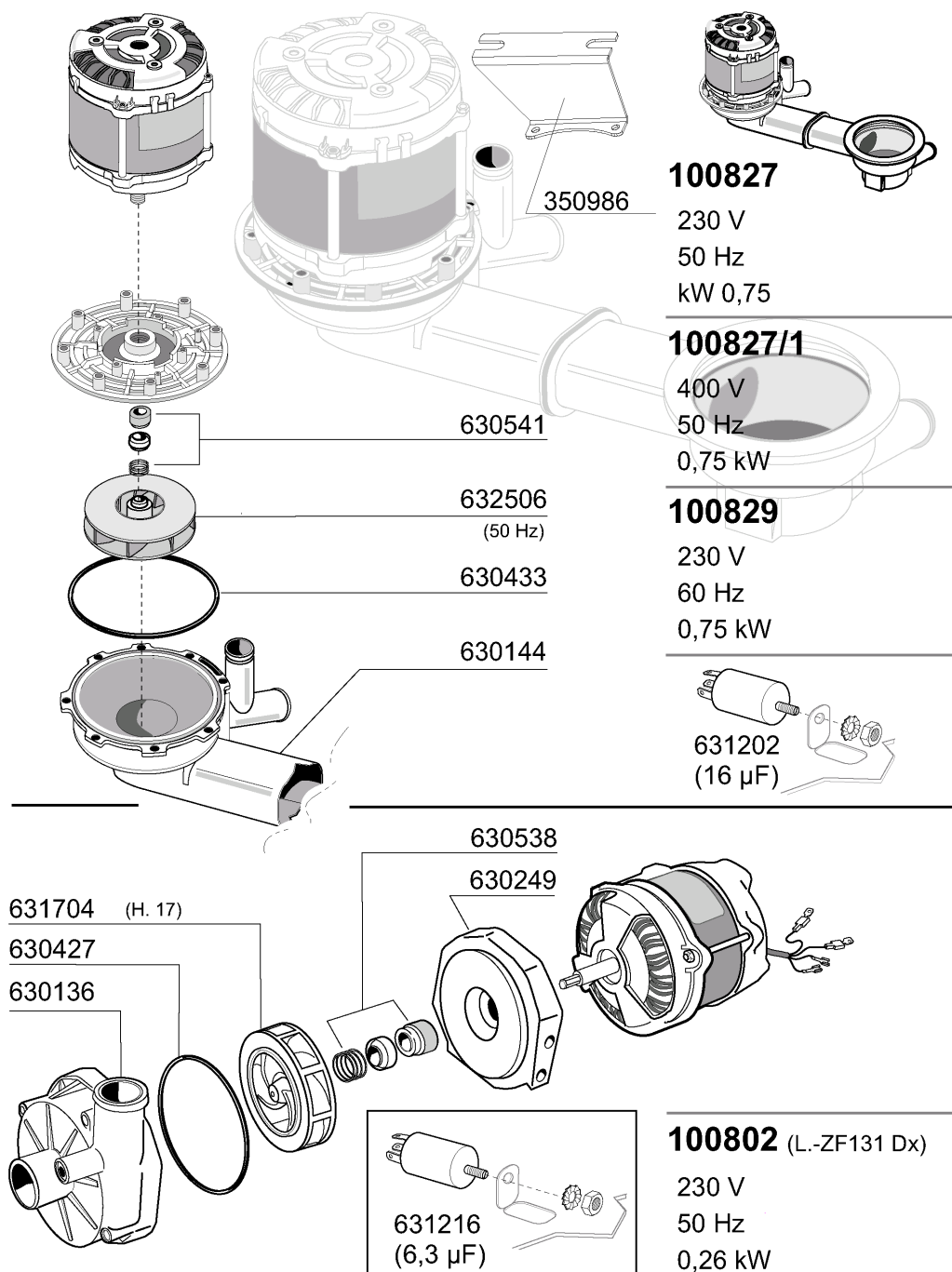
342790



10 - 2010 | M.S

6 - Wash arm

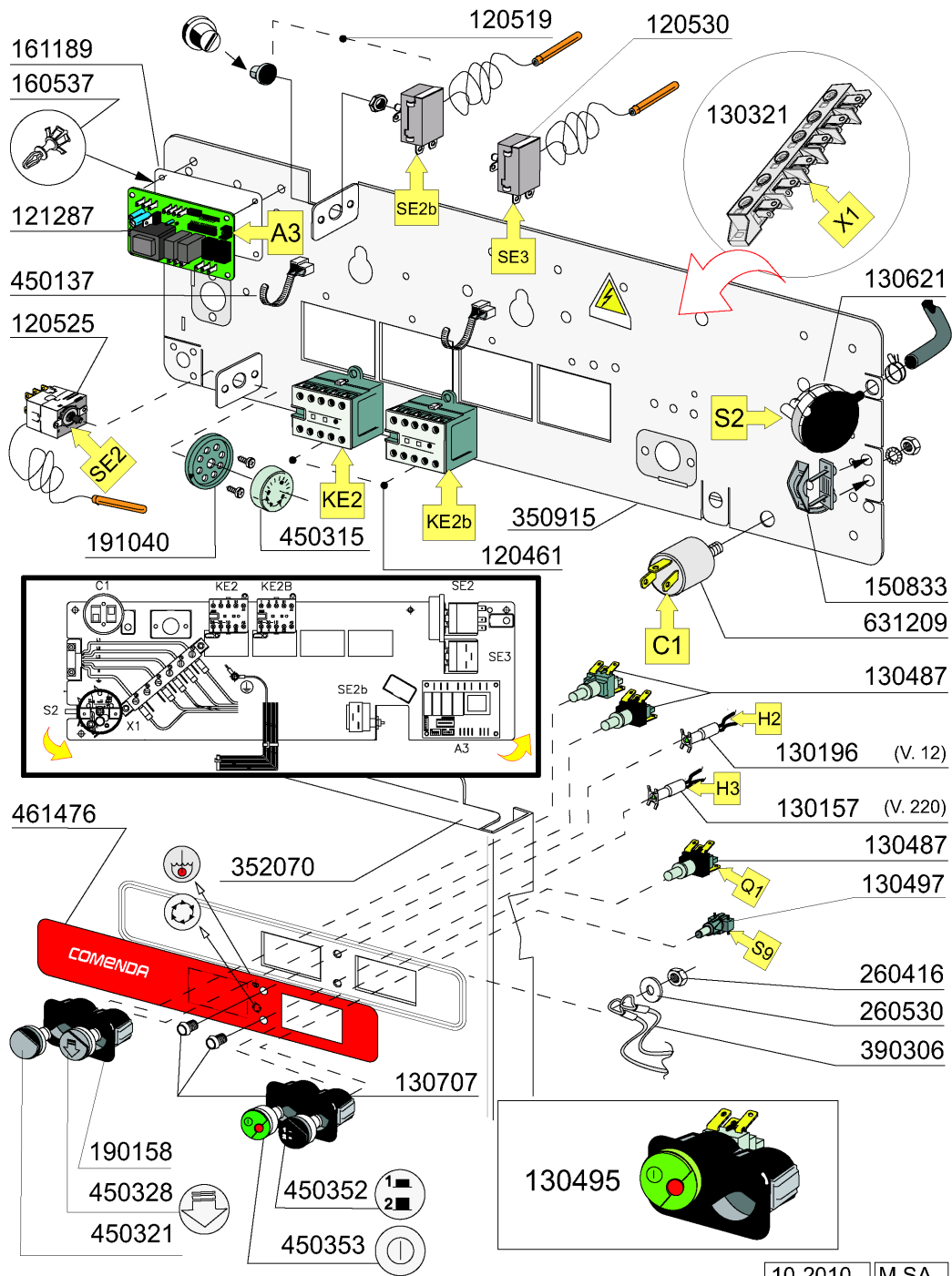
| CODE | DESCRIPTION |
|-------------|-------------------------------|
| 160734 | END PLUGS RINSE ARM |
| 160736 | WASH ARM PLUG F45 |
| 170946 | RINSE JET/RINSE ARM B-F |
| 170947 | WASH JET/WASH ARM F45-80 |
| 190232 | LOWER ARM SUPPORT FC2006 |
| 190233 | ARM SUPPORT |
| 190235 | UPPER ARM SUPPORT |
| 190624 | BUSH FOR PLASTIC ARM F45 |
| 200415 | AIR TRAP GASKET -F2 18,5X10X3 |
| 200808 | OR GASKET 3,53X50,80X57,86 |
| 200812 | O-RING 1,78X17,17X20,73 |
| 200843 | O RING 2X13X17 |
| 200844 | O RING 2X9,5X13,5 |
| 200845 | O RING 109 2,62X9,13X14,37 |
| 261005 | SCREW F. TEE UP.WASH F2-B41 |
| 280419 | LOCK NUT |
| 342790 | RINSE SUPPORT |
| 420585 | WASH ARM RC411 |



10 - 2010 | M. SA.

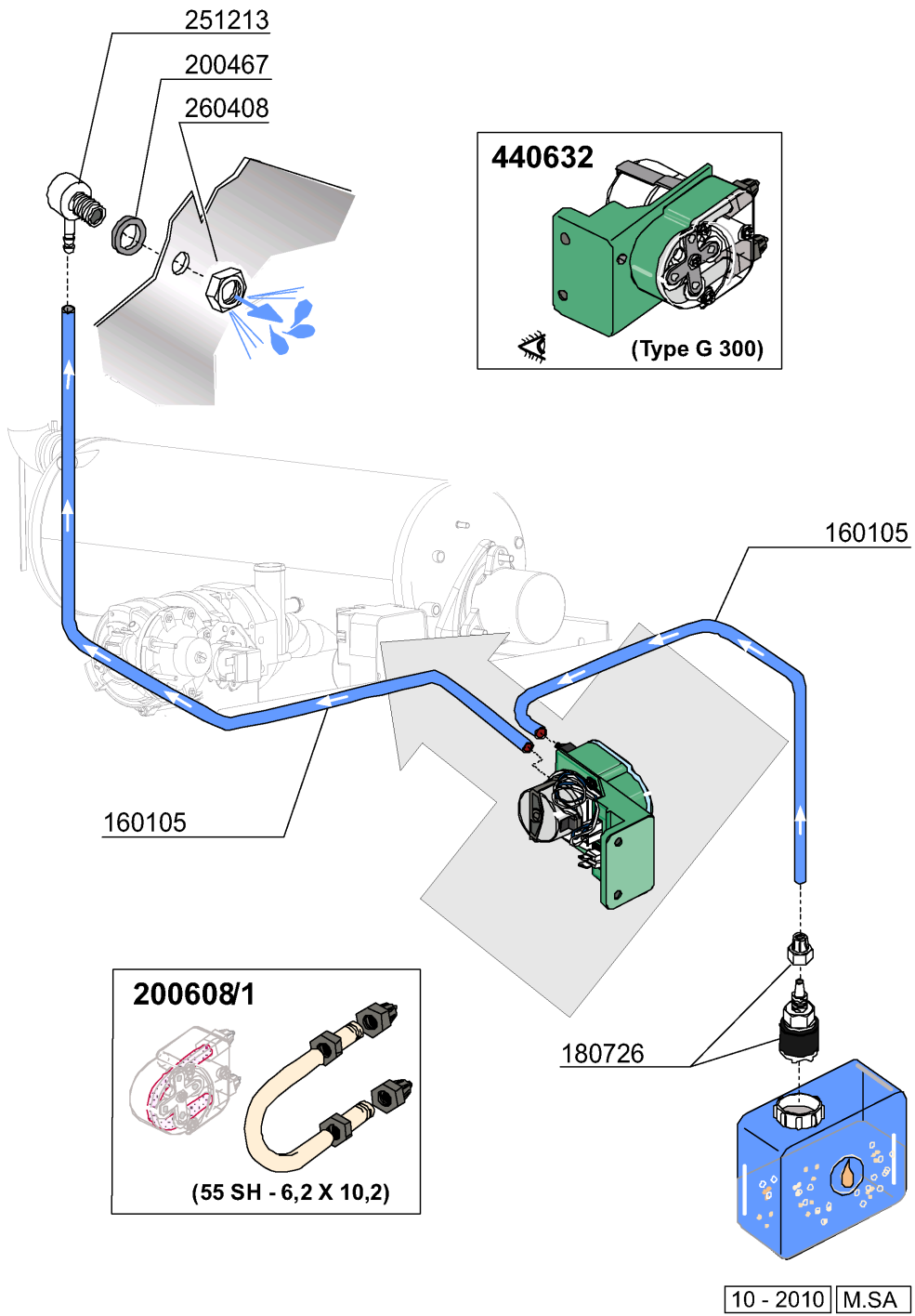
7 - Pump

| CODE | DESCRIPTION |
|-------------|-------------------------------|
| 100802 | PUMP HP 0,3 230V-50HZ |
| 100827 | WASH PUMP HP0,6 FC2006 |
| 100827/1 | PUMP HP 0,6 LGB FC06 400/3/50 |
| 100829 | PUMP HP 0,6 LGB FC06 60HZ |
| 350986 | PUMP SUPPORT |
| 630136 | PUMP VOLUTE LGB ZF131DX |
| 630144 | PUMP VOLUTE |
| 630249 | PUMP FLANGE ZF131 DX |
| 630427 | O-RING FOR PUMP ZF131DX |
| 630433 | GASKET FOR PUMP 100827 |
| 630538 | SEAL LGBZF131DX |
| 630541 | SEAL FOR PUMP 100827 |
| 631202 | CONDENSER 16 MF 450V |
| 631216 | CAPACITOR 6.3 MF 450V |
| 631704 | PUMP IMPELLER ZF131DX |
| 632506 | PUMP IMPELLER 100827 50HZ |



8 - Control box

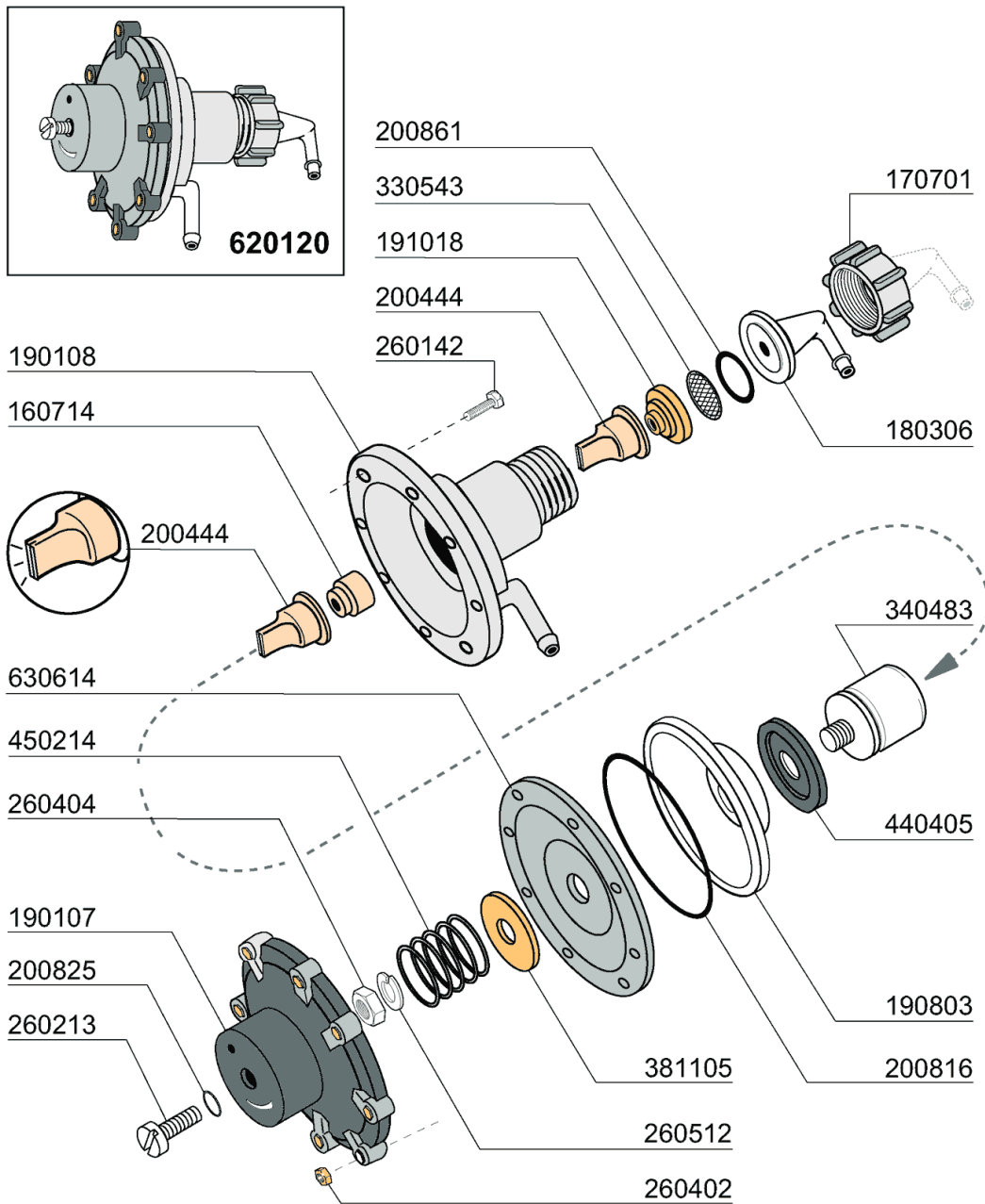
| CODE | DESCRIPTION |
|--------|--------------------------------|
| 120461 | CONTACTOR ABB B6-30-01 220V |
| 120519 | SECURITY THERMOSTAT 95-125Ø |
| 120525 | BOOSTER THERMOSTAT 2 TEMPERAT. |
| 120530 | THERMOSTAT 0-90Ø |
| 121287 | ELECTRONIC TIMER |
| 130157 | GREEN LED FOR BR-BC-C-SERIES - |
| 130196 | GREEN LAMP |
| 130321 | JUNCTION BOX 6 CONNECTORS |
| 130487 | SWITCH |
| 130495 | SWITCH ON/OFF |
| 130497 | DISTANZIALE TAPPO PULSANTIERA |
| 130621 | PRESSURE SWITCH FOR BC HR 45/2 |
| 130707 | TRANSPARENT LENS COVERS (C-SER |
| 150833 | CABLE HOLDER BC/BR |
| 160537 | ELECTRONIC CARD SPACER |
| 161189 | COVER |
| 190158 | SUPPORT |
| 191040 | FRAME F.THERMOSTAT KNOB |
| 260416 | STAINLESS STEEL NUTS M6 |
| 260530 | STAINL.ST WASHER 7X22X2 |
| 350915 | CONTROL PANEL SUPPORT |
| 352070 | FRONT PANEL |
| 390306 | CABLE |
| 450137 | COLLAR CONNECTION WITH BASE 31 |
| 450315 | KNOB F. THERMOSTAT 90Ø |
| 450321 | GREY COVER FOR PUSH BUTTON BR- |
| 450328 | DRAIN SWITCH |
| 450352 | PUSH BUTTON "CYCLE" |
| 450353 | GREEN ON/OFF SWITCH |
| 461476 | LABEL COMENDA/CHINA |
| 631209 | ANTI-NOISE FILTER |



9 - Detergent dispenser

| CODE | DESCRIPTION |
|----------|--------------------------------|
| 160105 | INJECT.INLET HOSE D.6X4 |
| 180726 | STREINER FOR RINSE AID INJECTO |
| 200467 | DUTRAL GASKET F. AIR TRAP |
| 200608/1 | HOSE FOR DISPENSER GERMAC G300 |
| 251213 | INJECTIOR S/S FOR DETERGENT IN |
| 260408 | S/S NUTS D.12 |
| 440632 | DETERGENT INJECTOR |

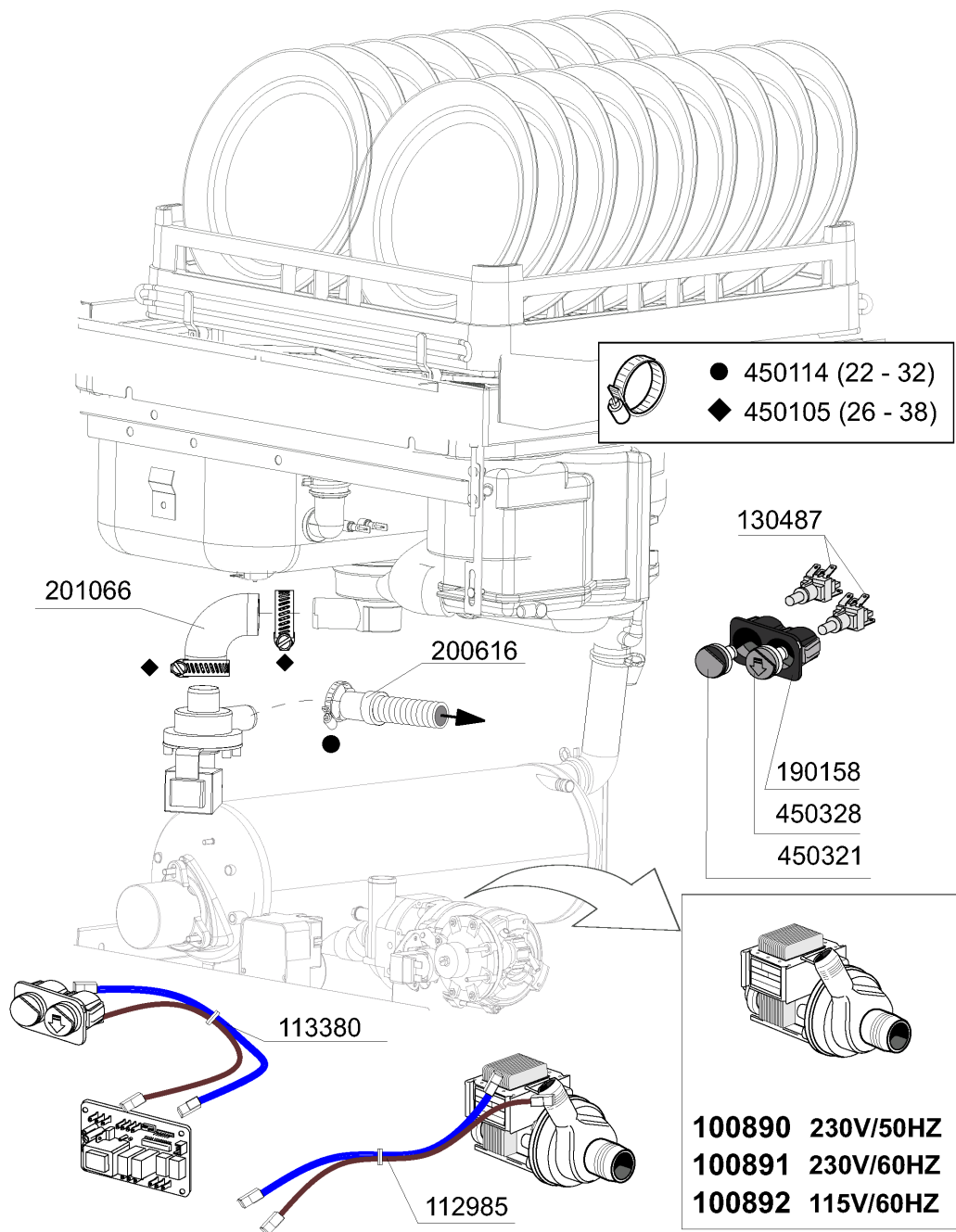
10 - Rinse aid injector



09 - 2007 | S. AG.

10 - Rinse aid injector

| CODE | DESCRIPTION |
|--------|--------------------------------|
| 160714 | PLUG FOR RINSE AID INJECTOR MO |
| 170701 | LOCK NUT 1/2" F.INJECTOR |
| 180306 | NIPPLE F.RINSE AID INJECTOR |
| 190107 | COVER FOR RINSE AID DISPENSER |
| 190108 | VOLUTE FOR RINSE AID DISPENSER |
| 190803 | GASKET SUPPORT RING F.INJECT |
| 191018 | FILTER SUPPORT RINSE AID INJEC |
| 200444 | SUCTION VALVE RINSE INJECTOR |
| 200816 | O-RING 2,5X59,2X64,2 RINSE INJ |
| 200825 | O-RING 3X5X11 RINSE INJECTOR |
| 200861 | O-RING 14X18X2 |
| 260142 | SCREW TE 4X16 |
| 260213 | SCREW TCP 5X25 |
| 260402 | STAINLESS STEEL NUT D4 UNI 55 |
| 260404 | STAINLESS STEEL NUTS D6 UNI 55 |
| 260512 | ST/ST GROWER WASHER D6 |
| 330543 | FILTER RINSE AID INJECTOR D.17 |
| 340483 | PISTON FOR RINSE AID DISPENSER |
| 381105 | DIAPHRAGME DISC |
| 440405 | GASKET FOR RINSE AID INJ. |
| 450214 | SPRING RINSE AID INJECTOR |
| 620120 | RINSE AID INJECTOR |
| 630614 | DIAPHRAGM RINSE INJECTOR |



10 - 2010 | M.S.A.

11 - Drain pump kit

| CODE | DESCRIPTION |
|-------------|--------------------------------|
| 100890 | DRAIN PUMP 30W 220/50 |
| 100891 | DRAIN PUMP 30W 220/60 |
| 100892 | DRAIN PUMP 30W 115V/1/60HZ |
| 112985 | WIRING DRAIN PUMP LB |
| 113380 | CABLE |
| 130487 | SWITCH |
| 190158 | SUPPORT |
| 200616 | DRAIN HOSE 3MT FCM |
| 201066 | INLET HOSE LB DRAIN PUMP |
| 450105 | CLAMP FE ZN. 26-38 H=12,2 |
| 450114 | CLAMP FE ZN.22-32 H=12,2 |
| 450321 | GREY COVER FOR PUSH BUTTON BR- |
| 450328 | DRAIN SWITCH |