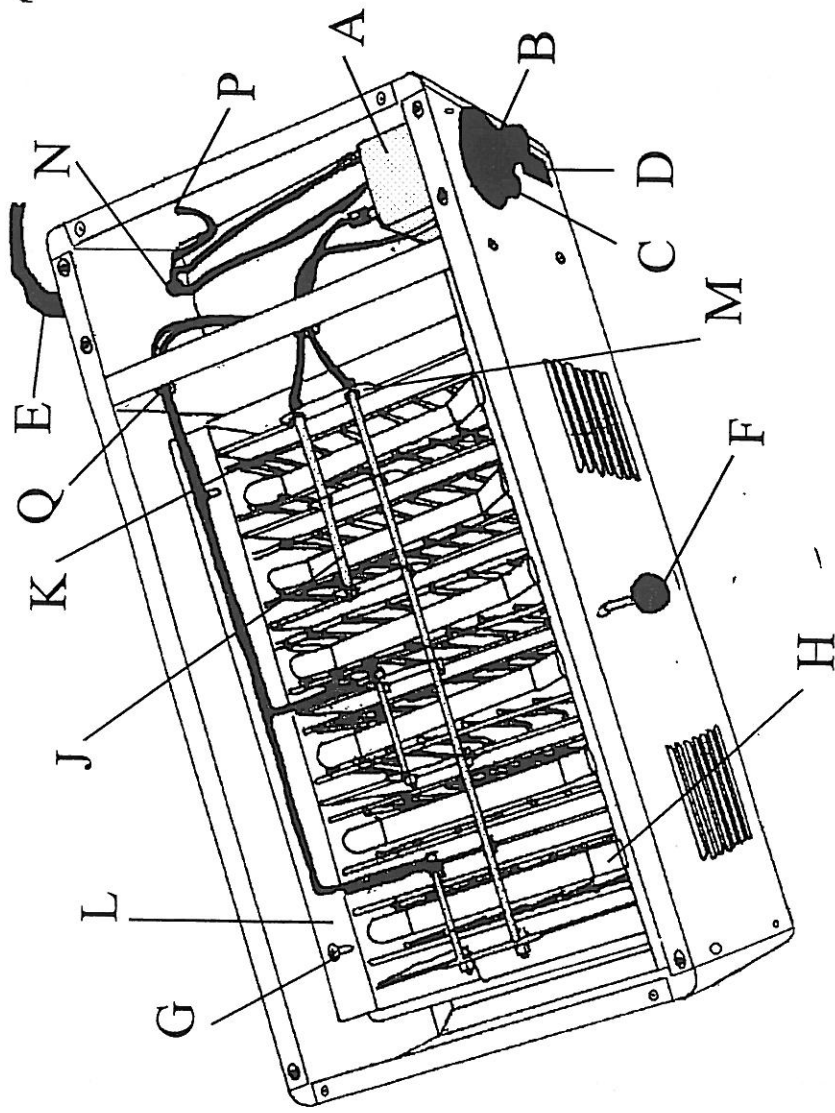


EXPLODED DIAGRAM - PREMIER COLLECTION

A	TIMER
B	TIMER KNOB
C	NEON
D	SELECTOR SWITCH
E	POWER CORD
F	EJECTOR ASSEMBLY
G	RETAINING BAR SCREW
H	FINGER BAR
J	ELEMENT LINK
K	GUARD WIRE
L	RETAINING BAR
M	ELEMENT
N	CABLE BUSH
P	EARTH SCREW
Q	GROMMET

REDRAWN: RWT APRIL 1999
 SKETCH - DO NOT SCALE
 6 SLOT ILLUSTRATED (BOTTOM
 UP BASE REMOVED)



Rowlett Rutland Ltd
 Unit 32 Bookham Industrial Park, Church Road, Bookham Sy KT23 3EU
 Tel: +44 (0) 1372 453633 Fax: +44 (0) 1372 453536
 Email: info@rowletrutland.co.uk