



WELLS MANUFACTURING COMPANY
2 ERIK CIRCLE, P. O. Box 280
Verdi, NV 89439
telephone: 775-689-5700
fax: 888-492-2783
www.wellsbloomfield.com

SERVICE PARTS LIST PL101

COUNTERTOP ELECTRIC GRIDDLES

Models:
G-13, G-19
G-23, G-24, G-60

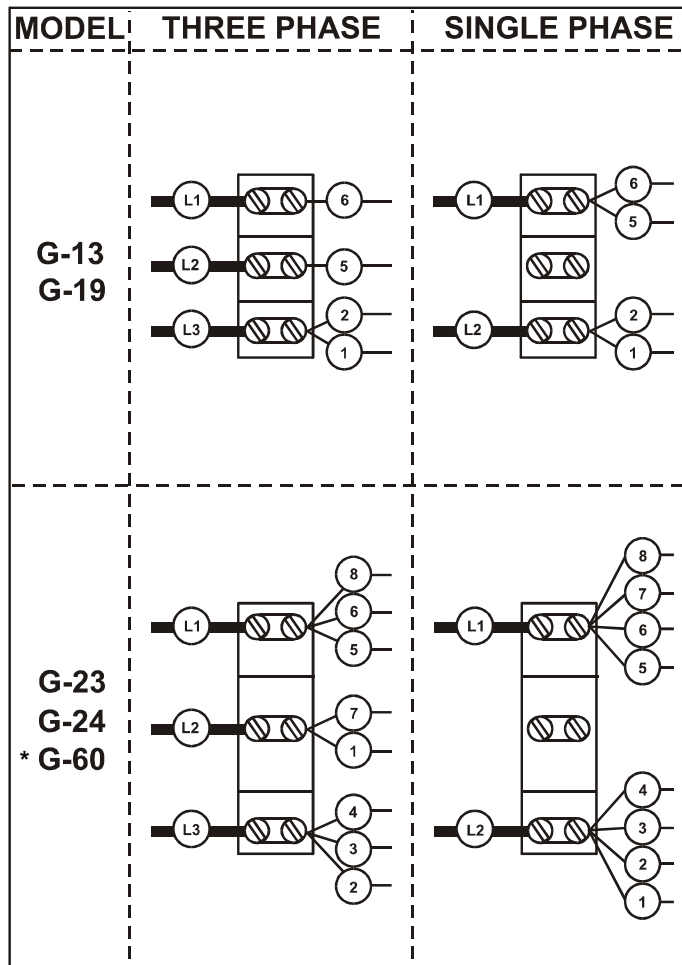
CONTENTS

Description	page
Parts List	2
General Information	3
Models:	
G-13 Heating Elements	4
Cabinet & Electrical	5
G-19 Heating Elements	6
Cabinet & Electrical	7
G-23 Heating Elements	8
Cabinet & Electrical	9
G-24 Heating Elements	10
Cabinet & Electrical	11
G-60 Heating Elements	12
Cabinet & Electrical	13

PART #	DESCRIPTION	PART #	DESCRIPTION	PART #	DESCRIPTION
OPTIONAL ACCESSORIES		MECHANICAL		HARDWARE, etc.	
20314	FEET, ADJ 4" GRAY PLASTIC (pk4)	50256	TRIM RING, THERMO	51040	BUSHING HEYCO 7/8"
20563	FEET, ADJ 4" METAL (pk4)	50259	KNOB, THERMO	51053	NUT 8-32 HEX MS KEPS Ni (pk100)
20632	SPLASH GUARD ASSY G-13	50279	GREASE DRAWER ASSY COMPLETE	51253	NUT 1/4-20 HEX MS Ni (pk100)
20634	SPLASH GUARD ASSY G-19	51968	CLAMP, ELEM CTR SMALL	51718	SCREW 6-32 x 3-16 PH TR MS Ni
20635	SPLASH GUARD ASSY G-23	51969	CLAMP, ELEM END SMALL	53474	CLIP, INSULATION TIE-DOWN (pk12)
20636	SPLASH GUARD ASSY G-24	51971	TUBE, THERMO 24"	52040	SLEEVEING, GLASS (pk 6 ft.)
20637	SPLASH GUARD ASSY G-60	51972	TUBE, THERMO 18"	53935	SCREW 6ABx5/16 PAN SMS Zi
		51973	HANDLE, GREASE DRAWER	54284	POP RIVET 3/32Dx1/8
		51974	SHIELD, THERMO FISHPAPER	55135	SCREW 6-32x1/4 FIL MS Ni (pk25)
		51989	SHROUD, GREASE DRAWER	57463	NUT, 8-32 LONG TNR (pk10)
		51995	COVER, GREASE DRAWER	55313	NUT 10-32 HEX MS Ni
ELECTRICAL		52025	CLAMP, ELEM PERIM	55736	NUT 8-32 KEPS GREEN (pk10)
50131	TERMINAL BLOCK 3P 85 AMP	52026	CLAMP, ELEM RT	57407	INSULATION FG 1"x24"x48"
50527	THERMOSTAT, CONTROL	52027	CLAMP, ELEM LF	61974	NUT 8-32x7/8 LONG Alu
50496	ELEMENT 2250W 240V (G-13)	52028	CLAMP, THERMO BULB		
50507	ELEMENT 1000W 240V PERIM (G-24)	52037	CLAMP, ELEM CTR LARGE		
50508	ELEMENT 800W 240V PERIM (G-23, -60)	52038	CLAMP, ELEM END LARGE		
50509	ELEMENT 3800W 240V (G-23, -60)	53848	TRADEMARK DOMED LABEL		
50510	ELEMENT 3800W 208V (G-23, -60)	53948	PANEL, GREASE DRAWER FRONT		
50511	ELEMENT 3000W 208V (G-19)	54436	SPLASHGUARD, REAR (G-19, -23)		
50512	ELEMENT 3000W 240V (G-19)	54437	SPLASHGUARD, REAR (G-13)		
50513	ELEMENT 2500W 208V (G-24)	54439	SPLASHGUARD, REAR (G-24)		
50516	LIGHT SIGNAL AMBER 240V	55663	GRIDDLE PLATE ASSY (G-13)		
50520	ELEMENT 2500W 240V (G-24)	55665	GRIDDLE PLATE ASSY (G-19)		
51276	TERMINAL BLOCK 3P 125A	55666	GRIDDLE PLATE ASSY (G-23)	LITERATURE & DOCUMENTATION	
51428	ELEMENT 3800W 480V (G-23, -60)	55667	GRIDDLE PLATE ASSY (G-24)	31274	WIRING DIAGRAM G-19
51495	ELEMENT 800W 480V PERIM (G-23, -60)	55668	GRIDDLE PLATE ASSY (G-60)	31275	WIRING DIAGRAM G-23
51498	ELEMENT, 1000W 480V PERIM (G-24)	55780	SPLASHGUARD, RT (G-13, -19)	32064	WIRING DIAGRAM G-60
52054	JUMPER, ELEM SHORT (pk10)	55781	SPLASHGUARD, LF (G-13, -19)	48929	WIRING DIAGRAM G-13
57465	TERMINAL BLOCK 3P 115A	55782	SPLASHGUARD, RT (G-23, -24, -60)	48930	WIRING DIAGRAM G-24
60436	LIGHT SIGNAL AMBER 480V	55783	SPLASHGUARD, LF (G-23, -24, -60)	303339	OPMANUAL ELECT GRIDDLE
68903	ELEMENT, 2500W 480V (G-24)				
68904	ELEMENT 2250W 480V (G-13)				

FIELD CONVERSION FROM 3-PHASE TO SINGLE-PHASE

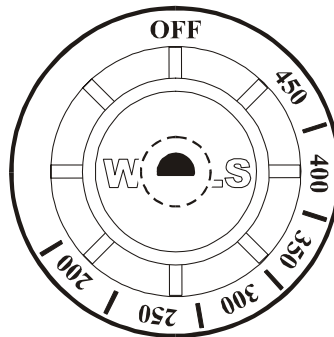
Griddles are shipped from the factory wired for 3-phase power, 208 volt and 240 volt griddles are field convertible to single-phase.



***NOTE:** G-60 has 2 separate electrical supplies

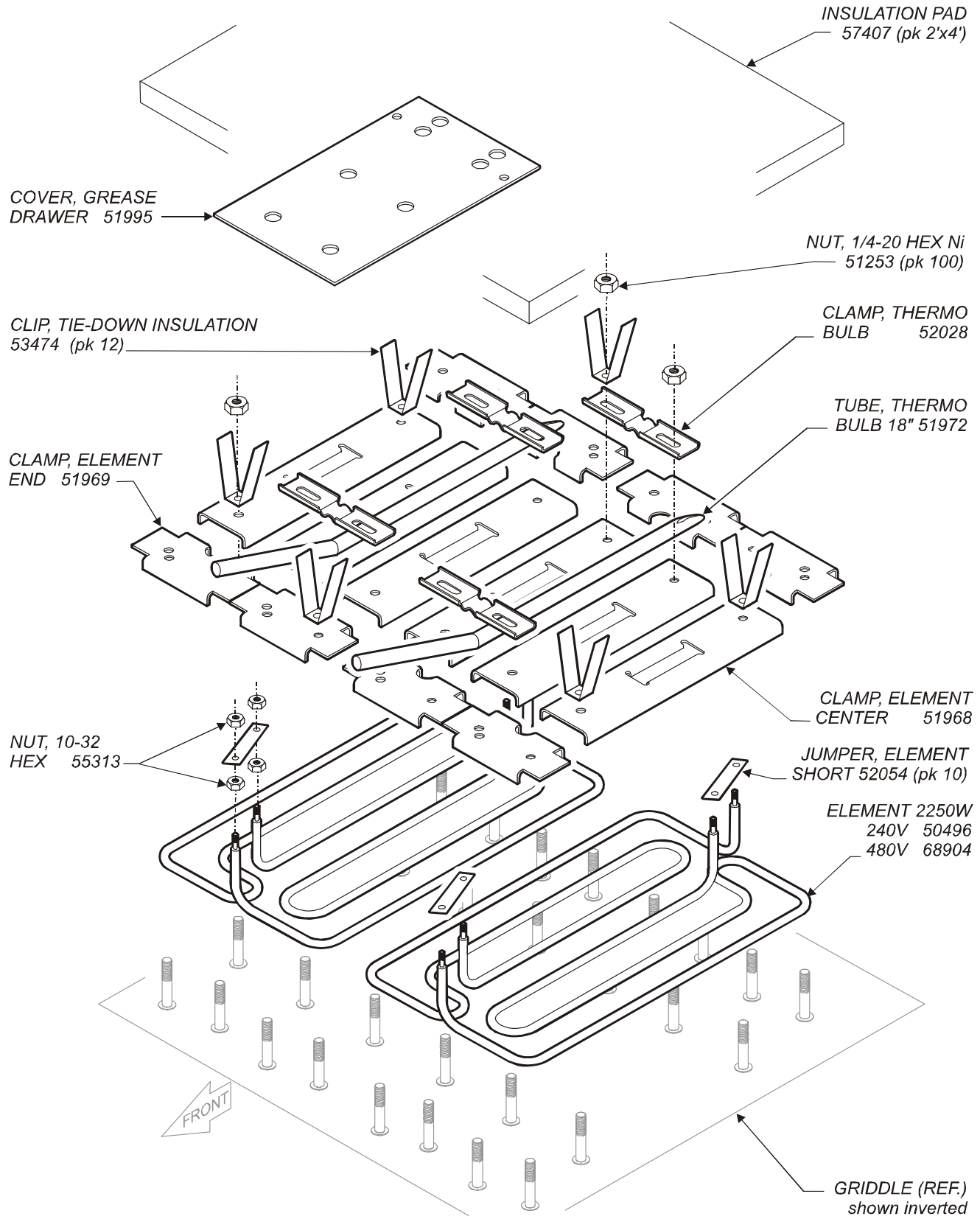
CONTROL KNOB CONFIGURATION

For all models, control knob p/n 50259 is marked in degrees Fahrenheit from 200°F to 450°F. When the thermostat is *OFF*, the flat of the control shaft is positioned on the bottom.

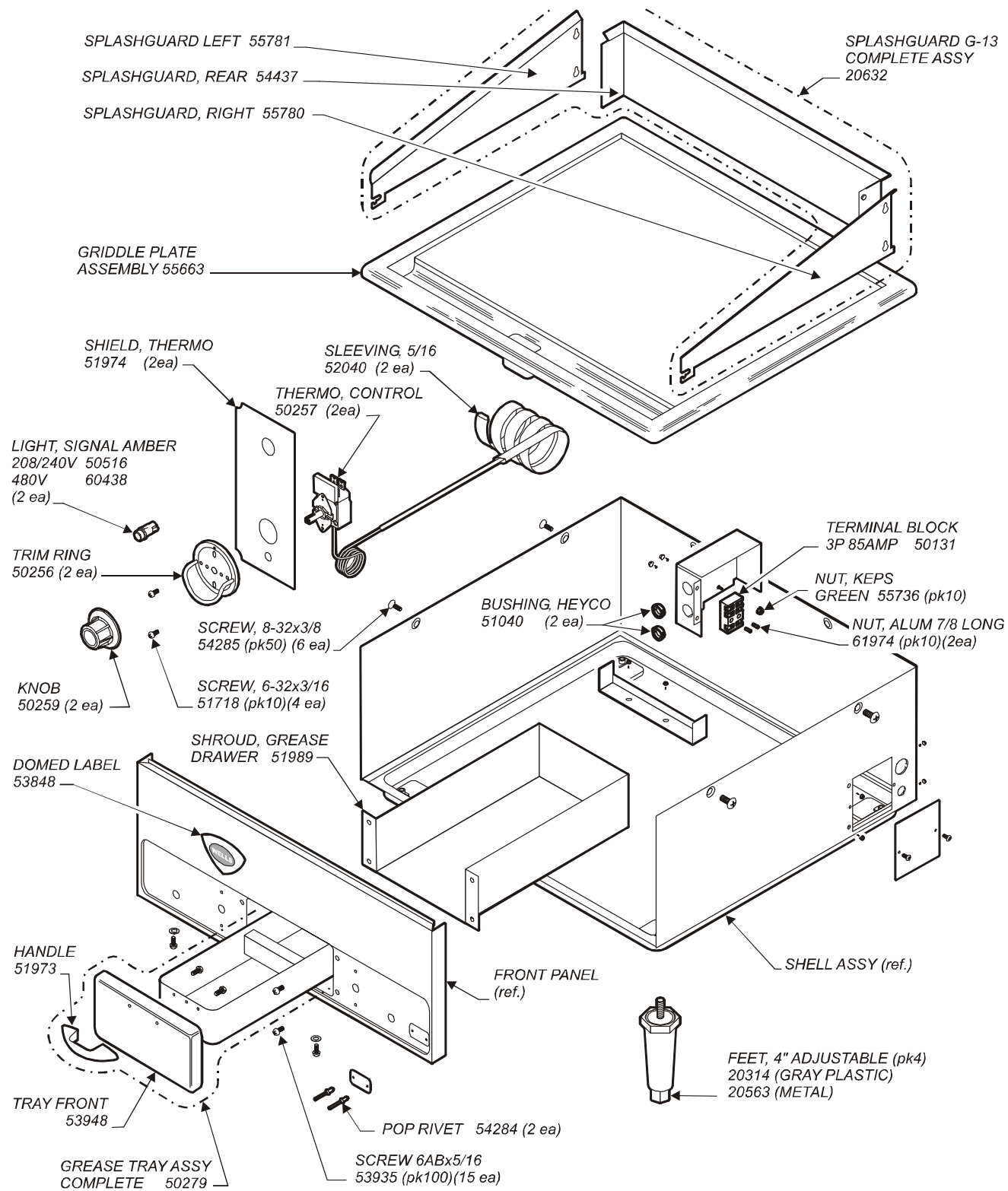


50259

**COUNTERTOP ELECTRIC GRIDDLE
MODEL G-13 - HEATING ELEMENTS
208/240V and 480V**



**COUNTERTOP ELECTRIC GRIDDLE
MODEL G-13 - CABINET & ELECTRICAL
208/240V and 480V**



**COUNTERTOP ELECTRIC GRIDDLE
MODEL G-19 - HEATING ELEMENTS
208V, 240V and 480V**

INSULATION PAD
57407 (pk 2'x4')

COVER, GREASE
DRAWER 51995

CLIP, INSULATION
53474 (pk12) (11 ea)

CLAMP, THERMO
52028 (4 ea)

TUBE, THERMO
51972 (2 ea)

NUT, 1/4-20 HEX Ni
51253 (pk100) (36 ea)

CLAMP, ELEM CENTER
51968 (10 ea)

CLAMP, ELEM END
52038 (8 ea)

JUMPER, LONG
52055 (4 ea)

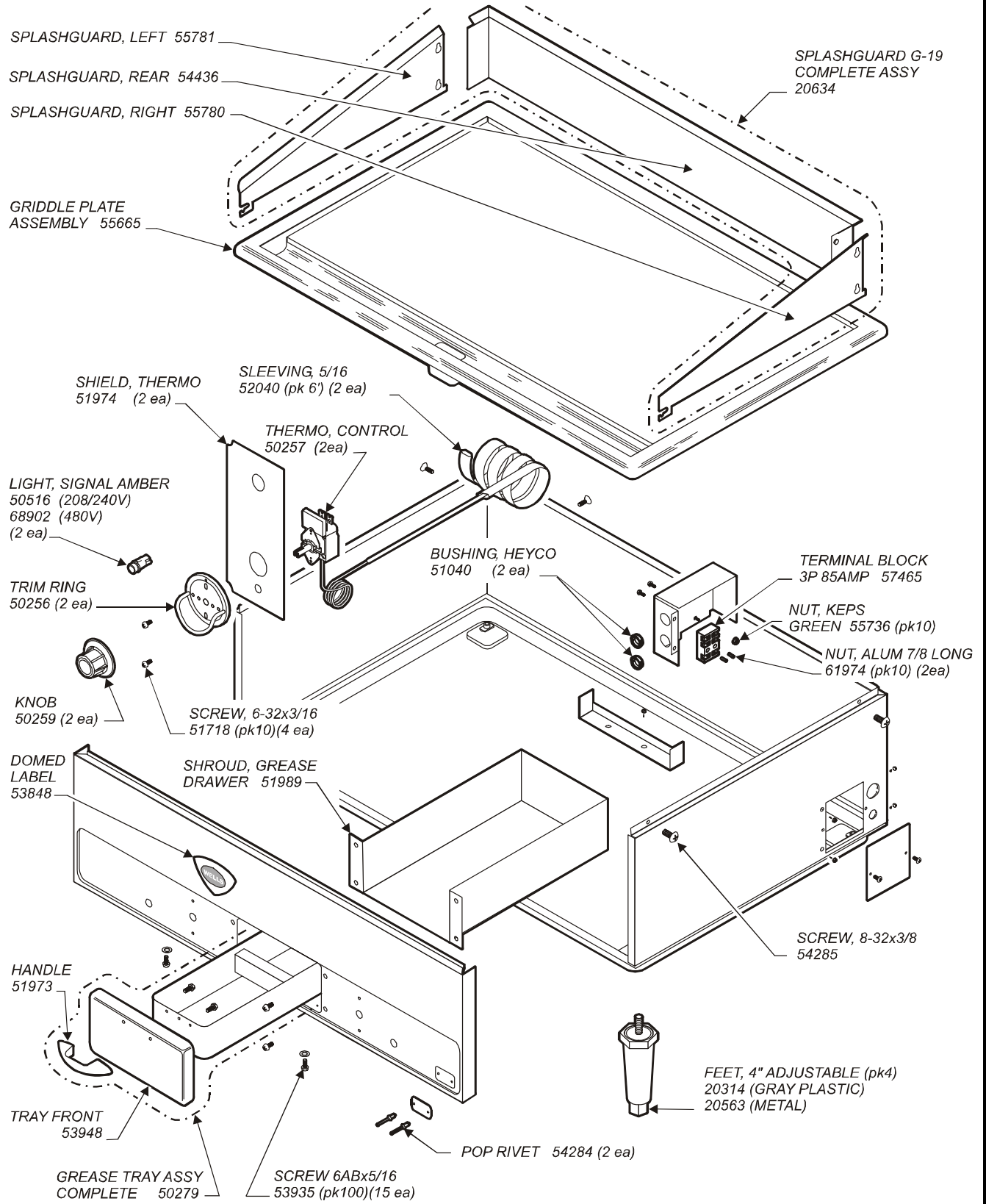
NUT, 10-32 HEX
55313 (16 ea)

HEATING ELEMENT
50511 (208V)
50512 (240V) (4 ea)
68902 (480V)

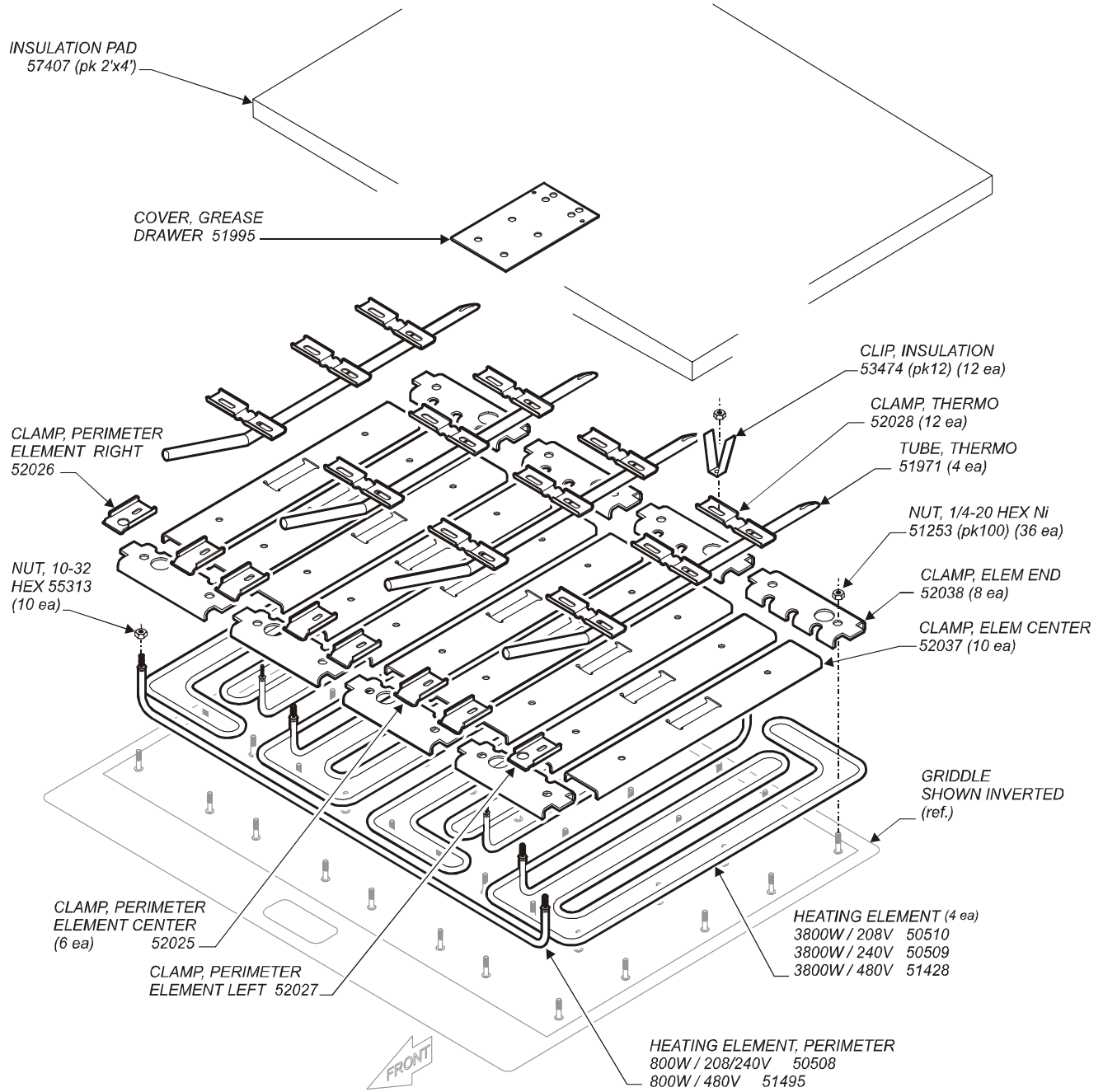
FRONT

GRIDDLE
SHOWN INVERTED
(ref.)

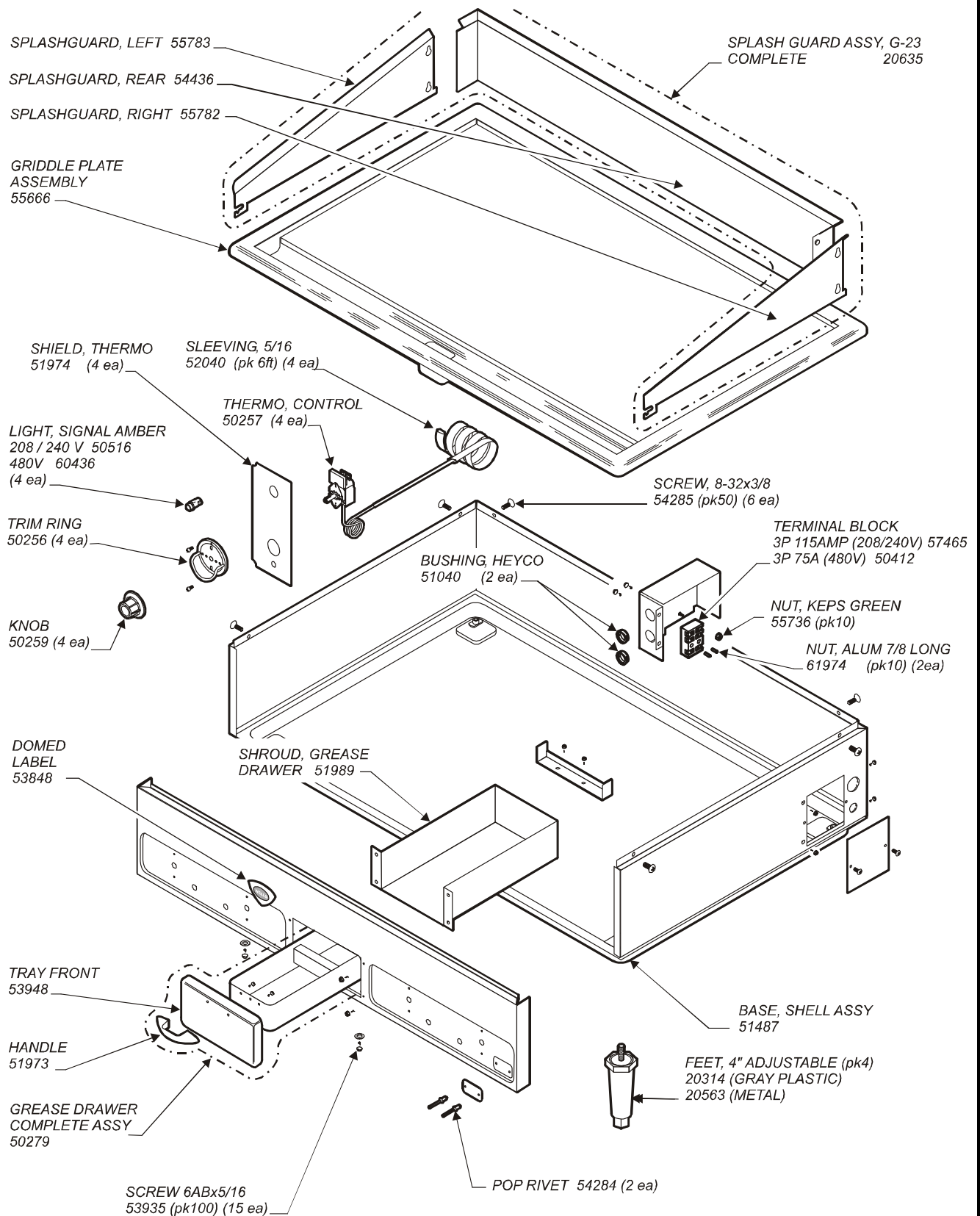
**COUNTERTOP ELECTRIC GRIDDLE
MODEL G-19 - CABINET & ELECTRICAL
208V, 240V and 480V**



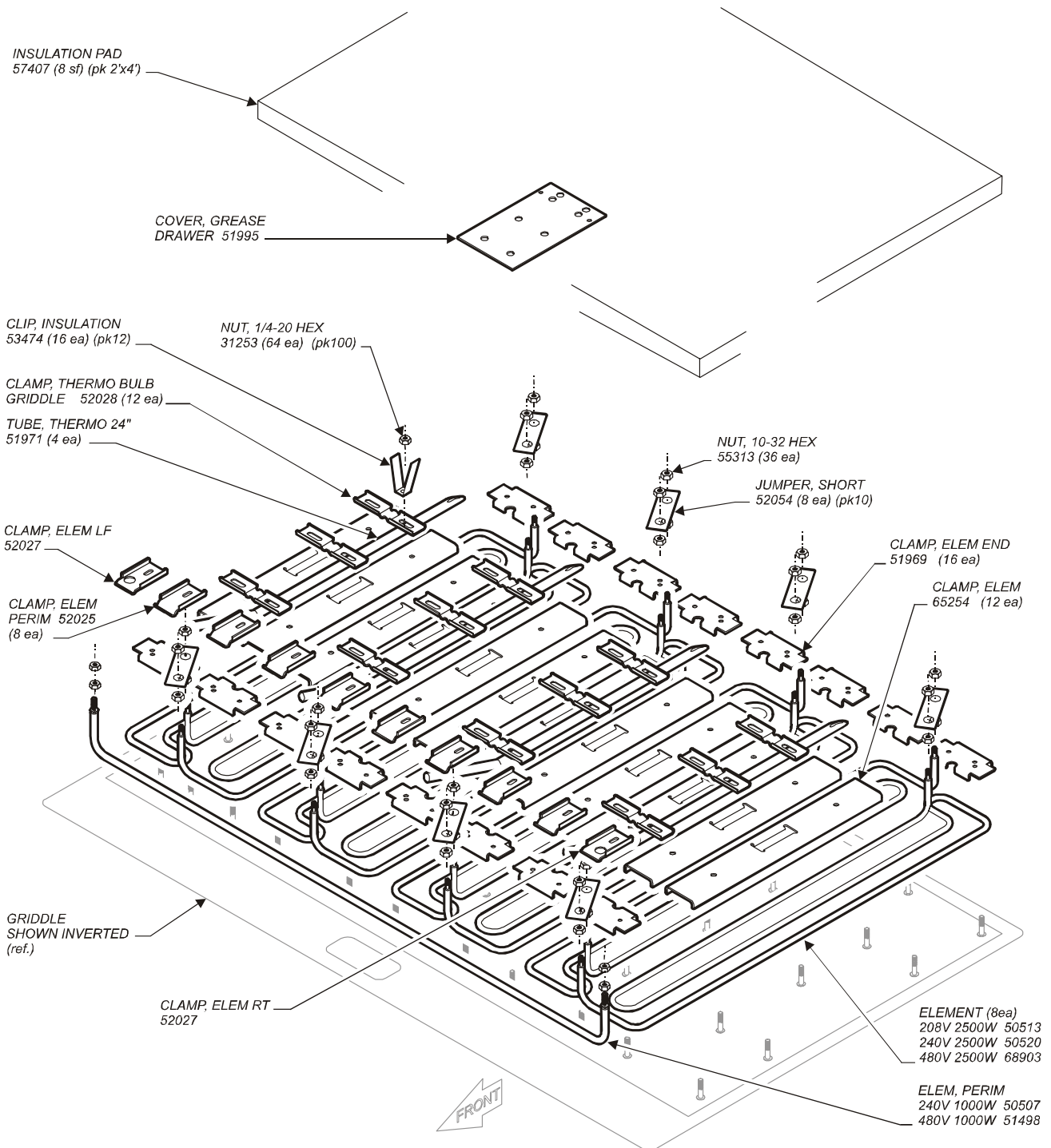
**COUNTERTOP ELECTRIC GRIDDLE
MODEL G-23 - HEATING ELEMENTS
208V, 240V and 480V**



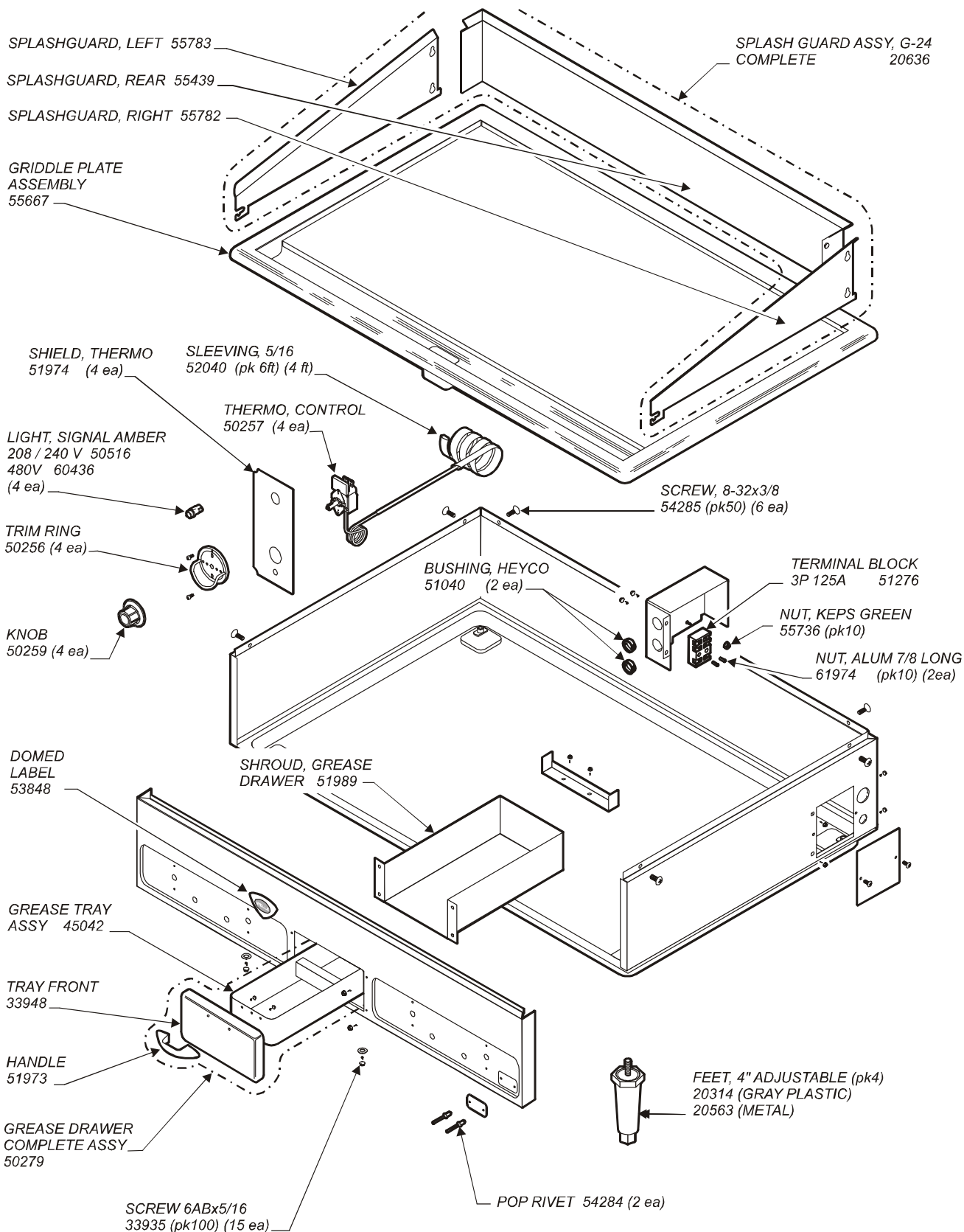
**COUNTERTOP ELECTRIC GRIDDLE
MODEL G-23 - CABINET & ELECTRICAL
208V, 240V and 480V**



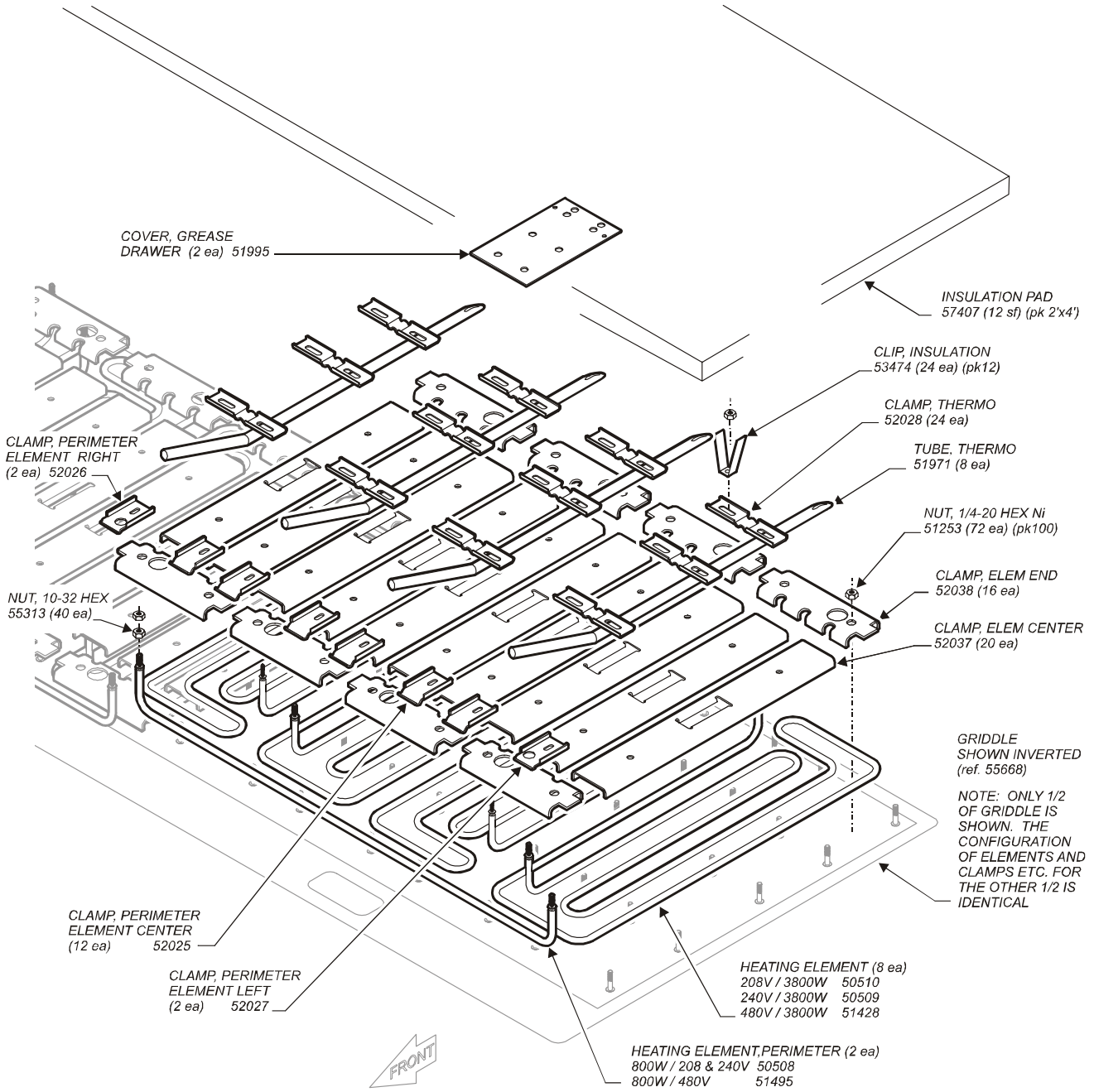
**COUNTERTOP ELECTRIC GRIDDLE
MODEL G-24 - HEATING ELEMENTS
208V, 240V and 480V**



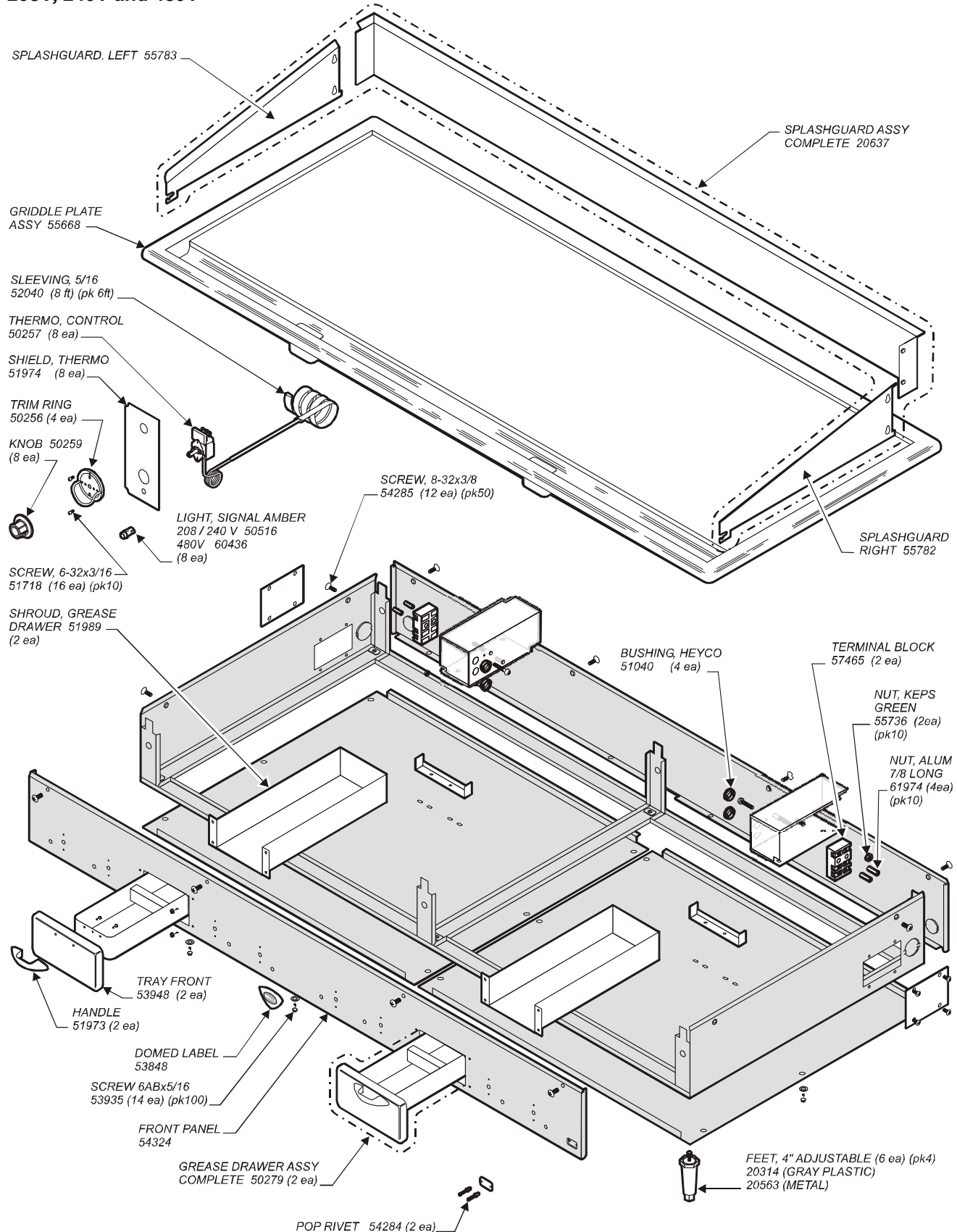
**COUNTERTOP ELECTRIC GRIDDLE
MODEL G-24 - CABINET & ELECTRICAL
208V, 240V and 480V**



**COUNTERTOP ELECTRIC GRIDDLE
MODEL G-60 - HEATING ELEMENTS
208V, 240V and 480V**



**COUNTERTOP ELECTRIC GRIDDLE
MODEL G-60 - CABINET & ELECTRICAL
208V, 240V and 480V**





*Wells Manufacturing proudly supports CFESA
Commercial Food Equipment Service Association*

SERVICE TRAINING - QUALITY SERVICE



CUSTOMER SATISFACTION



WELLS

WELLS MANUFACTURING COMPANY - Division of CARRIER COMMERCIAL REFRIGERATION
2 ERIK CIRCLE, P. O. Box 280
Verdi, NV 89439
telephone: 775-689-5700
fax: 888-492-2783
www.wellsbloomfield.com