

Electric Designer (ED, EDU) Series Counter Equipment

Parts List

Hotplates

Griddles

Broilers

Fryers

Food Warmers



Rating Plate Location

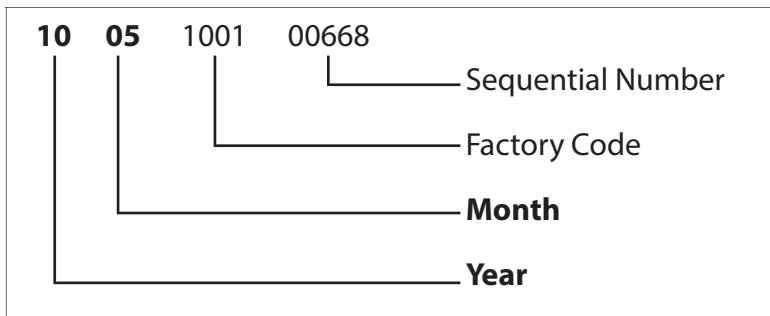
The Rating plate is readily visible by opening the enameled door located below the control panel.



Serial# - Year/Month Information

From June 2004 to Present:

The Serial Number is **13 Digits** long and is stamped on the Rating Plate.
See "Rating Plate Location".

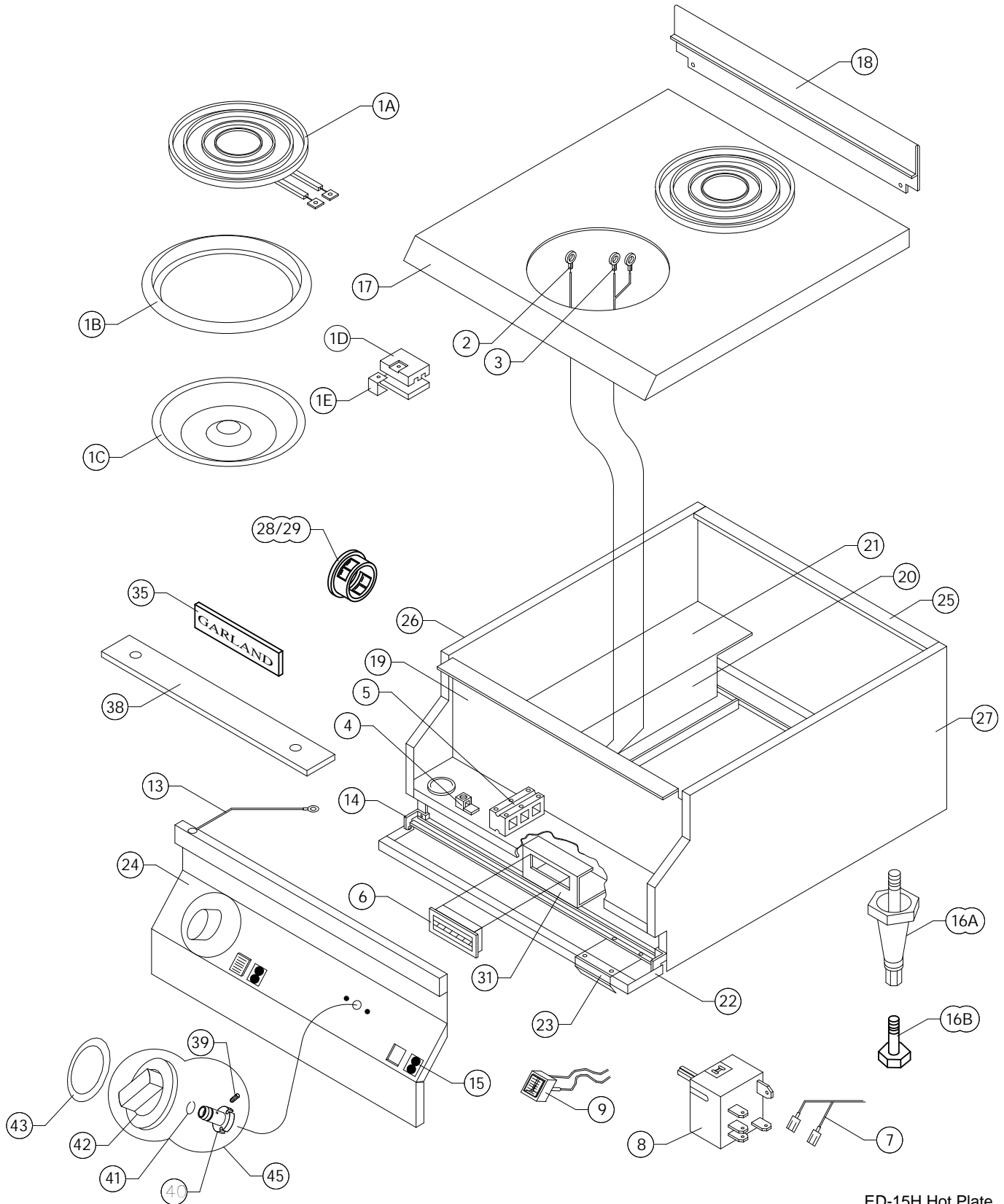




**Electric Designer (ED)
Counter Equipment Series**
Hotplates / Fryers / Griddles / Broilers

Table of Contents

Rating Plate Location, Serial# Information2
Hot Plate — ED-15H.....4
Hot Plates — ED-15HSE / ED-15THSE / EDU-15HSE8
Griddles — ED-15G / ED-24G / ED-36G / EDU-15G / EDU-24G / EDU-36G 12
Broilers — ED-15B / ED-30B / ED-42B / EDU-15B / EDU-30B / EDU-42B 16
Food Warmer — ED-15W / EDU-15W / ED-15WP 20
Super Fryers — ED-15SF / ED-30SFT / EDU-18SF / EDU-36SFT..... 24
Fryers — ED-15F / ED-30FT / EDU-18F / EDU-36FT..... 32
Related Bulletins 39
Revision History..... 39



ED-15H Hot Plate

GARLAND PARTS IDENTIFICATION

Hot Plate ED-15H

ITEM	PART #	DESCRIPTION	MODEL ED-15H	DATE		CRITICAL
			QTY	FROM	UP TO	
1A	2195000	8" Surface Element 208V (2.1Kw)	2			C
	2195001	8" Surface Element 240V (2.1Kw)	2			C
	2195002	8" Surface Element 220V (2.1Kw)	2			C
1B	2602399	8" Ring Assembly	2			
1C	2195300	8" Pan Reflector	2			
1D	2195800	Split Terminal Block (Small)	2			
1E	2627700	Terminal Block Clip	2			
2	2147703	Ground Wire	2			
3	2148100	Element Wire Harness	1			
4	G01500-1	Ground Terminal 55 Amp	1			
5	2147300	Terminal Block 3 Circuit	1			C
	2147302	Terminal Block 3 Circuit Export	1			C
6	078174-1	Magnetic Door Catch	1			C
7	2148000	Primary Wires	1			
8	CKG03185-2	Infinite Switch-240 Volt	2			C
9	2138504	Green Indicator Light (Obsolete, use CK4533015)	2		30-Apr-16	C
	CK4533015	Service Kit for Indicator Light 250V Green Notes: Kit includes green rectangular 250V light 4533015 and green rectangular lens 4533016.	2	1-May-16		C
13	2147700	Ground Wire	1			
14	2149400	Door Hinge Right Hand	1			
	2149401	Door Hinge Left Hand	1			
15	2150000	Element Identification Plate	2			
16A	078109-2	4" Adjustable Metal Leg	4			
16B	F157	Leveling Bolt-3/8-16x1 1/16"	4			
16C*	G01503-10	Leg Weld Nut	4			
17	2132699	Main Top Assembly	1			
18	2168000	Back Splash to 12/07/95	1		07-Dec-95	
	2385500	Back Splash from 12/07/95	1	07-Dec-95		
19	2132798	Control Shield Assembly	1		23-Feb-93	
	2132799	Control Shield Assembly	1	23-Feb-93	04-Apr-94	
	2351899	Control Shield Assembly	1	04-Apr-94		
20	2149600	Wireway	1			
21	2156500	Body Shield	1			
22	2149299	Door Assembly 15"	1			
23	2149300	Door Pull	1			
24	2137700	Control Panel	1		4-Apr-94	
	2349600	Control Panel	1	4-Apr-94		
25	2180900	Body Back & Bottom	1			
	2180901	Body Back & Bottom S/S	1			
26	2180699	Body Side Assembly LH - Black (Code 9402CG0180)	1		21-Feb-94	
	2180698	Body Side Assembly LH S/S (Code 9402CG0180)	1		21-Feb-94	
	2349498	Body Side Assembly LH (Code 9402CG0181)	1	21-Feb-94		
	2349496	Body Side Assembly LH (Code 9402CG0181)	1	21-Feb-94		
27	2180599	Side Assembly RH - Black (Code 9402CG0180)	1		21-Feb-94	
	2180598	Side - Right Assembly S/S (Code 9402CG0180)	1		21-Feb-94	
	2349499	Body Side Assembly RH (Code 9402CG0181)	1	21-Feb-94		
	2349497	Body Side Assembly RH (Code 9402CG0181)	1	21-Feb-94		
28	G01487-8	Heyco Bushing 11/16 ID	1			
29	G01487-5	Heyco Bushing 1-5/16 ID	1			
30*	2174500	Joiner Tab	2			

* NOT ILLUSTRATED

RECOMMENDED STOCK PARTS

GARLAND PARTS IDENTIFICATION

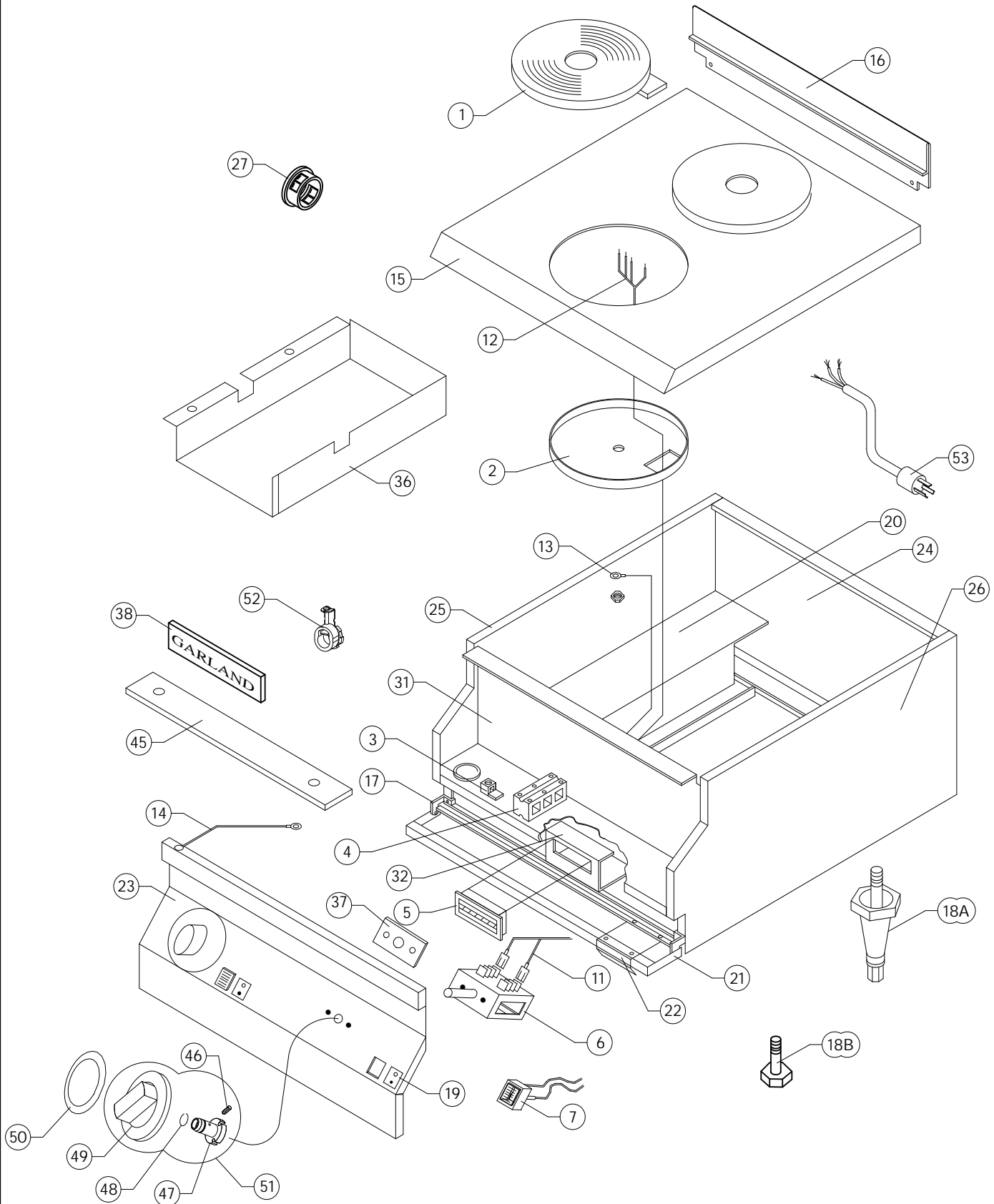
Hot Plate ED-15H

ITEM	PART #	DESCRIPTION	MODEL ED-15H	DATE		CRITICAL
			QTY	FROM	UP TO	
31	2139600	Magnet Mounting Bracket to 5/07/91	1		7-May-91	
	2183500	Magnet Bracket from 5/07/91	1	7-May-91		
32*	2149800	Access Panel	1			
33*	2171400	Terminal Block Mounting Bracket	1			
34*	2139700	Control Panel Clip	2			
35	4529725	Garland Nameplate 4 7/8"	1			
36*	2146100	Wiring Diagram (Domestic) Ed-15H 208V				
37*	2146200	Wiring Diagram (Export) Ed-15H 220V				
38	2285999	Leg Channel Assembly 15"	2			
39	F561	10-32 - 3/16 Socket Head Screw	2			
40	3043207	Knob Hub	2			
41	3043300	Retaining Spring	2			
42	3043100	Dial	2			
43	2139000	Dial Insert	2			
45	4512224	Dial Kit – Includes Items: 39, 40, 41, 42				

* NOT ILLUSTRATED

RECOMMENDED STOCK PARTS

Blank Page



ED-15HSE Hot Plate

GARLAND PARTS IDENTIFICATION
Hot Plates ED-15HSE, ED15THSE & EDU-15HSE

ITEM	PART#	DESCRIPTION	MODEL			DATE		CRITICAL
			QUANTITY			FROM	UP TO	
			ED-15HSE	ED-15THSE	EDU-15HSE			
1	2590200	Sealed Element 208 Tim Hortons Only		2				C
	2590201	Sealed Element 220 Tim Hortons Only		2				C
	2590202	Sealed Element 240 Tim Hortons Only		2				C
	2147100	Sealed Element 208	2		2			C
	2147101	Sealed Element 220	2		2			C
	2147102	Sealed Element 240	2		2			C
2	2147200	Screening Sheet 237mm	2		2			
	2147201	Screening Street 180mm Tim Hortons Only		2				
3	G01500-1	Ground Terminal 55 Amp	1	1	1			
4	2147300	Terminal Block 3 Circuit	1	1				C
	2147302	Terminal Block 3 Circuit Export	1		1			C
5	078174-1	Magnetic Door Catch	1	1	1			C
6	4523166	6-Heat Switch, cCSAus	2	2	2			
	4523167	6 Heat Switch, CE	2	2	2			C
7	2138504	Green Indicator Light (Obsolete, use CK4533015)	2	2	2		30-Apr-16	C
	CK4533015	Service Kit for Indicator Light 250V Green Notes: Kit includes green rectangular 250V light 4533015 and green rectangular lens 4533016.	2	2	2	1-May-16		C
11	2147800	Primary Wires Harness	1	1	1			
12	2147900	Element Wires Harness	2	2	2			
13	2147702	Ground Wire Rear	2	2	2			
14	2147700	Ground Wire	1	1	1			
15	2147399	Main Top Assembly	1		1			
	2137298	Main Top Assembly Tom Hortons Only		1				
16	2168000	Back Splash	1		1		07-Dec-95	
	2385500	Back Splash	1	1	1	07-Dec-95		
17	2149400	Door Hinge Right Hand	1	1	1			
	2139401	Door Hinge Left Hand	1	1	1			
18A	078109-2	4" Adjustable Metal Leg	4	4	4			
18B	F-157	Leveling Bolt-3/8-16x1-1/16"	4	4	4			
18C*	G01503-10	Leg Weld Nut	4	4	4			
19	2150000	Element Identification Plate	2	2	2			
20	2149600	Wireway	1	1	1			
21	2149299	Door Assembly 15"	1	1	1			
22	2149300	Door Pull	1	1	1		06-Mar-00	
	2149301	Door Handle	1	1	1	06-Mar-00		
23	2137700	Control Panel	1				04-Apr-94	
	2349600	Control Panel	1	1		04-Apr-94		
	9349602	Control Panel			1			
24	2180900	Body Back & Bottom	1	1	1			
	2180901	Body Back & Bottom S/S	1	1	1			

* NOT ILLUSTRATED

RECOMMENDED STOCK PARTS

GARLAND PARTS IDENTIFICATION

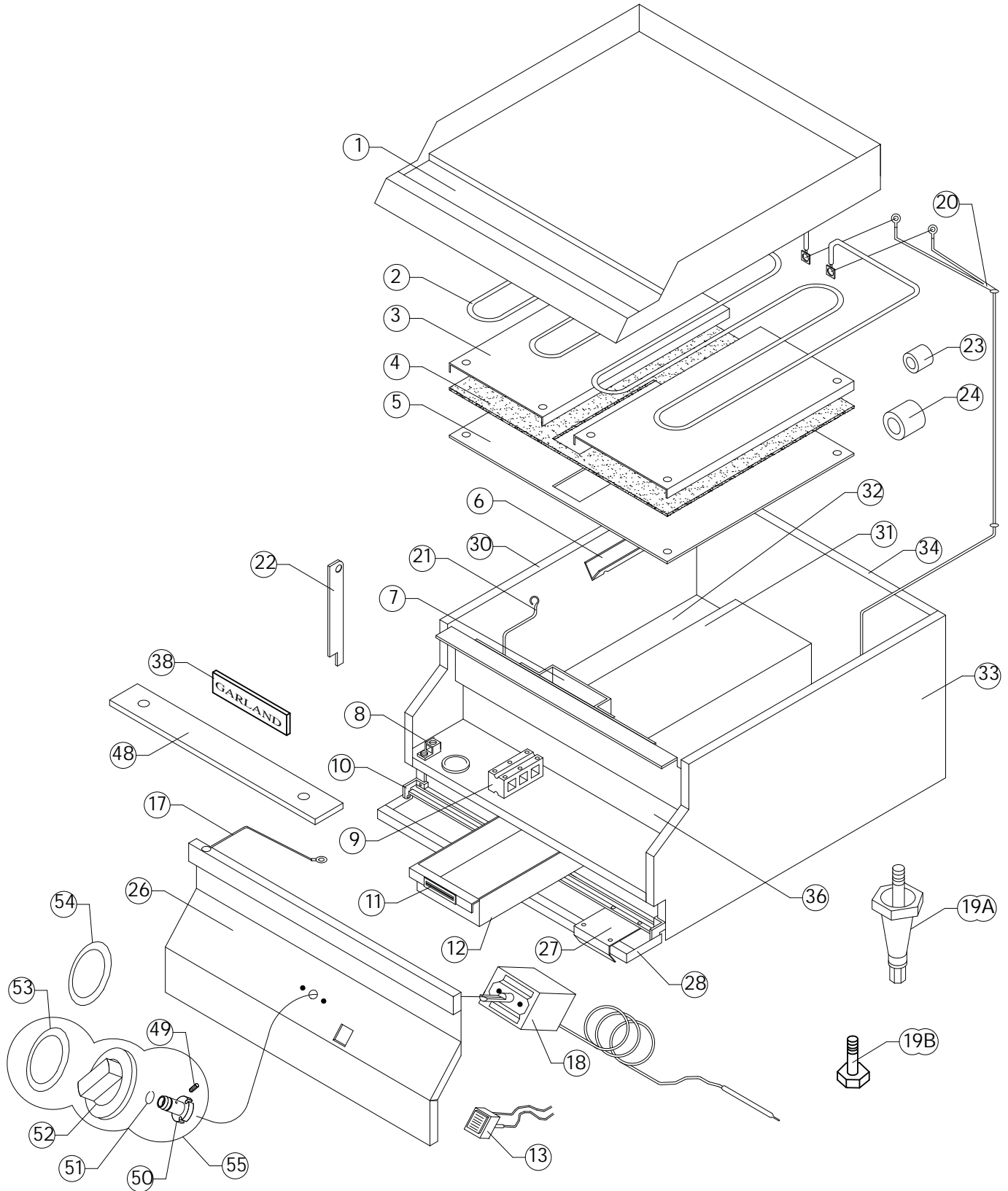
Hot Plates ED-15HSE, ED15THSE & EDU-15HSE

ITEM	PART#	DESCRIPTION	MODEL			DATE		CRITICAL
			QUANTITY			FROM	UP TO	
			ED-15HSE	ED-15THSE	EDU-15HSE			
25	2180699	Body Side Assembly LH Black (Code 9402CG0180)	1	1			21-Feb-94	
	2180698	Body Side Assembly LH S/S (Code 9402CG0180)	1	1			21-Feb-94	
	2349498	Body Side Assembly LH (Code 9402CG0181)	1	1	1	21-Feb-94		
	2349496	Body Side Assembly LH (Code 9402CG0181)	1	1	1	21-Feb-94		
26	2180599	Side Assembly RH (Code 9402CG0180)	1	1			21-Feb-94	
	2180598	Side - Right Assembly S/S (Code 9402CG0180)	1	1			21-Feb-94	
	2394999	Body Side Assembly RH (Code 9402CG0181)	1	1	1	21-Feb-94		
	2349497	Body Side Assembly RH (Code 9402CG0181)	1	1	1	21-Feb-94		
27	G01487-8	Heyco Bushing 11/16 ID	1	1	1			
28*	G01487-5	Heyco Bushing 1-5/16 ID	1	1	1			
29*	2193700	Control Panel Clip	2	2	2			
30*	2174500	Joiner Tab	2	2	2			
31	2132799	Control Shield Assembly	1	1		23-Feb-93	04-Apr-94	
	2351899	Control Shield Assembly	1	1	1	04-Apr-94		
32	2139600	Magnet Mounting Bracket	1	1	1		07-May-94	
	2183500	Magnetic Bracket	1	1	1	07-May-94		
33*	2149800	Access Panel	1	1	1			
34*	2150200	Bottom Baffle	1	1	1			
35*	2171400	Terminal Black Mounting Bracket	1	1	1			
36	2608700	Wireway			1			
37	2618500	Switch Seal			2			
38	4529725	Garland Nameplate 4 7/8"	1	1	1			
39*	26186600	Side Seal			2			
40*	2618700	Front Seal			1			
41*	2146401	Wiring Diagram, EDU-15HSE-CE V			1			
42*	2146300	Wiring Diagram ED-15HSE 208DOM	1					
43*	2146400	Wiring Diagram ED-15HSE 220EXP	1					
44*	2146301	Wiring Diagram Tim Hortons Only		1				
45	2285999	Leg Channel Assembly 15"	2	2	2			
46	F561	10-32 - 3/16 Socket Head Screw	2	2	2			
47	3043207	Knob Hub	2	2	2			
48	3043300	Retaining Spring	2	2	2			
49	3043100	Dial	2	2	2			
50	2139000	Dial Insert	2	2	2			
51	4512224	Dial Kit - Includes Items: 46, 47, 48, 49						
52	G01497-1	Bx Connector Straight 3/8"		1				
53	4523405	Power Cord W/L6-30 Plug - Only Available On ED-15THSE - 208 Volts 1/Phase Models Manufactured From Serial # 0803100100956		1		17-Mar-08		

* NOT ILLUSTRATED

RECOMMENDED STOCK PARTS

Blank Page



ED-15,24,36G-GRIDDLES

GARLAND PARTS IDENTIFICATION
Griddles ED/EDU-15G, ED/EDU-24G, ED/EDU-36G

ITEM	PART #	DESCRIPTION	MODEL			DATE		CRITICAL
			QUANTITY			FROM	UP TO	
			ED/EDU-15G	ED/EDU-24G	ED/EDU-36G			
1	2142699	Griddle Assembly 15"	1					
	2220399	15" Grooved Griddle Assembly	1					
	2151097	Griddle Assembly 24"		1				
	2220499	24" Griddle Assy Fully Grooved		1				
	2220498	24" Griddle Assy 12" Grooved LT		1				
	2220497	24" Griddle Assy 12" Grooved RT		1				
	2151197	Griddle Assembly 36"			1			
	2220599	36" Griddle Assy Fully Grooved			1			
	2220597	36" Griddle Assy. 24" Grooved RT			1			
	2220598	36" Griddle Assy. 24" Grooved LT			1			
	2220595	36" Griddle Ass'y 12" Grooved LT			1			
2220596	36" Griddle Ass'y 12" Grooved RT			1				
2	G01816-1	Element 208V, 3350W	1	2	3			C
	G01816-2	Element 240V, 3350W	1	2	3			C
	G01816-3	Element 220V, 3350W	1	2	3			C
	G01816-4	Element 230 Volts EDU Models Only	1	2	3			C
3	G01884-1-6	Element Clamp	2	4	6			
4	4526300	Superwool 607 Biofriendly Insulation	1	2	3			
5	2142700	Element Cover	1	2	3			
6	G01891-1-6	Bulb Clamp	1	2	3			
7	2155499	Grease Chute Assembly	1	1	1			
8	G01500-1	Ground Terminal 55 Amp	1	1	1			
9	2147300	Terminal Block 3 Circuit	1	1	1			C
	2147302	Terminal Block 3 Circuit (Export, 2 Phase)	1	1	1			C
	2147301	Terminal Block-4 Circuit (Export, 3 Phase)	1	1	1			C
10	2149400	Door Hinge Right Hand	1	1	1			
	2149401	Door Hinge Left Hand	1	1	1			
11	078174-1	Magnetic Door Catch	1	1	1			C
12	2142800	Grease Tray	1	1	1			
13	2138500	Amber Indicator Light (Obsolete, use CK4533018)	1	2	3		30-Apr-16	C
	CK4533018	Service Kit for Indicator Light 250V Amber Notes: Kit includes green rectangular 250V light 4533018 and amber rectangular lens 4533017.	1	2	3	1-May-16		C
17	2147700	Ground Wire	1	1	1			
18	G2674-1	Thermostat G1 150F TO 450F	1	2	3			
19A	078109-2	4" Adjustable Metal Leg	4	4	4			
19B	F157	Leveling Bolt-3/8-16x1 1/16"	4	4	4			
19C*	G01503-10	Leg Weld Nut	4	4	4			
20	2158900	Wire Harness	1					
	2158901	Wire Harness		1				
	2158902	Wire Harness			1			
21	H87	14 Ga Nickel Wire Bare 651ALOY	1	1	1			
22	G2402-3-5	Top Support Prop	1	1	1			
23	G01487-8	Heyco Bushing 11/16 ID	1	2	3			
24	G01487-5	Heyco Bushing 1-5/16 ID	1	1	1			
25*	2139700	Control Panel Clip	2	2	3			

* NOT ILLUSTRATED

RECOMMENDED STOCK PARTS

GARLAND PARTS IDENTIFICATION
Griddles ED/EDU-15G, ED/EDU-24G, ED/EDU-36G

ITEM	PART #	DESCRIPTION	MODEL			DATE		CRITICAL
			QUANTITY			FROM	UP TO	
			ED/EDU-15G	ED/EDU-24G	ED/EDU-36G			
26	2137900	Control Panel	1				6-May-94	
	2349700	Control Panel 15"	1			6-May-94		
	2138000	Control Panel		1			23-Feb-94	
	2349800	Control Panel 24"		1		23-Feb-94		
	2138300	Control Panel			1		23-Feb-94	
	2350100	Control Panel 36"			1	23-Feb-94		
27	2149300	Door Pull	1	1	1			
28	2149299	Door Assembly 15"	1					
	2149297	Door Assembly 24"		1				
	2149295	Door Assembly 36"			1			
29*	2372800	Body Side Stiffener	2	2	2			
30	2180699	Body Side Assy LH Black (Code 9402CG0180)	1	1	1			
	2180698	Body Side Assy LH S/S (Code 9402CG0180)	1	1	1			
	2349498	Body Side Assembly LH (Code 9402CG0181)	1	1	1			
	2349496	Body Side Assembly LH (Code 9402CG0181)	1	1	1			
31	2156300	Tray Cover	1	1	1			
32	2149600	Wireway	1	1	1			
33	2180599	Side Assembly RH (Code 9402CG0180)	1	1	1			
	2180598	Side - Right Assembly S/S (Code 9402CG0180)	1	1	1			
	2349499	Body Side Assembly RH (Code 9402CG0181)	1	1	1			
	2349497	Body Side Assembly RH (Code 9402CG0181)	1	1	1			
34	2180900	Body Back & Bottom	1					
	2180901	Body Back & Bottom S/S	1					
	2181100	Body Back & Bottom (24G)		1				
	2181101	Body Back & Bottom S/S		1				
	2181400	Body Back & Bottom (36G)			1			
	2181401	Body Back & Bottom S/S			1			
35*	2155700	Grease Tray Slide	2	2	2			
36	2156199	Control Shield Assembly	1				3-Mar-94	
	2352299	Control Shield Assembly	1			3-Mar-94		
	2156999	Control Shield Assembly		1			23-Feb-94	
	2352499	Control Shield Assembly		1		23-Feb-94		
	2156699	Control Shield Assembly			1		23-Feb-94	
	2352399	Control Shield Assembly			1	23-Feb-94		
37*	2174500	Joiner Tab	2	2	2			
38	4529725	Garland Nameplate 4 7/8"	1	1	1			
39*	2144500	Wiring Diagram						
40*	2144600	Wiring Diagram						
41*	2144601	Wiring Diagram, EDU-15G-CE VER.						
42*	2144700	Wiring Diagram						
43*	2144800	Wiring Diagram						

* NOT ILLUSTRATED

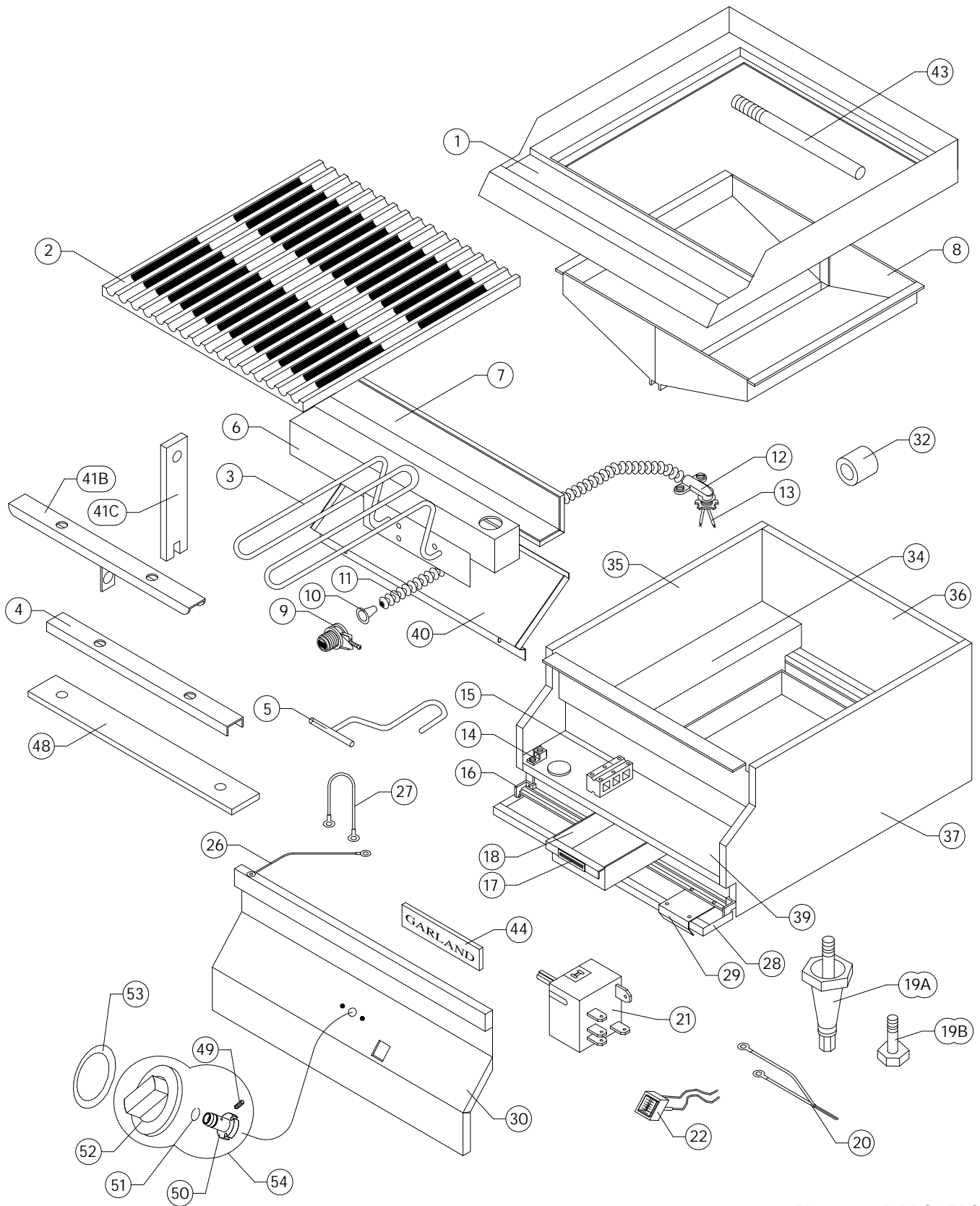
RECOMMENDED STOCK PARTS

GARLAND PARTS IDENTIFICATION
Griddles ED/EDU-15G, ED/EDU-24G, ED/EDU-36G

ITEM	PART #	DESCRIPTION	MODEL			DATE		CRITICAL
			QUANTITY			FROM	UP TO	
			ED/EDU-15G	ED/EDU-24G	ED/EDU-36G			
44*	2144801	Wiring Diagram, EDU-24G-CE VER						
45*	2144900	Wiring Diagram						
46*	2145000	Wiring Diagram						
47*	2145001	Wiring Diagram, EDU-36G-CE VER						
48	2285999	Leg Channel Assembly 15"	2					
	2285997	Leg Channel Assembly 24"		2				
	2285995	Leg Channel Assembly 36"			2			
49	F561	10-32 – 3/16 Socket Head Screw	1	2	3			
50	3043207	Knob Hub	1	2	3			
51	3043300	Retaining Spring	1	2	3			
52	3043100	Dial	1	2	3			
53	2138800	Dial Insert Degrees F	1	2	3			
54	2138801	Dial Insert Degrees C	1	2	3			
55	4512111	Dial Kit – Includes Items: 49, 50, 51, 52, 53	1	2	3			

* NOT ILLUSTRATED

RECOMMENDED STOCK PARTS



ED-15,30,42B BROILERS

GARLAND PARTS IDENTIFICATION
Broiler ED/EDU-15B, ED/EDU-30B, ED/EDU-42B

ITEM	PART #	DESCRIPTION	MODEL			DATE		CRITICAL
			QUANTITY			FROM	UP TO	
			ED/EDU-15B	ED/EDU-30B	ED/EDU-42B			
1	2134899	Main Top Assembly	1					
	2161499	Main Top Assembly		1				
	2165399	Main Top Assembly			1			
2	G0844-1	Broiler Grate	1	2	3			
3	G0875-2	Element Broiler 208V, 1.35KW	2	4	6			C
	G0875-1	Element Broiler 240V, 1.35KW	2	4	6			C
	G0875-4	Element Broiler 220V, 1.35KW Note: No Longer Available. Use G0875-5.	2	4	6			
	G0875-5	Element Assy, 230V, 1350W EDU Models Only	2	4	6			C
4	4526176	Element Clamp	2	4	6			
5	2135799	Grate Handle Assembly	1	1	1			
6	2135400	Element Terminal Box	1	2	3			
7	2135500	Element Terminal Box Cover	1	2	3			
8	2159499	Grease Collector Assembly	1					
	2162199	Grease Collector Assembly		1				
	2165899	Grease Collector Assembly			1			
9	G01497-1	Bx Connector Straight 3/8"	1	2	3			
10	1029600	Antishots # 1	2	4	6			
11	1029400	BX Cable 3/8"	1	2	3			
12	1028500	Connector 3/8" 90 DEG. Romex	1	2	3			
13	2159100	Element Wires	1	2	3			
14	G01500-1	Ground Terminal 55 Amp	1	1	1			
15	2147300	Terminal Block 3 Circuit	1	1	1			C
	2147302	Terminal Block 3 Circuit (Export, 2 Phase)	1	1				C
	2147301	Terminal Block 4 Circuit (Export, 3 Phase)			1			C
16	2149400	Door Hinge Right Hand	1	1	1			
	2149401	Door Hinge Left Hand	1	1	1			
17	078174-1	Magnetic Door Catch	1	1	1			C
18	2142800	Grease Tray	1	1				
	2222900	Grease Tray			1			
19A	078109-2	4" Adjustable Metal Leg	4	4	4			
19B	F157	Bolt-3/8-16x1 1/16"	4	4	4			
19C*	G01503-10	Leg Weld Nut	4	4	4			
20	2159000	Primary Wires	1					
	2159001	Primary Wires		1				
	2159002	Primary Wires			1			
21	CKG03185-2	Infinite Switch-240 Volt	1	2	3			C
22	2138504	Green Indicator Light (Obsolete, use CK4533015)	1	2	3		30-Apr-16	C
	CK4533015	Service Kit for Indicator Light 250V Green Notes: Kit includes green rectangular 250V light 4533015 and green rectangular lens 4533016.	1	2	3	1-May-16		C
26	2147700	Ground Wire	1	1	1			
27	2159101	Element Wires	2	4	6			
28	2149299	Door Assembly 15"	1					
	2149296	Door Assembly 30"		1				
	2149289	Door Assembly 42"			1			
29	2149300	Door Pull	1	1	1			

* NOT ILLUSTRATED

RECOMMENDED STOCK PARTS

GARLAND PARTS IDENTIFICATION
Broiler ED/EDU-15B, ED/EDU-30B, ED/EDU-42B

ITEM	PART #	DESCRIPTION	MODEL			DATE		CRITICAL
			QUANTITY			FROM	UFGO	
			ED/EDU-15B	ED/EDU-30B	ED/EDU-42B			
30	2137900	Control Panel	1				6-May-94	
	2349700	Control 15"	1			6-May-94		
	2138100	Control Panel		1			4-Apr-94	
	2349900	Control Panel 30"		1		4-Apr-94		
	2139400	Control Panel			1		28-Mar-94	
	2350200	Control Panel 42"			1	28-Mar-94		
31*	2139700	Control Panel Clip	2	2	3			
32	G01487-5	Heyco Bushing 1-5/16 ID	1	1	1			
33*	2155700	Grease Tray Slide	2	2	2			
34	2149600	Wireway	1	1	1			
35	2180699	Body Side Assy LH - Black (Code 9402CG0180)	1	1	1			
	2180698	Body Side Assy LH S/S (Code 9402CG0180)	1	1	1			
	2349498	Body Side Assembly LH (Code 9402CG0181)	1	1	1			
	2349496	Body Side Assembly LH (Code 9402CG0181)	1	1	1			
36	2181000	Body Back & Bottom	1					
	2181001	Body Back & Bottom S/S	1					
	2181200	Body Back & Bottom (30B)		1				
	2181201	Body Back & Bottom S/S		1				
	2181500	Body Back & Bottom (42B)			1			
	2181501	Body Back & Bottom S/S			1			
37	2180599	Side Assembly RH (Code 9402CG0180)	1	1	1			
	2180598	Side -Right Assembly S/S (Code 9402CG0180)	1	1	1			
	2349499	Body Side Assembly RH (Code 9402CG0181)	1	1	1			
	2349497	Body Side Assembly RH (Code 9402CG0181)	1	1	1			
38*	22174500	Joiner Tab	2	2	2			
39	2135199	Control Shield Assembly	1				3-Mar-94	
	2352199	Control Shield Assembly	1			3-Mar-94		
	2161699	Control Shield Assembly		1			4-Apr-94	
	2352699	Control Shield Assembly		1		4-Apr-94		
	2165299	Control Shield Assembly			1		3-Mar-94	
	2352799	Control Shield Assembly			1	3-Mar-94		
40	2135600	Shield	1	2	3			
41B	4526178	Prop Hanger	1	2	3			
41C	2436100	Prop	1	2	3			
43	2159800	Grate Stop	1	2	3			
44	4529725	Garland Nameplate 4 7/8"	1	1	1			
45*	2145100	Wiring Diagram ED-15B-Domestic	1					
	2145200	Wiring Diagram ED-15B-Exp	1					
	2145201	Wiring Diagram -EDU-15B-CE VER.	1					
46*	2155300	Wiring Diagram ED-30B-Domestic		1				
	2145400	Wiring Diagram ED-30B-Exp.		1				
	2145401	Wiring Diagram -EDU-30B-CE VER.		1				
47*	2145500	Wiring Diagram ED-42B-Domestic			1			
	2145600	Wiring Diagram ED-42B-Exp.			1			
	2145601	Wiring Diagram EDU-42B-CE VER.			1			

* NOT ILLUSTRATED

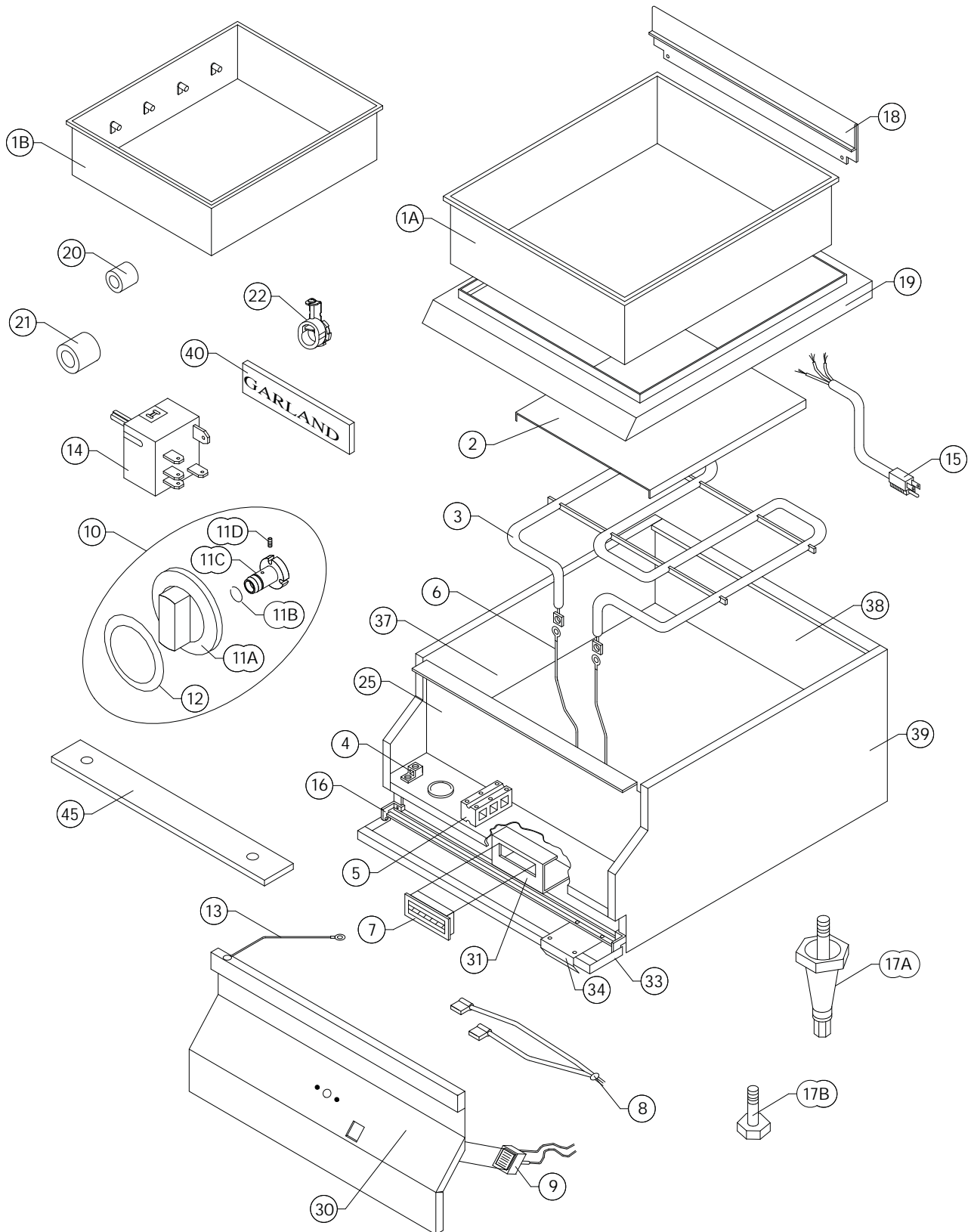
RECOMMENDED STOCK PARTS

GARLAND PARTS IDENTIFICATION
Broiler ED/EDU-15B, ED/EDU-30B, ED/EDU-42B

ITEM	PART #	DESCRIPTION	MODEL			DATE		CRITICAL
			QUANTITY			FROM	UFGO	
			ED/EDU-15B	ED/EDU-30B	ED/EDU-42B			
48	2285999	Leg Channel Assembly 15"	2					
	2285996	Leg Channel Assembly 30"		2				
	2285994	Leg Channel Assembly 42"			2			
49	F561	10-32 – 3/16 Socket Head Screw	2	2	2			
50	3043207	Knob Hub	2	2	2			
51	3043300	Retaining Spring	2	2	2			
52	3043100	Dial	2	2	2			
53	2139000	Dial Insert	2	2	2			
54	4512224	Dial Kit – Includes Items: 49, 50, 51, 52	2	2	2			

* NOT ILLUSTRATED

RECOMMENDED STOCK PARTS



ED-15-W,P Food Warmer

GARLAND PARTS IDENTIFICATION
Food Warmer ED/EDU-15W, ED-15WP

ITEM	PART #	DESCRIPTION	MODEL		DATE		CRITICAL
			QTY		FROM	UP TO	
			ED/EDU-15W	ED-15WP			
1A	2186100	Food Warmer Tank	1	1			C
1B	2186199	Food Well With Pan Stop (Tim Hortons Only)		1			C
2	2156400	Element Plate	1	1			
3	G0569-1	Element 120V, 1KW		1			C
	G0569-2	Element 208V, 1KW	1				C
	G0569-3	Element 240V, 1KW	1				C
	G0569-5	Element 230V, 1.1KW EDU Models Only	1				C
4	G01500-1	Ground Terminal 55 Amp	1	1			
5	2147300	Terminal Block 3 Circuit	1	1			
	2147302	Terminal Block 3 Circuit Export					
6	2148300	Element Wires	1	1			
7	078174-1	Magnetic Door Catch	1	1			C
8	2148200	Primary Wires		1			
	2148201	Primary Wires	1				
9	2138504	Green Indicator Light (Obsolete, use CK4533015)	1	1		30-Apr-16	C
	CK4533015	Service Kit for Indicator Light 250V Green Notes: Kit includes green rectangular 250V light 4533015 and green rectangular lens 4533016.	1	1	1-May-16		C
10	4512115	Knob Kit 2138700,2139000 Include Items # 11A, 11B, 11C, 11D & 12	1	1			
11A	3043100	Dial	1	1			
11B	3043300	Retaining Spring	1	1			
11C	3043207	Knob Hub	1	1			
11D	F561	10-32 – 3/16 Socket Head Screw	1	1			
12	2139000	Dial Insert	1	1			
13	2147700	Ground Wire	1	1			
14	CKG03185-1	Infinite Switch-120 Volt		1			C
	CKG03185-2	Infinite Switch-240 Volt	1				C
15	4523398	Power Cord 6Ft 3/14Ga 15Amp SJ00W		1			
16	2149400	Door Hinge Right Hand	1	1			
	2149401	Door Hinge Left Hand	1	1			
17A	078109-2	4" Adjustable Metal Leg	4	4			
17B	F157	Leveling Bolt-3/8-16x1 1/16"	4	4			
17C*	G01503-10	Leg Weld Nut	4	4			
18	2168000	Back Splash to 12/07/95	1	1			
	2385500	Back Splash from 12/07/95	1	1			
19	2133700	Main Top	1	1			
20	G01487-8	Heyco Bushing 11/16 ID	1	1			
21	G01487-5	Heyco Bushing 1-5/16 ID	1	1			
22	G01497-1	Bx Connector Straight 3/8"	1	1			
23*	G0577-1-6	Element Baffle Pan	1	1			
24*	1472205	Insulation 17 x 12 x 1	1	1			
25	2133899	Control Shield Assembly	1	1		18-Aug-94	
	2352099	Control Shield Assembly	1	1	18-Aug-94		
26*	079113-1	Fibrefrac 970J 1/8"	1	1			
27*	2133999	Element Tray Assembly	1	1			
28*	2134000	Side Liner	2	2			
29*	2134500	Front Liner	1	1			

* NOT ILLUSTRATED

RECOMMENDED STOCK PARTS

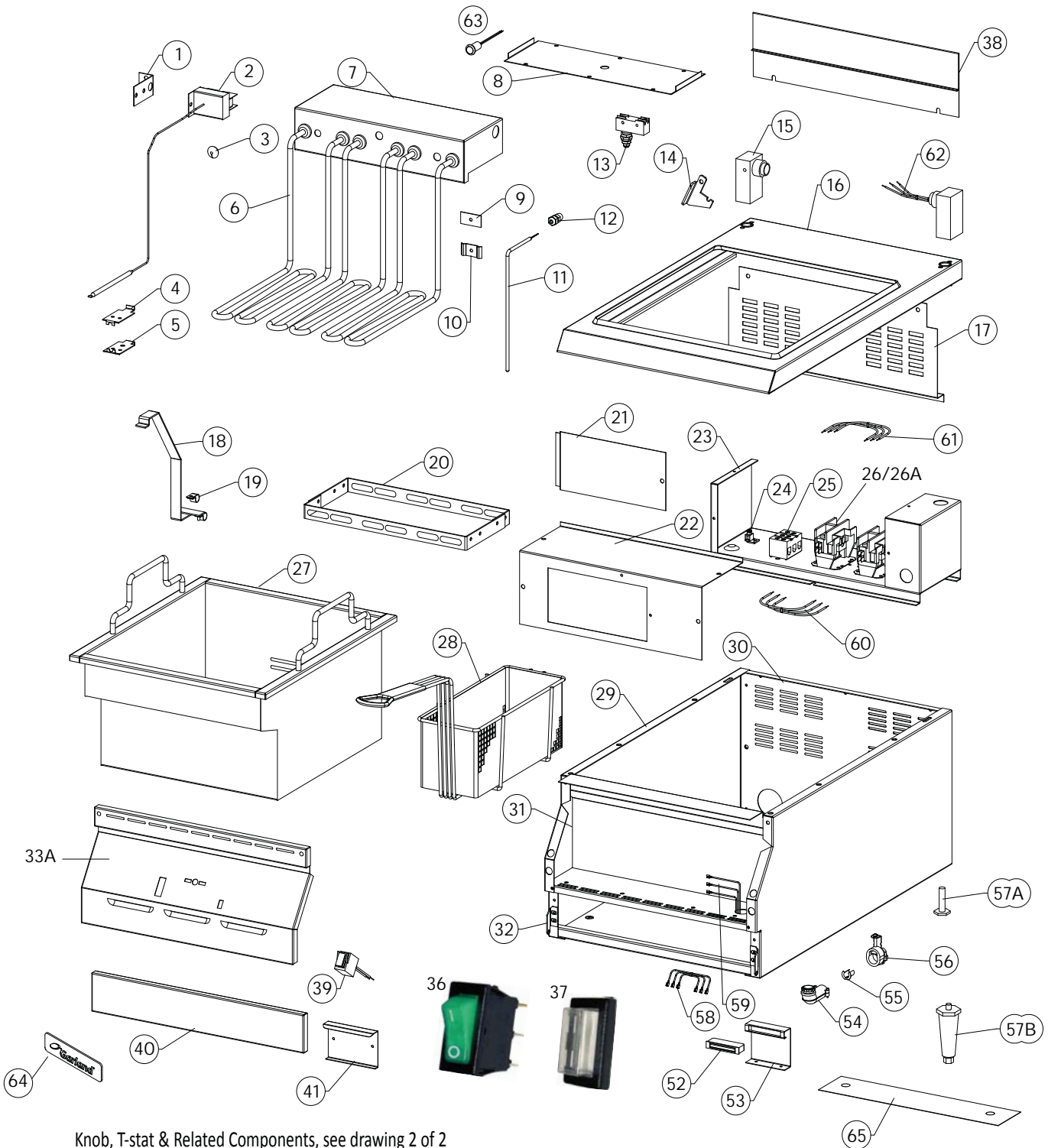
GARLAND PARTS IDENTIFICATION
Food Warmer ED/EDU-15W, ED-15WP

ITEM	PART #	DESCRIPTION	MODEL		DATE		CRITICAL
			QTY		FROM	UP TO	
			ED/EDU-15W	ED-15WP			
30	2137900	Control Panel	1	1		6-May-94	
	2349700	Control Panel 15"	1	1	6-May-94		
31	2139600	Magnet Mounting Bracket	1	1		7-May-94	
	2183500	Magnet Bracket	1	1	7-May-94		
32*	2139700	Control Panel Clip	2	2			
33	2149299	Door Assembly 15"	1	1			
34	2149300	Door Pull	1	1			
35*	2149600	Wireway	1	1			
36*	2174500	Joiner Tab	2	2			
37	2180699	Side Assembly LH - Black (Code 9402CG0180)	1	1			
	2180698	Side - Left Assembly S/S (Code 9402CG0180)	1	1			
	2349498	Body Side Assembly LH (Code 9402CG0181)	1	1			
	2349496	Body Side Assembly LH (Code 9402CG0181)	1	1			
38	2181000	Body Back & Bottom	1	1			
	2181001	Body Back & Bottom S/S	1	1			
39	2180599	Side Assembly RH (Code 9402CG0180)	1	1			
	2180598	Side - Right Assembly S/S (Code 9402CG0180)	1	1			
	2349499	Body Side Assembly RH (Code 9402CG0181)	1	1			
	2349497	Body Side Assembly RH (Code 9402CG0181)	1	1			
40	4529725	Garland Nameplate 4 7/8"	1	1			
41*	2146500	Wiring Diagram Domestic ED-15W	1				
42*	2146600	Wiring Diagram Export ED-15W	1				
43*	2146601	Wiring Diagram EDU-15W CE	1				
44*	2146700	Wiring Diagram ED-15WP		1			
45	2285999	Leg Channel Assembly 15"	2	2			

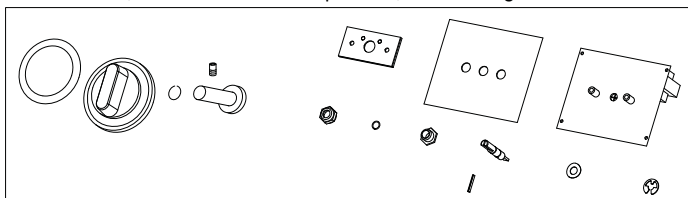
* NOT ILLUSTRATED

RECOMMENDED STOCK PARTS

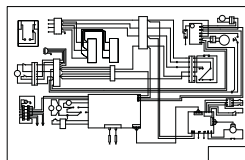
Blank Page



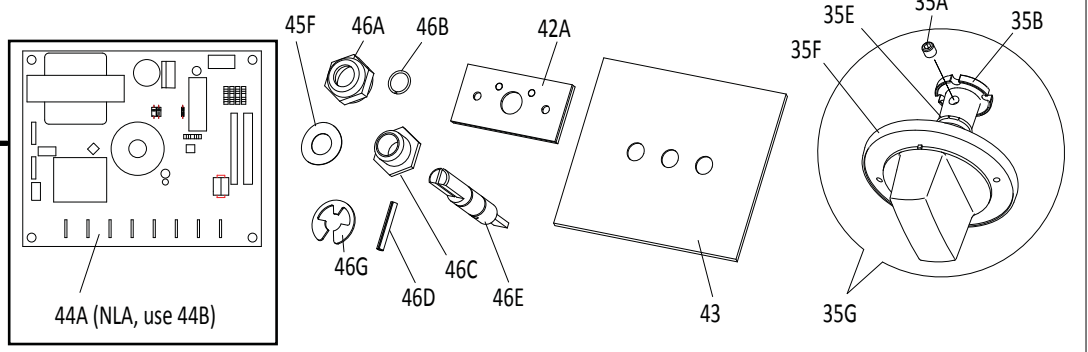
Knob, T-stat & Related Components, see drawing 2 of 2



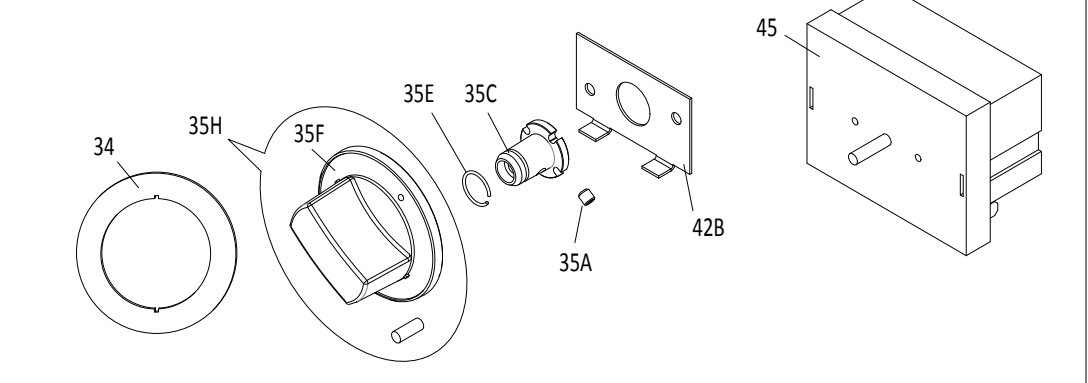
80 - 83 (Wiring Diagrams)



T-stat & Related Components for Units Built UP TO 27-Jan/2010



T-Stat & Related Components for Units Built BETWEEN 28-Jan/2010 and 9-Apr/2012



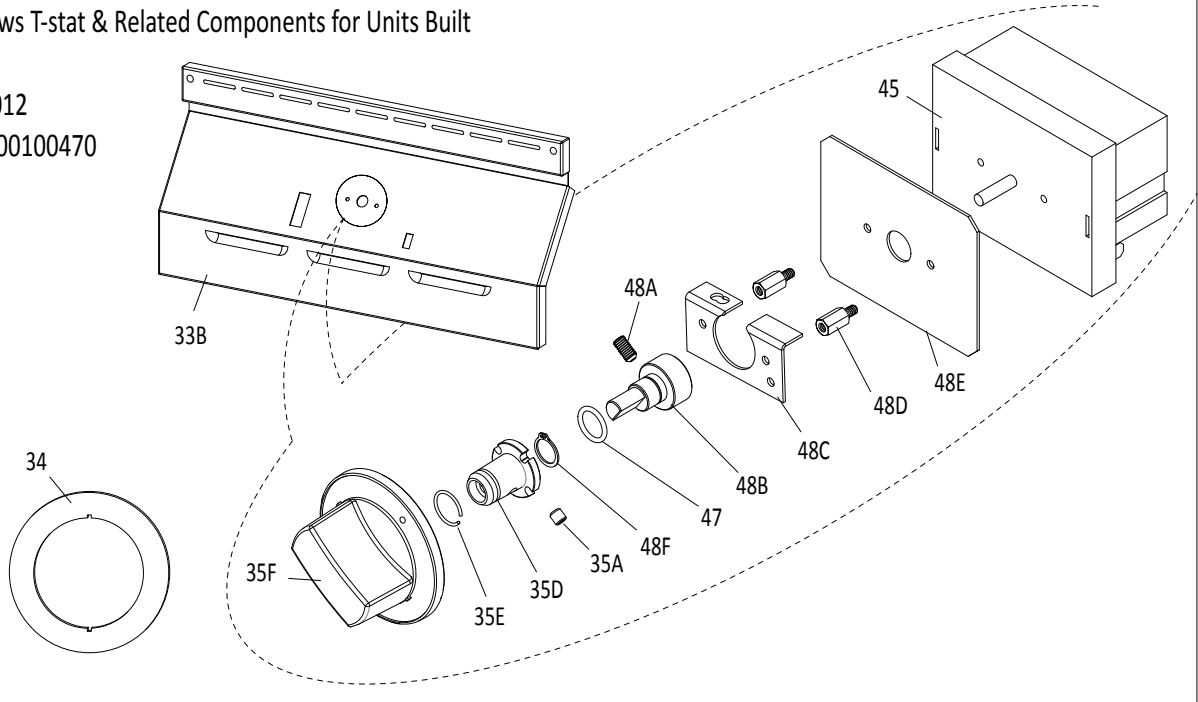
44B T-Stat Kit

Illustration shows T-stat & Related Components for Units Built

FROM:

(date) 9-Apr/2012

(serial#) 1204100100470



GARLAND PARTS IDENTIFICATION

ED Super Fryers

ED-15SF / ED-30SFT / EDU-18SF / EDU-36SFT

ITEM	PART#	DESCRIPTION	QTY				FROM DATE	UP TO DATE	CRITICAL
			ED-15SF	ED-30SFT	EDU-18SF	EDU-36SFT			
1	2158300	Hi-Limit Mounting Bracket	1	2	1	2			
2	2147600	Hi Limit 430 Degrees F	1	2	1	2			
3	G1155-1	Black PVC Grommet #315-463	1	2	1	2			
4	2160700	Bulb Clamp Top	1	2	1	2			
5	2160899	Bulb Clamp Bottom Assembly	1	2	1	2			
6	CK2147500	Super Fryer Element 208V	2	6					C
	CK2147501	Super Fryer Element 220V	3	6					C
	CK2147502	Super Fryer Element 240V	3	6	3	6			C
	2147503	Super Fryer Element 230V			3	6			C
7	2158499	Termination Box Assembly	1	2		2			
	2158497	Termination Box Assembly			1				
8	2158500	Termination Box Cover	1	2					
	2158501	Termination Box Cover CE			1	2			
9	2160499	Clamp Back Assembly	1	2	1	2			
10	2160300	Rtd Clamp	1	2	1	2			
11	2147000	Rtd Sensor-Fryer	1	2	1	2			C
12	2147400	Liquid-Tite Fitting #3444	1	2	1	2			
13	CK4601247	Switch Kit			1	2			C
14	2385400	Termination Box Support	1	2	1	2			
15	2157398	End Post Assembly	2	4	2	4			
16	2384999	Main Top Assembly	1						
	2385199	Main Top Assembly		1					
	2384998	Main Top Assembly			1				
	2385198	Main Top Assembly				1			
17	2157800	Rear Shield	1						
	2157801	Rear Shield		1					
	2157802	Rear Sheild			1				
	2157803	Rear Sheild				1			
18	2160598	Element Lifting Handle	1	2	1	2			
19	F141	Clamp-Tube Tinnerman Use GF141	2	4	2	4			
20	2158699	Element Clamp Assembly	1	2	1	2			
21	2176000	Inspection Cover	1	1	1	1			
22	2157900	Contacto Box Cover	1						
	2157700	Contacto Box Cover		1					
	2157901	Contacto Box Cover			1				
	2157701	Contacto Box Cover				1			
23	2158100	Contacto Box	1						C
	2158000	Contacto Box		1					C
	2158101	Contacto Box			1				C
	2158001	Contacto Box				1			C
24	G01500-1	Ground Terminal 55AMP	1		1				
	G01499-1	Ground Terminal 105A Large SLU-70		1		1			

* NOT ILLUSTRATED

RECOMMENDED STOCK PARTS

GARLAND PARTS IDENTIFICATION
ED Super Fryers

ED-15SF / ED-30SFT / EDU-18SF / EDU-36SFT

ITEM	PART#	DESCRIPTION	QTY				FROM DATE	UP TO DATE	CRITICAL
			ED-15SF	ED-30SFT	EDU-18SF	EDU-36SFT			
25	2147300	Terminal Block 3 Circuit	1		1				
	G01268-1	Terminal Block #824 Export (No Longer Available. Use 2694801(4) or 2694800(5))		3					
	G01268-1	Terminal Block #824 Export (No Longer Available. Use 2694801(4) or 2694800(5))		4					
	G01268-2	Terminal Block End #830 (No Longer Available)		1					
	G01280-3-7	Terminal Block Channel 3 LUG Domestic		1					
	G01280-4-7	Terminal Block Channel 4 LUG Export		1					
	2694800	Export Terminal Block (5)				1			
26	4531014	Contactor Replacement Kit (Field Service Kit) Note: <ul style="list-style-type: none"> • Kit includes a contactor (item 26A), wiring diagrams, install template, fasteners and install instructions. • Implemented FROM (serial#) 1204100100912 (model) ED-15SF-0041 (date) 1-May-20012. • Ref: original 077062-1(Contactor 3 Pole 208/240VAC Coil 30A), discontinued on 1-May-2012. 	2	4	2	4		C	
26A	1489701	Contactor 3 Pole 208/240V 40A	2	4	2	4	1-MAY/12	C	
27	2133599	Fry-Tank Assembly	1	2	1	2		C	
28	G02700-3	Fryer Basket Twin R.H.	1	2	1	2		C	
	G02700-4	Fryer Basket Twin L.H.	1	2	1	2		C	
	G02701-2	Fryer Basket Single (OPTIONAL)							
29	2180699	Body Side Assembly LH Black (Code 9402CG0180)	1	1	1	1			
	2180698	Body Side Assembly LH S/S (Code 9402CG0180)	1	1	1	1			
	2180599	Side Assembly RH (Code 9402CG0180)	1	1	1	1			
	2180598	Side - Right Assembly S/S (Code 9402CG0180)	1	1	1	1			
	2349499	Body Side Assembly RH (Code 9402CG0181)	1	1	1	1			
	2349498	Body Side Assembly LH (Code 9402CG0181)	1	1	1	1			
	2349497	Body Side Assembly RH (Code 9402CG0181)	1	1	1	1			
	2349496	Body Side Assembly LH (Code 9402CG0181)	1	1	1	1			
30	2180899	Body Back & Bottom Assy (15F)	1						
	2180898	Body Back & Bottom S/S	1						
	2181399	Body Back & Bottom Assy (30FT)		1					
	2181398	Body Back & Bottom S/S		1					
	2180897	Body Back & Bottom Assy. 18" W.C.			1				
	2180896	Body Back & Bottom Assy S/S			1				
	2181397	Back & Bottom Assembly W.C.				1			
	2181396	Back & Bottom Assembly S/S				1			
31	2351900	Control Shield	1						
	2352500	Control Shield		1					
	2351902	Control Sheild			1				
	2352502	Control Sheild				1			
32	2149400	Door Hinge Right Hand	1	1	1	1			
	2149401	Door Hinge Left Hand	1	1	1	1			

* NOT ILLUSTRATED

RECOMMENDED STOCK PARTS

GARLAND PARTS IDENTIFICATION
ED Super Fryers

ED-15SF / ED-30SFT / EDU-18SF / EDU-36SFT

ITEM	PART#	DESCRIPTION	QTY				FROM DATE	UP TO DATE	CRITICAL
			ED-15SF	ED-30SFT	EDU-18SF	EDU-36SFT			
33A	2349500	Control Panel	1					9-APR/12	
	2350000	Control Panel		1				9-APR/12	
	2349501	Control Panel			1			9-APR/12	
	2350001	Control Panel				1			
33B	4530539	Control Panel ED-15F/15SF (Backward Compatible)	1				9-APR/12		
	4530541	Control Panel ED-30F/30SF (Backward Compatible)		1			9-APR/12		
	4530540	Control Panel EDU-18F/18SF (Backward Compatible)			1		9-APR/12		
34	2138900	Dial Insert F/ED-15F,30F (F) 200-375	1	2	1	2			
	2138901	Dial Insert F/ED-15FE,30FE (C) 95-192	1	2	1	2			
35A	F561	10-32 - 3/16 Socket Head Screw	1	2	1	2			
35B	3043207	Knob Hub Note: NOT interchangeable with items 35C / 35D.	1	2	1	2		27-JAN/10	
35C	3043208	Hub 1/4" Not Flat Note: • Used FROM (serial#)1001100100982 (model) ED-15F-0008 UP TO (serial#)1204100100470 (model) ED-30FT-0045. • NOT interchangeable with items 35B / 35D.	1	2	1	2	27-JAN/10	9-APR/12	
35D	3043200	Hub (non-FF) Note: NOT interchangeable with items 35B / 35C.	1	2	1		9-APR/12		
35E	3043300	Retaining Spring	1	2	1	2			
35F	3043100	Knob	1	2	1	2			
35G	4512224	Dial Kit (Includes items: 35A, 35B, 35E, 35F)	1	2	1	2		27-JAN/10	
35H	4527733	ED-Fryer Knob Assembly Note: • Includes a Knob (3043100) and a spacer. • Can install this knob asm on an older unit with Hub 3043208 (35C) and Limiter Plate 4527806 (item 42B). See illustration for related components. • Implemented FROM (serial#)1001100100982 (model) ED-15F-0008 UP TO (serial#)1204100100470 (model) ED-30FT-0045.	1	2	1	2	27-JAN/10	9-APR/12	
36	2146800	Illuminated Power Switch	1	2	1	2			
37	3011400	PVC Clear Cap c/w Black Bezel			1	2			
38	2385500	Back Splash	1						
	2385600	Back Splash		1					
	2385501	Back Splash			1				
	2385601	Back Splash 36"				1			
39	2138500	Amber Indicator Light (Obsolete, use CK4533018)	1	2	1	2		30-APR-16	C
	CK4533018	Service Kit for Indicator Light 250V Amber Notes: Kit includes green rectangular 250V light 4533018 and amber rectangular lens 4533017.	1	2	1	2	1-MAY-16		C

* NOT ILLUSTRATED

RECOMMENDED STOCK PARTS

GARLAND PARTS IDENTIFICATION

ED Super Fryers

ED-15SF / ED-30SFT / EDU-18SF / EDU-36SFT

ITEM	PART#	DESCRIPTION	QTY				FROM DATE	UP TO DATE	CRITICAL
			ED-15SF	ED-30SFT	EDU-18SF	EDU-36SFT			
40	2149299	Door Assembly 15"	1						
	2149296	Door Assembly 30"		1					
	2149298	Door Assembly 18"			1				
	2149295	Door Assembly 36"				1			
41	2149300	Door Pull	1	1	1	1			
42A	2491500	Stop Plate Assembly	1	2	1	2		27-JAN/10	
42B	4527806	Mechanical Limiter Plate ED-Fryers	1	2	1	2	28-JAN/10	9-APR/12	
43	2159300	Insulator-Thermostat	1	2	1	2		27-JAN/10	
44A	2142000	Electronic Thermostat 200-375F Note: Part is No Longer Available . Use Conversion Kit (item# 44B).	1	2	1	2	NLA	27-JAN/10	C
44B	4531019	Tstat Kit - ED15 F/SF	1					9-APR/12 see Note	
	4531020	Tstat Kit - ED30 FT/SFT		1				9-APR/12 see Note	
	4531021	Tstat Kit - EDU18 F/SF			1			9-APR/12 see Note	
	Note: <ul style="list-style-type: none"> Kit includes components as shown in illustration and install instructions (4531018). Use one of these Kits for any unit built UP TO 9-Apr-2012. Components in these Kits are used in units built FROM (serial#) 1204100100470 (model) ED-30FT-0045 (date) 9-Apr-2012. 								
45	4527081	Electronic Thermostat Note: For any unit built between 28-Jan/2010 and 9-Apr/2012, please refer to Bulletin GAR-03-13-AIC for thermostat replacement options.	1	2	1	2	28-JAN/10		C
46A	2358200	Shaft Seal N9030 x 1/4	1	2	1	2		27-JAN/10	
46B	2382800	Shaft Retaining Spring	1	2	1	2		27-JAN/10	
46C	2167300	Panel Bearing Assembly	1	2	1	2		27-JAN/10	
46D	2167000	Spring Tension Pin	1	2	1	2		27-JAN/10	
46E	2166800	Potentiometer Shaft	1	2	1	2		27-JAN/10	
46F	2167100	Bowed Spring Washer	1	2	1	2		27-JAN/10	
46G	2167200	Retaining Ring	1	2	1	2		27-JAN/10	
47	4530531	0.437 O-Ring	1	1	1		9-APR/12		
48A	F648	#10 - 32 x 3/8 Set Screw	1	1	1		9-APR/12		
48B	4530532	Tstat Shaft Extension	1	1	1		9-APR/12		
48C	4530537	Fryer Control Stop	1	1	1		9-APR/12		
48D	F646	#6 - 32 x 0.437 Standoff	2	2	2		9-APR/12		
48E	4530538	Fryer Control Plate	1	1	1		9-APR/12		
48F	F647	Extension Retaining Ring 0.437	1	1	1		9-APR/12		
52	078174-1	Magnetic Door Catch	1	1	1	1			C
53	2139600	Magnet Mounting Bracket	1	1	1	1		5-MAY/91	
	2183500	Magnet Bracket	1	1	1	1	5-MAY/91		
54	1028500	Connector 3/8" 90 deg. Romex	1	2	1	2			
55	1029600	Antishorts #1	2	4	2	4			

* NOT ILLUSTRATED

RECOMMENDED STOCK PARTS

GARLAND PARTS IDENTIFICATION
ED Super Fryers

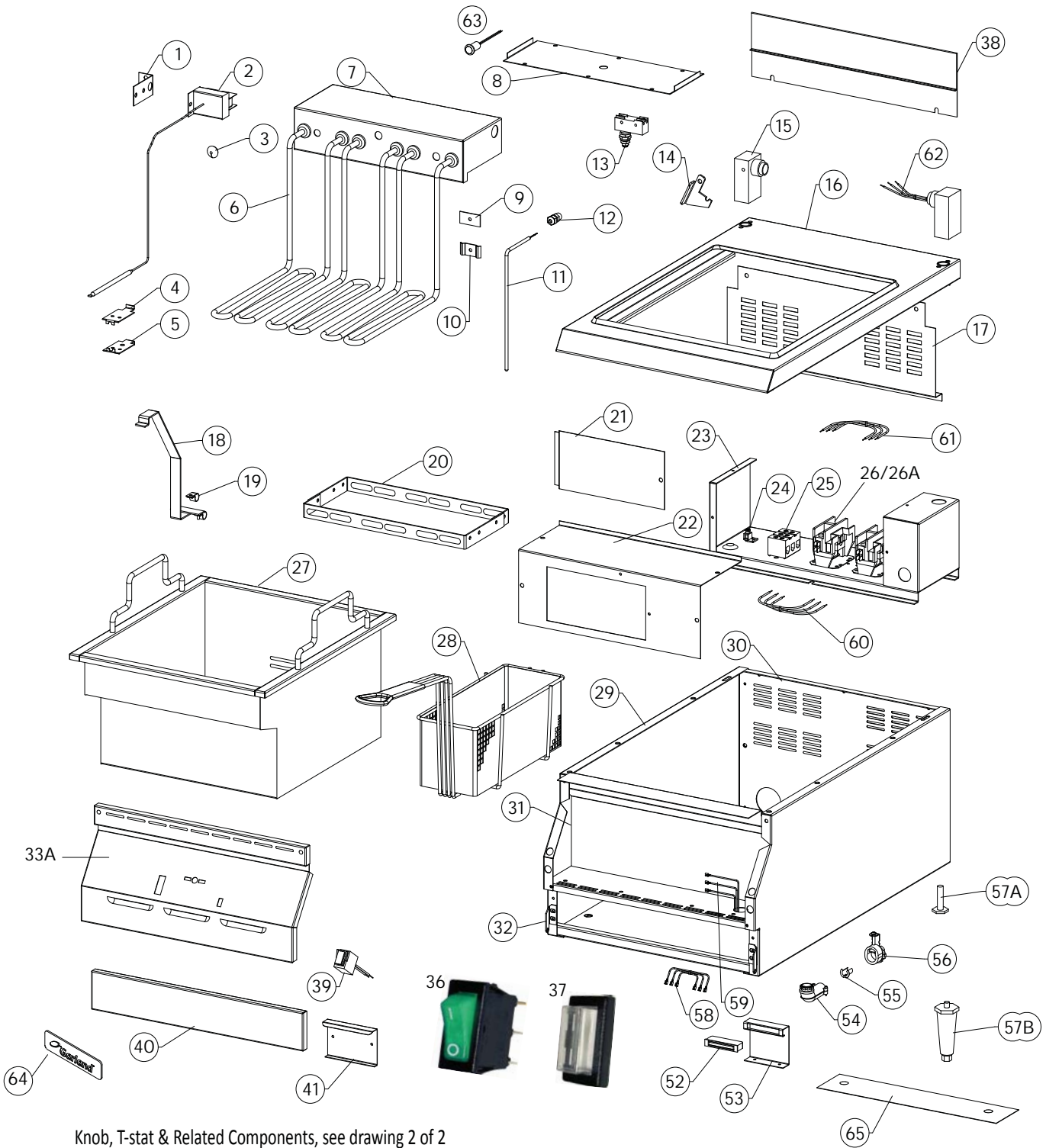
ED-15SF / ED-30SFT / EDU-18SF / EDU-36SFT

ITEM	PART#	DESCRIPTION	QTY				FROM DATE	UP TO DATE	CRITICAL
			ED-15SF	ED-30SFT	EDU-18SF	EDU-36SFT			
56	G01497-1	Bx Connector Straight 3/8"	1	2	1	2			
57A	F157	Levelling Bolt 3/8-16 x 1-1/16"	4	4	4	4			
57B	078109-2	Metal Leg (Optional)	4	4	4	4			
57C*	G01503-10	Leg Weld Nut	4	4	4	4			
58	2169200	Panel Control Wire F/ED 15F,30F	1	2	1	2			
59	2169100	Contactora Control Wire F/ED-15F	1						
	2170500	Contactora Control Wire F/ED-30F		1					
	2169101	Control Wires - Contactora			1				
	2170501	Control Wires - Contactora				1			
60	2168800	Contactora Jumper F/ED-15F,30F Export	1	2	1				
	2168801	Contactora Jumper				2			
	2170000	Contactora Jumper F/ED-30F Domestic		1					
61	2168700	Contactora Wire F/ED-15F Domestic	1						
	2168701	Contactora Wire F/ED-15F Export	1		1				
	2169900	Contactora Wire F/ED-30F Domestic		1					
	2169901	Contactora Wires F/ED-30F Export		1		1			
62	2168900	Left End Post Wire F/ED-15F Dom.	1						
	2168901	Left End Post Wire F/ED-15F Export	1						
	2168902	Left End Post Wires Harness			1				
	2169000	Right End Post Wire F/ED-15F Domestic	1						
	2169001	Right End Post Wire F/ED-15F Export	1		1				
	2170100	LF Left End Post Wire F/ED-30F Domestic		1					
	2170101	LF Left End Post Wire EXPED30F Export		1					
	2170102	L.F. Left End Post Wires Harness				1			
	2170200	LF Right End Post Wire F/ED30F Domestic		1					
	2170201	LF Right End Post Wire F/ED30F Export		1		1			
	2170300	RF Left End Post Wire F/ED-30F Domestic		1					
	2170301	RF Left End Post Wire F/ED-30F Export		1					
	2170302	R.F. Left End Post Wires Harness				1			
2170400	RF Right End Post Wire F/ED30F Domestic		1						
2170401	Right End Post Wire F/ED30F Export		1		1				
63	G01296-1	Pilot Red 240V			1	1			C
64	4529725	Garland Nameplate 4 7/8"	1	1	1	1			
65	2285999	Leg Channel Assembly 15"	2						
	2285998	Leg Channel Assembly 18"			2				
	2285996	Leg Channel Assembly 30"		2					
	2285995	Leg Channel Assembly 36"				2			
80*	2145700	Wiring Diagram	ED-15SF-DOM						
	2145800	Wiring Diagram	ED-15SF-EXP						
81*	2145900	Wiring Diagram	ED-30SF-DOM						
	2144600	Wiring Diagram	ED-30SF-EXP						
82*	2145801	Wiring Diagram	EDU-18SF						
83*	2146001	Wiring Diagram	EDU-36SF						

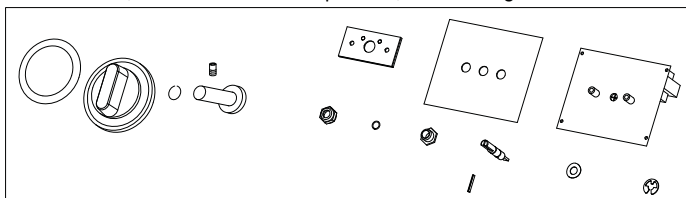
* NOT ILLUSTRATED

RECOMMENDED STOCK PARTS

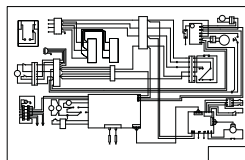
Blank Page



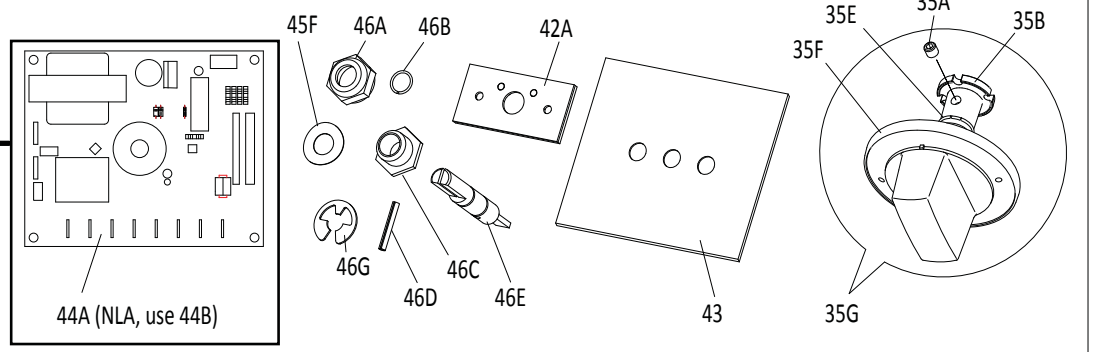
Knob, T-stat & Related Components, see drawing 2 of 2



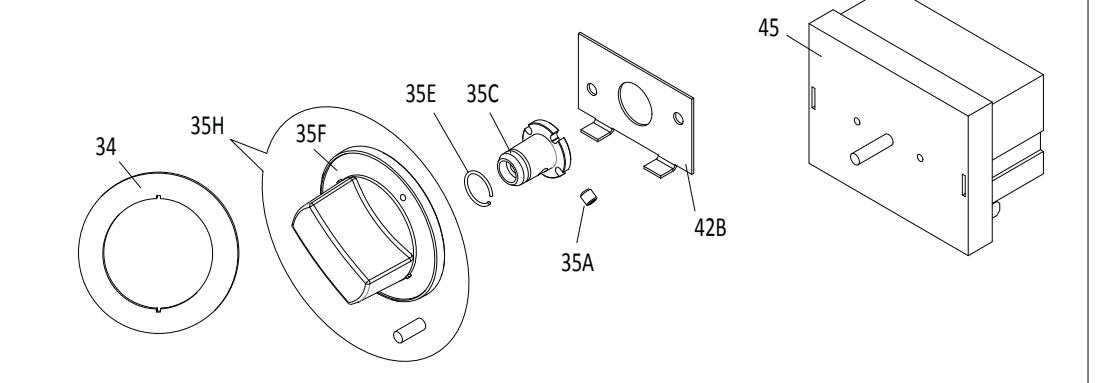
80 - 83 (Wiring Diagrams)



T-stat & Related Components for Units Built UP TO 27-Jan/2010



T-Stat & Related Components for Units Built BETWEEN 28-Jan/2010 and 9-Apr/2012



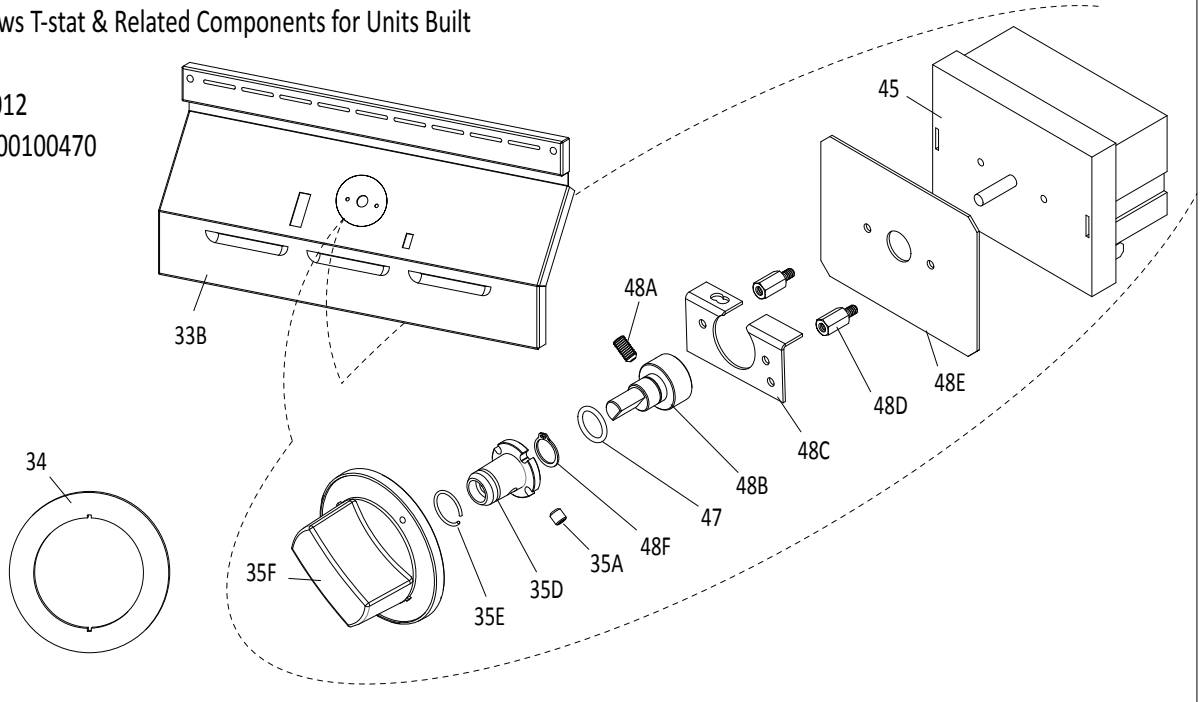
44B T-Stat Kit

Illustration shows T-stat & Related Components for Units Built

FROM:

(date) 9-Apr/2012

(serial#) 1204100100470



GARLAND PARTS IDENTIFICATION

ED Fryers

ED-15F / ED-30FT / EDU-18F / EDU-36FT

ITEM	PART#	DESCRIPTION	QTY				FROM DATE	UP TO DATE	CRITICAL
			ED-15F	ED-30FT	EDU-18F	EDU-36FT			
1	2158300	Hi-Limit Mounting Bracket	1	2	1	2			
2	2147600	Hi Limit 430 Degrees F	1	2	1	2			
3	G1155-1	Black PVC Grommet #315-463	1	2	1	2			
4	2160700	Bulb Clamp Top	1	2	1	2			
5	2160899	Bulb Clamp Bottom Assembly	1	2	1	2			
6	CK2185500	Super Fryer Element 208V 5.3kW	1	2	1	2			C
	CK2185501	Super Fryer Element 220V 5.929kW	1	2	1	2			C
	CK2185502	Super Fryer Element 240V 5.3kW	1	2	1	2			C
	2185503	Important: Use Part 2185502 Fryer Element 240V 5.3kW to replace Part 2185503 Fryer Element 230V.			1	2			C
7	2158498	Termination Box Assembly	1	2					
	2158496	Termination Box Assembly			1	2			
8	2158500	Termination Box Cover	1	2					
	2158501	Termination Box Cover CE.			1	2			
9	2160499	Clamp Back Assembly	1	2	1	2			
10	2160300	Rtd Clamp	1	2	1	2			
11	2147000	Rtd Sensor-Fryer	1	2	1	2			C
12	2147400	Liquid-Tite Fitting #3444	1	2	1	2			
13	CK4601247	Switch W/Sealing Cap X01-E1G6			1	2			C
14	2385400	Termination Box Support	1	2	1	2			
15	2157398	End Post Assembly	2	4	2	4			
16	2384999	Main Top Assy	1						
	2385199	Main Top Assy		1					
	2384998	Main Top Assembly			1				
	2385198	Main Top Assembly				1			
17	2157800	Rear Shield	1						
	2157801	Rear Shield		1					
	2157802	Rear Sheild			1				
	2157803	Rear Sheild				1			
18	2160598	Element Lifting Handle	1	2	1	2			
19	F141	Clamp-Tube Tinnerman Use GF141	2	4	2	4			
20	2158699	Element Clamp Assembly	1	2	1	2			
21	2176000	Inspection Cover	1	1	1	1			
22	2157900	Contacto Box Cover	1						
	2157700	Contacto Box Cover		1					
	2157901	Contacto Box Cover			1				
	2157701	Contacto Box Cover				1			
23	2158100	Contacto Box	1						C
	2158000	Contacto Box		1					C
	2158101	Contacto Box			1				C
	2158001	Contacto Box				1			C
24	G01500-1	Ground Terminal 55AMP	1		1				
	G01499-1	Ground Terminal 105A Large SLU-70		1		1			

* NOT ILLUSTRATED

RECOMMENDED STOCK PARTS

GARLAND PARTS IDENTIFICATION

ED Fryers

ED-15F / ED-30FT / EDU-18F / EDU-36FT

ITEM	PART#	DESCRIPTION	QTY				FROM DATE	UP TO DATE	CRITICAL
			ED-15F	ED-30FT	EDU-18F	EDU-36FT			
25	2147300	Terminal Block 3 Circuit	1		1				
	G01268-1	Terminal Block #824 Export (No Longer Available. Use 2694801(4) or 2694800(5))		3					
	G01268-1	Terminal Block #824 Export (No Longer Available. Use 2694801(4) or 2694800(5))		4					
	G01268-2	Terminal Block End #830 (No Longer Available)		1					
	G01280-3-7	Terminal Block Channel 3 LUG Domestic		1					
	G01280-4-7	Terminal Block Channel 4 LUG Export		1					
	2694800	Export Terminal Block (5)				1			
26	2186900	Contactora Single Pole	2	4	2	4			C
27	2133599	Fry-Tank Assembly	1	2	1	2			C
28	G02700-3	Fryer Basket Twin R.H.	1	2	1	2			C
	G02700-4	Fryer Basket Twin L.H.	1	2	1	2			C
	G02701-2	Fryer Basket Single (OPTIONAL)							
29	2180699	Body Side Assembly LH Black (Code 9402CG0180)	1	1	1	1			
	2180698	Body Side Assembly LH S/S (Code 9402CG0180)	1	1	1	1			
	2180599	Side Assembly RH (Code 9402CG0180)	1	1	1	1			
	2180598	Side - Right Assembly S/S (Code 9402CG0180)	1	1	1	1			
	2349499	Body Side Assembly RH (Code 9402CG0181)	1	1	1	1			
	2349498	Body Side Assembly LH (Code 9402CG0181)	1	1	1	1			
	2349497	Body Side Assembly RH (Code 9402CG0181)	1	1	1	1			
	2349496	Body Side Assembly LH (Code 9402CG0181)	1	1	1	1			
30	2180899	Body Back & Bottom Assy (15F)	1						
	2180898	Body Back & Bottom S/S	1						
	2181399	Body Back & Bottom Assy (30FT)		1					
	2181398	Body Back & Bottom S/S		1					
	2180897	Body Back & Bottom Assy. 18" W.C.			1				
	2180896	Body Back & Bottom Assy S/S			1				
	2181397	Back & Bottom Assembly W.C.				1			
2181396	Back & Bottom Assembly S/S				1				
31	2351900	Control Shield	1						
	2352500	Control Shield		1					
	2351902	Control Sheild			1				
	2352502	Control Sheild				1			
32	2149400	Door Hinge Right Hand	1	1	1	1			
	2149401	Door Hinge Left Hand	1	1	1	1			
33A	2349500	Control Panel	1					9-APR/12	
	2350000	Control Panel		1				9-APR/12	
	2349501	Control Panel			1			9-APR/12	
	2350001	Control Panel				1			
33B	4530539	Control Panel ED-15F/15SF (Backward Compatible)	1				9-APR/12		
	4530541	Control Panel ED-30F/30SF (Backward Compatible)		1			9-APR/12		
	4530540	Control Panel EDU-18F/18SF (Backward Compatible)			1		9-APR/12		
34	2138900	Dial Insert F/ED-15F,30F (F) 200-375	1	2	1	2			
	2138901	Dial Insert F/ED-15FE,30FE (C) 95-192	1	2	1	2			
35A	F561	10-32 - 3/16 Socket Head Screw	1	2	1	2			

* NOT ILLUSTRATED

RECOMMENDED STOCK PARTS

GARLAND PARTS IDENTIFICATION

ED Fryers

ED-15F / ED-30FT / EDU-18F / EDU-36FT

ITEM	PART#	DESCRIPTION	QTY				FROM DATE	UP TO DATE	CRITICAL
			ED-15F	ED-30FT	EDU-18F	EDU-36FT			
35B	3043207	Knob Hub Note: NOT interchangeable with items 35C / 35D.	1	2	1	2		27-JAN/10	
35C	3043208	Hub 1/4" Not Flat Note: • Used FROM (serial#)1001100100982 (model) ED-15F-0008 UP TO (serial#)1204100100470 (model) ED-30FT-0045. • NOT interchangeable with items 35B / 35D.	1	2	1	2	27-JAN/10	9-APR/12	
35D	3043200	Hub (non-FF) Note: NOT interchangeable with items 35B / 35C.	1	2	1		9-APR/12		
35E	3043300	Retaining Spring	1	2	1	2			
35F	3043100	Knob	1	2	1	2			
35G	4512224	Dial Kit (Includes items: 35A, 35B, 35E, 35F)	1	2	1	2		27-JAN/10	
35H	4527733	ED-Fryer Knob Assembly Note: • Includes a Knob (3043100) and a spacer. • Can install this knob asm on an older unit with Hub 3043208 (35C) and Limiter Plate 4527806 (item 42B). See illustration for related components. • Implemented FROM (serial#)1001100100982 (model) ED-15F-0008 UP TO (serial#)1204100100470 (model) ED-30FT-0045.	1	2	1	2	27-JAN/10	9-APR/12	
36	2146800	Illuminated Power Switch	1	2	1	2			
37	3011400	PVC Clear Cap c/w Black Bezel			1	2			
38	2385500	Back Splash	1						
	2385600	Back Splash		1					
	2385501	Back Splash			1				
	2385601	Back Splash 36"				1			
39	2138500	Amber Indicator Light (Obsolete, use CK4533018)	1	2	1	2		30-APR-16	C
	CK4533018	Service Kit for Indicator Light 250V Amber Notes: Kit includes green rectangular 250V light 4533018 and amber rectangular lens 4533017.	1	2	1	2	1-MAY-16		C
40	2149299	Door Assembly 15"	1						
	2149296	Door Assembly 30"		1					
	2149298	Door Assembly 18"			1				
	2149295	Door Assembly 36"				1			
41	2149300	Door Pull	1	1	1	1			
42A	2491500	Stop Plate Assembly	1	2	1	2		27-JAN/10	
42B	4527806	Mechanical Limiter Plate ED-Fryers	1	2	1	2	28-JAN/10	9-APR/12	
43	2159300	Insulator-Thermostat	1	2	1	2		27-JAN/10	
44A	2142000	Electronic Thermostat 200-375F Note: Part is No Longer Available . Use Conversion Kit (item# 44B).	1	2	1	2	NLA	27-JAN/10	C

* NOT ILLUSTRATED

RECOMMENDED STOCK PARTS

GARLAND PARTS IDENTIFICATION

ED Fryers

ED-15F / ED-30FT / EDU-18F / EDU-36FT

ITEM	PART#	DESCRIPTION	QTY				FROM DATE	UP TO DATE	CRITICAL
			ED-15F	ED-30FT	EDU-18F	EDU-36FT			
44B	4531019	Tstat Kit - ED15 F/SF	1				9-APR/12 see Note		
	4531020	Tstat Kit - ED30 FT/SFT		1			9-APR/12 see Note		
	4531021	Tstat Kit - EDU18 F/SF			1		9-APR/12 see Note		
	Note: <ul style="list-style-type: none"> Kit includes components as shown in illustration and install instructions (4531018). Use one of these Kits for any unit built UP TO 9-Apr-2012. Components in these Kits are used in units built FROM (serial#) 1204100100470 (model) ED-30FT-0045 (date) 9-Apr-2012. 								
45	4527081	Electronic Thermostat Note: For any unit built between 28-Jan/2010 and 9-Apr/2012, please refer to Bulletin GAR-03-13-AIC for thermostat replacement options.	1	2	1	2	28-JAN/10	C	
46A	2358200	Shaft Seal N9030 x 1/4	1	2	1	2		27-JAN/10	
46B	2382800	Shaft Retaining Spring	1	2	1	2		27-JAN/10	
46C	2167300	Panel Bearing Assembly	1	2	1	2		27-JAN/10	
46D	2167000	Spring Tension Pin	1	2	1	2		27-JAN/10	
46E	2166800	Potentiometer Shaft	1	2	1	2		27-JAN/10	
46F	2167100	Bowed Spring Washer	1	2	1	2		27-JAN/10	
46G	2167200	Retaining Ring	1	2	1	2		27-JAN/10	
47	4530531	0.437 O-Ring	1	1	1		9-APR/12		
48A	F648	#10 - 32 x 3/8 Set Screw	1	1	1		9-APR/12		
48B	4530532	Tstat Shaft Extension	1	1	1		9-APR/12		
48C	4530537	Fryer Control Stop	1	1	1		9-APR/12		
48D	F646	#6 - 32 x 0.437 Standoff	2	2	2		9-APR/12		
48E	4530538	Fryer Control Plate	1	1	1		9-APR/12		
48F	F647	Extension Retaining Ring 0.437	1	1	1		9-APR/12		
52	078174-1	Magnetic Door Catch	1	1	1	1		C	
53	2139600	Magnet Mounting Bracket	1	1	1	1		5-MAY/91	
	2183500	Magnet Bracket	1	1	1	1	5-MAY/91		
54	1028500	Connector 3/8" 90 DEG. Romex	1	2	1	2			
55	1029600	Antishorts #1	2	4	2	4			
56	G01497-1	Bx Connector Straight 3/8".	1	2	1	2			
57A	F157	Levelling Bolt-3/8-16X1 1/16"	4	4	4	4			
57B	078109-2	Metal Leg (Optional)	4	4	4	4			
57C*	G01503-10	Leg Weld Nut	4	4	4	4			
58	2169200	Panel Control Wire F/ED15F,30F	1	2	1	2			
59	2169100	Contact Control Wire F/ED-15F	1						
	2170500	Contact Control Wire F/ED-30F		1					
	2169101	Control Wires - Contactor			1				
	2170501	Control Wires - Contactor				1			
60	2168800	Contact Jumper F/ED-15F,30F Export	1	2	1				
	2168801	Contact Jumper				2			

* NOT ILLUSTRATED

RECOMMENDED STOCK PARTS

GARLAND PARTS IDENTIFICATION

ED Fryers

ED-15F / ED-30FT / EDU-18F / EDU-36FT

ITEM	PART#	DESCRIPTION	QTY				FROM DATE	UP TO DATE	CRITICAL
			ED-15F	ED-30FT	EDU-18F	EDU-36FT			
61	2184801	Contacto Wire	1						
	2184803	Contacto Wire	1		1				
	2184800	Contacto Wire		1					
	2184802	Contacto Wires		1		1			
62	2184900	Left End Post Wires	1						
	2184901	Left End Post Wire Harness			1				
	2185000	Right End Post Wires	1						
	2185001	Right End Post Wires	1		1				
	2185100	L.F. Left End Post Wires		1					
	2185101	L.F. Left End Post Wires Harness				1			
	2185200	L.F.Right End Post Wires		1					
	2185201	L.F.Right End Post Wires		1		1			
	2185300	R.F. Left End Post Wires		1					
	2185301	R.F. Left End Post Wires Harness				1			
	2185400	R.F.Right End Post Wires		1					
2185401	R.F.Right End Post Wires		1		1				
63	G01296-1	Pilot Red 240V			1	1			C
64	4529725	Garland Nameplate 4 7/8"	1	1	1	1			
65	2285999	Leg Channel Assembly 15"	2						
	2285998	Leg Channel Assembly 18"			2				
	2285996	Leg Channel Assembly 30"		2					
	2285995	Leg Channel Assembly 36"				2			
80*	2184400	Wiring Diagram	ED-15F - DOM						
	2184500	Wiring Diagram	ED-15F - EXP						
81*	2184600	Wiring Diagram	ED-30F - DOM						
	2184700	Wiring Diagram	ED-30F - EXP						
82*	2184501	Wiring Diagram	EDU-18F						
83*	2184701	Wiring Diagram	EDU-36F						

* NOT ILLUSTRATED

RECOMMENDED STOCK PARTS

Related Bulletins (ED Series Electric Counter Equipment)

BULLETIN #	SUBJECT	DATE
GAR-03-13-AIC	ED Fryer, ED Super Fryer, Thermostat Replacement Options	13-MAR-13

Revision History (ED Series Electric Counter Equipment)

REV	PAGE#	ITEM#	NOTES	DATE	
14			Added - critical column	MAR 17/08	
	8		New Drawing		
	10	52,53	New P/N		
15	10	53	Added serial#	MAR 28/08	
16	24,30		New drawing	APR 03/08	
	26	38	Added p/n		
	32	38	Added p/n		
17	21	15	New p/n, was G2840-1 (Cord & Plug Set 3/14 wire 15A)	JUL 11/08	
18	13	4	Part# changed, was 0791130-1 (Fibrefrac 970J 1/8")	OCT 18/10	
	16		New drawing		
	17		3		Part G0875-4, NLA
			4		P/N was G0857-1-9. QTY changed.
	18		40		Now illustrated.
			41A		New P/N
			41B		Item was #41. P/N was 2426000
			41C		Item was #42
	25	6	Added Note.		
	26, 32		35B		Added 3043208, dates.
			35E		Added 4527733, dates.
27		45,46,47,48, 49,50,51	"Used UP TO" date added.		
27,32		42	Added 4527806, dates.		
		44	Added Note.		
19	18	41A	Removed part. Was CK140 Prop Kit.	NOV 1/10	
	26	26	Revised P/N, description of contactor	FEB 9/12	
20	27	26	New contactor kit 4531014, to replace 077062-1	JUN 15/12	
		26A	New contactor 1489701		
	25,33		New illustrations for knob, t-stat and related parts.		
	24-38		New T-stat kits 4531019/4531020/4531021. Kits include a number of new components. See illustrations.		
	27,33	44	Removed kit 4527731. Components are still available for purchase.		
			Ref: New book format		
21	29, 37	45	Added new bulletin info. Modified illustrations.	MAR 14/13	
22	26, 34	7	Corrected part#, Terminal Box Assemblies.	JUN 12/13	
23	ALL		Logo/Garland nameplate, old 3077101, new 4529725	MAY 9/16	
	15	55	Added quantity.		
	18	45, 46, 47	Added quantity.		
	19	54	Added quantity.		
	22	41,42,43,44	Added quantity.		
	5, 17, 21	8, 21, 14	Infinite switch, added CK to part#. Kit includes fasteners required.		
	9	6	6-Heat switch, was 2146900. Replaced by 4523166 (CSA) / 4523167 (CE)		
	26, 34	6	Element. Added CK to part# except 2147503. Kit incl. fasteners required.		
	26, 34	13	Switch, 2398600 is replaced by CK4601247.		
5, 9, 17, 21	9, 7, 22, 9	Added green indicator light kit CK4533015. Light 2138504 is obsolete. ECO-000497.			
13, 28, 36	13, 39, 39	Added amber indicator light kit CK4533018. Light 2138500 is obsolete. ECO-000497.			
24	28, 36	39, 39	Corrected errors in descriptions.	JUNE 21/16	

** Page#/Item# reference the specific page/item numbers in the corresponding Revision only.



1-844-724-CARE • www.mtwkitchencare.com