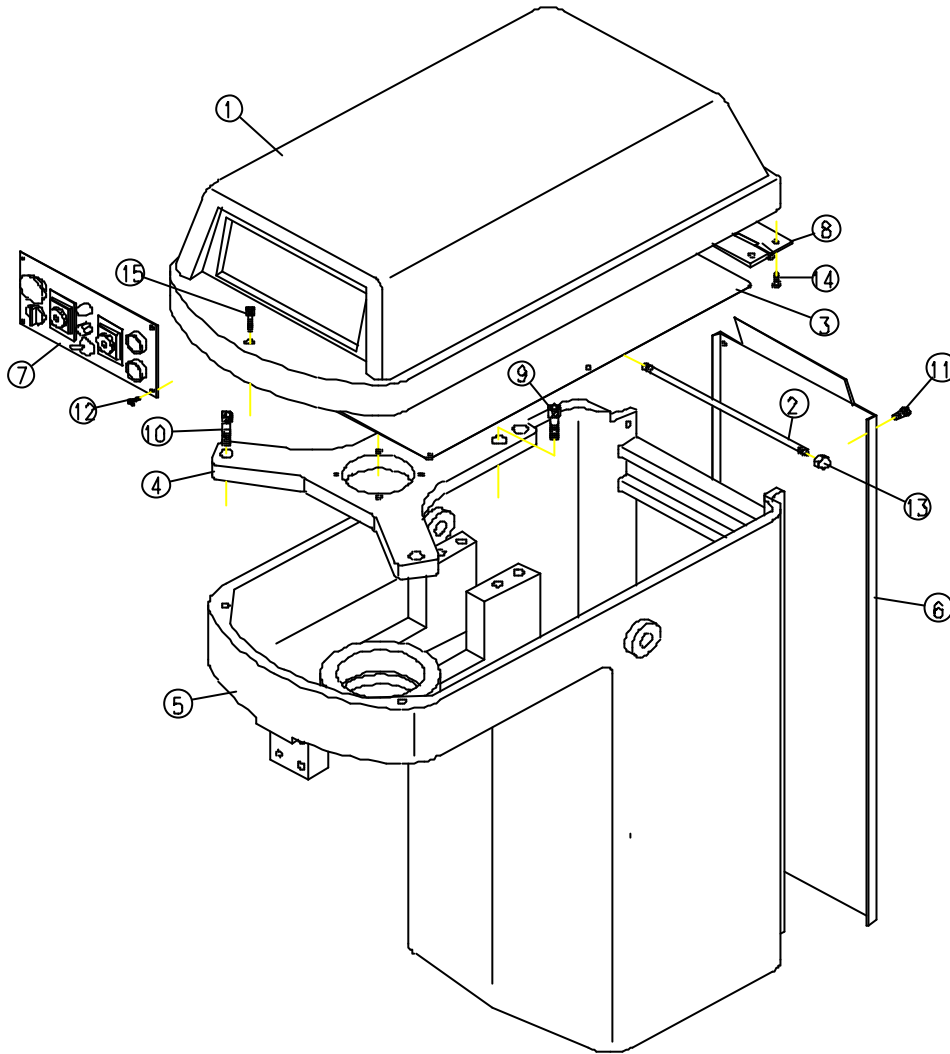
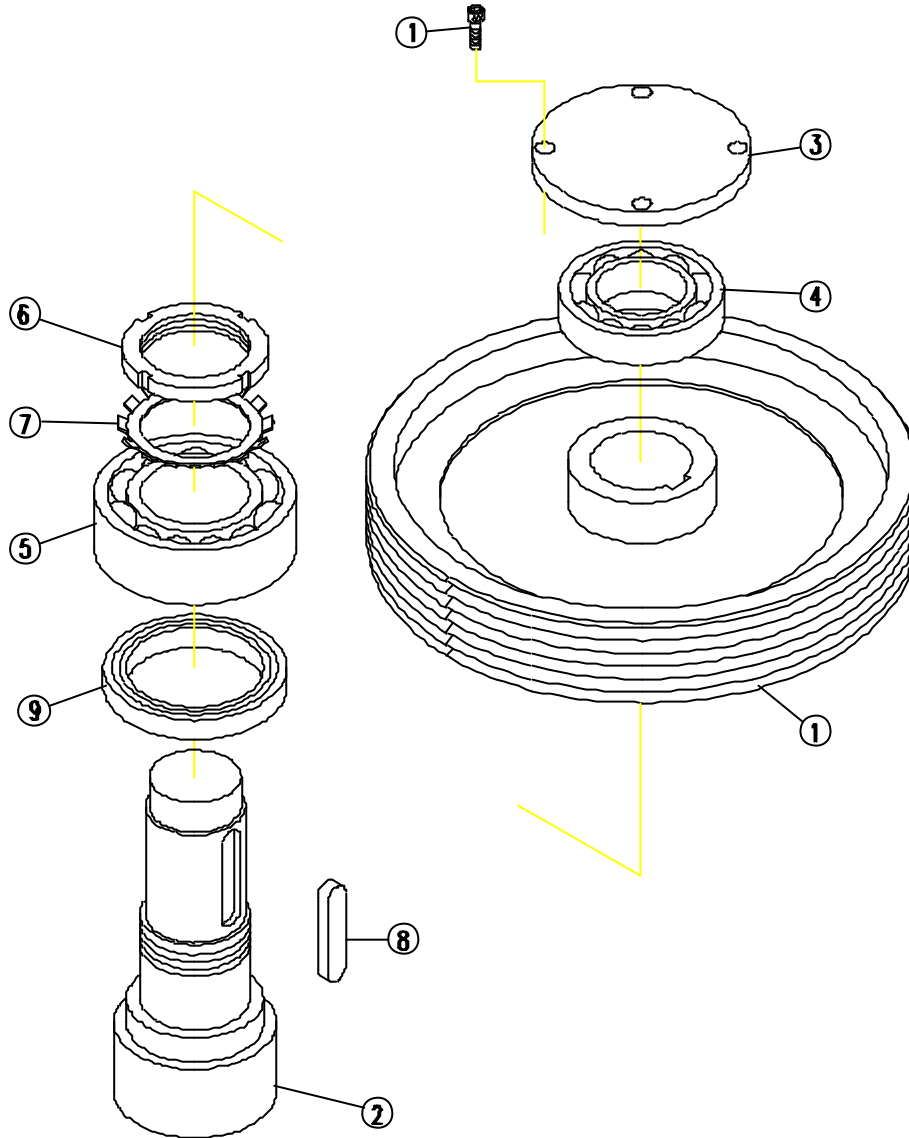


**Figure 1. TOP COVER & COLUMN**

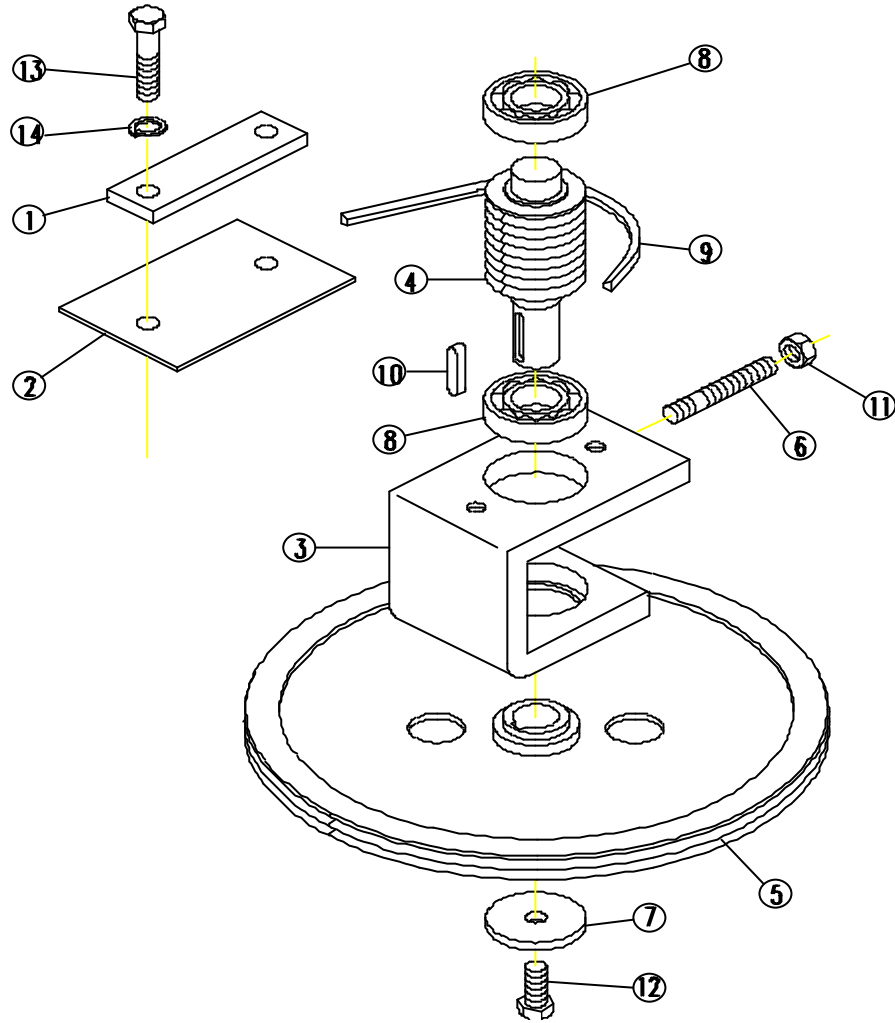
	Description or Name	HL Part No.	Qty	Unit Price US\$	Remark
1	Top Cover	17066-01-001	1	140	
2	Screw	17066-01-002	1	5	
3	Plate	17066-01-003	1	12	
4	Bearing Retainer	17045-01-004	1	60	
5	Column	17045-01-005	1	550	
6	Rear Cover	17045-01-006	1	18	
7	Control Panel	17066-01-007	1	18	
8	Hinge	17066-01-008	2	2.2	
9	Cap Screw 1/2" * 1-1/2"	S-C-1/2*1-1/2	4	0.5	
10	Cap Screw 3/8" * 1-1/2"	S-C-3/8*1-1/2	2	0.3	
11	Bolt 1/4" * 3/8"	S-1/4*3/8	4	0.03	
12	Mach Screw 3/16" * 1/4"	S+R3/16*1/4	4	0.01	
13	Nut 5/16" * 18NC	NUT-5/16*18NC	2	0.2	
14	Mach Screw 1/4" * 3/8"	S+R1/4*3/8	6	0.02	
15	Cap Screw 1/4" * 2"	S-C-1/4*2	1	0.3	

**Figure 2. MAIN SHAFT**



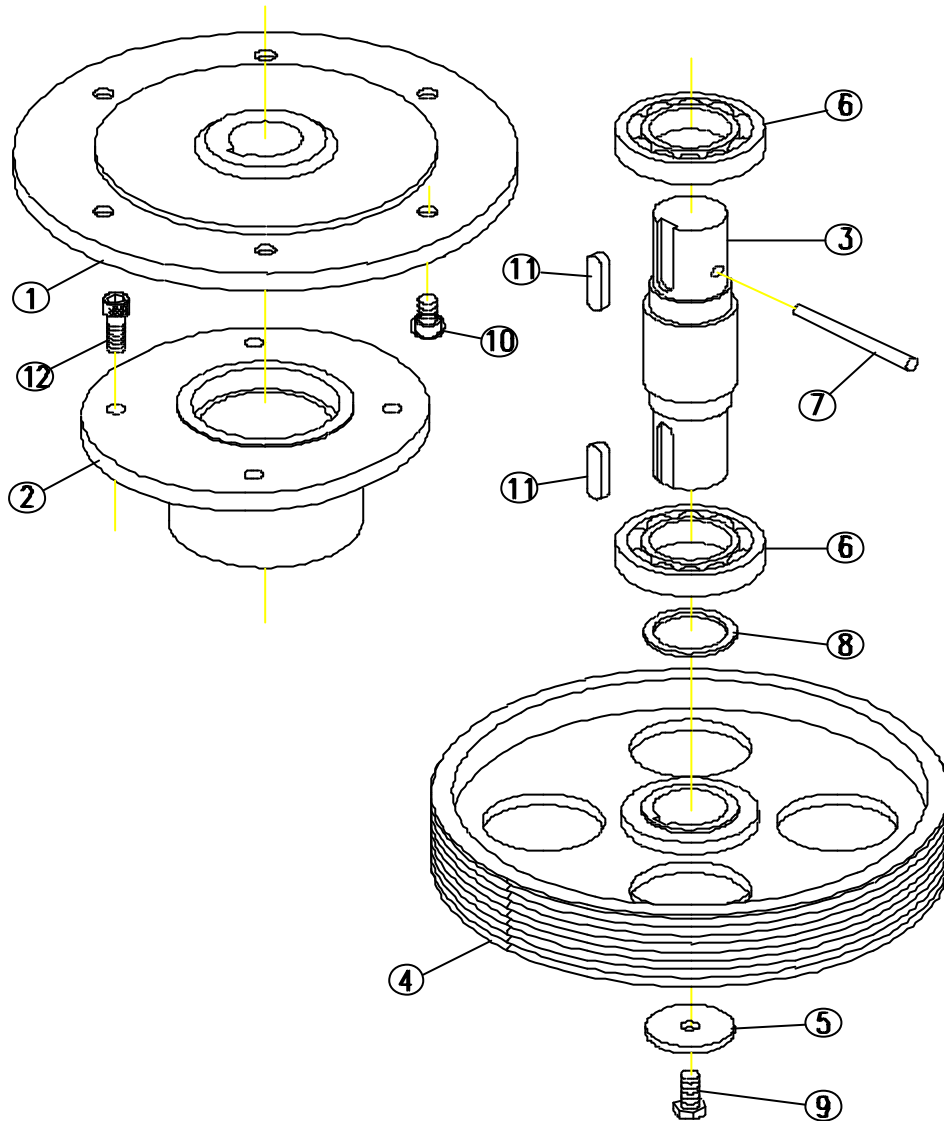
	Description or Name	HL Part No.	Qty	Unit Price US\$	Remark
1	Agitator Pulley	17045-02-001	1	100	
2	Agitator Shaft	17045-02-002	1	77	
3	Bearing Cover	17045-02-003	1	11	
4	Ball Bearing 6210Z	BR-6210Z	1	16	
5	Ball Bearing 5212Z	BR-5212Z	1	80	
6	Lock Nut M60	MN60*P2.0	1	6	
7	Lock Washer 60	M60	1	3	
8	Key 14*9*65	KRR-14*9*65	1	1.7	
9	Oil Seal TC75*100*13	OS-TC75*100*13	1	4.3	
10	Cap Screw 1/4" * 3/8"	S-C-1/4*3/8	4	0.2	

Figure 3. BOWL TRANSMISSION



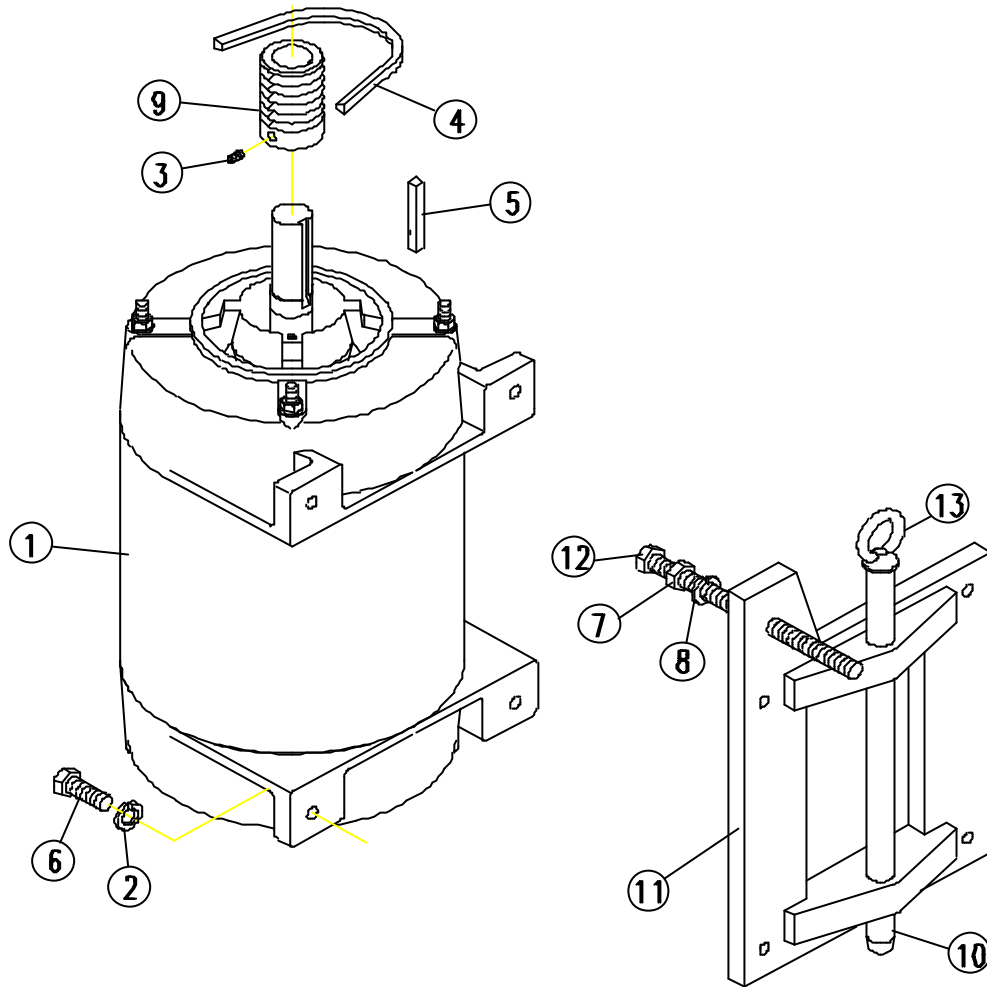
	Description or Name	HL Part No.	Qty	Unit Price US\$	Remark
1	Fixed Plate	17066-03-001	1	3.6	
2	Adjusting Plate	17066-03-002	1	4.5	
3	Bearing Seat	17040-03-003	1	90	
4	Pulley of Bowl Motor	17045-03-004	1	32	
5	Transmission Pulley	17045-03-005	1	73	
6	Adjusting Screw	17066-03-006	1	1.4	
7	Flat Washer	17040-03-007	1	1.4	
8	Ball Bearing 6206Z	BR-6206Z	2	8	
9	V Belt 7M*1250	BELT-7M*1250	8	15	
10	Key 8*8*40	KRR-8*8*40	1	0.7	
11	Nut 1/2" * 12NC	NUT-1/2*12NC	1	0.05	
12	Bolt 3/8" * 1"	S-3/8*1	1	0.1	
13	Bolt 1/2" * 1"	S-1/2*1	2	0.15	
14	Spring Washer 1/2"	SW-1/2	1	0.01	

Figure 4. BOWL SHAFT



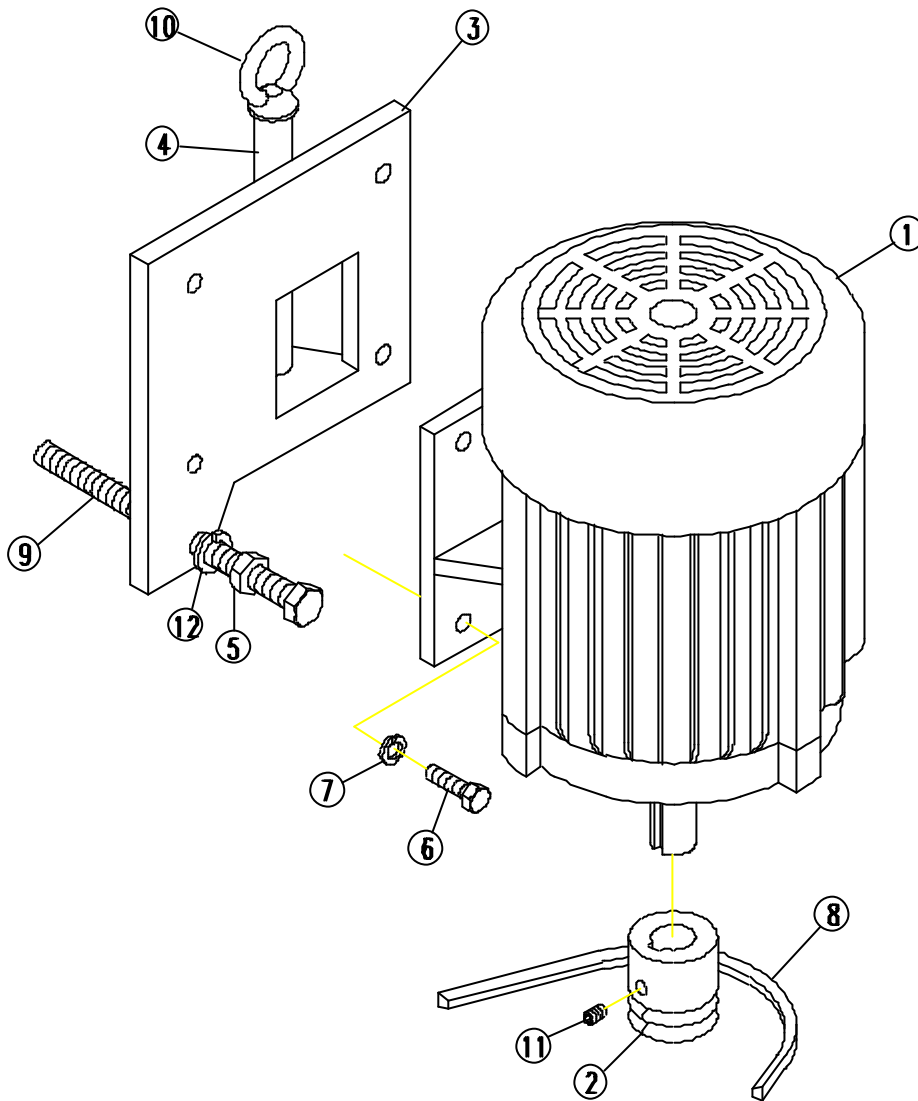
	Description or Name	HL Part No.	Qty	Unit Price US\$	Remark
1	Bowl Support	17066-04-001	1	100	
2	Bearing Seat	17045-04-002	1	60	
3	Bowl Shaft	17045-04-003	1	59	
4	Bowl Pulley	17045-04-004	1	125	
5	Flat Washer	17066-04-005	1	2.3	
6	Ball Bearing 6211Z	BR-6211Z	2	19	
7	Tapered Pin 8*110	TP-8*110	1	1.8	
8	Flat Washer	17045-04-008	1	2.3	
9	Bolt 1/2" * 1"	S-1/2*1	1	0.15	
10	Cap Screw 1/2" * 1"	S-C-1/2*1	6	0.4	
11	Key 14*9*65	KRR-14*9*65	2	1.6	
12	Cap Screw 1/2" * 1-1/2"	S-C-1/2*1-1/2	4	0.6	

Figure 5. AGITATOR MOTOR



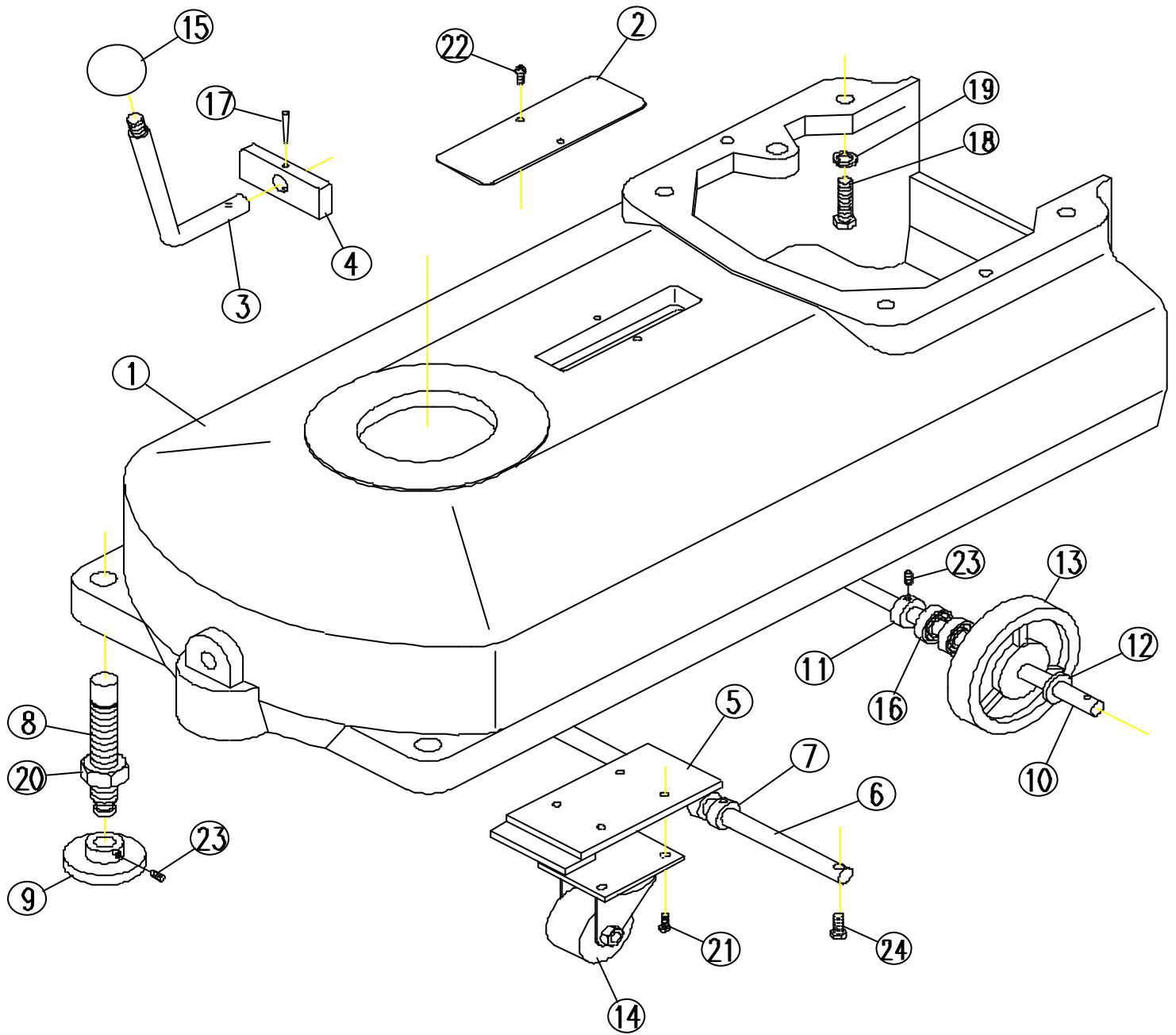
	Description or Name	HL Part No.	Qty	Unit Price US\$	Remark
1	Motor	17045-05-001	1	850	
2	Spring Washer 5/16"	SW-5/16	1	0.02	
3	Set Screw 1/4" * 1/2"	S-S1/4*1/2	1	0.13	
4	V Belt 7M*1320	BELT-7M*1320	6	18	
5	Key 7*7*25	KR-7*7*25	1	0.7	
6	Bolt 5/16" * 1/2"	S-5/16*1	4	0.15	
7	Nut 1/2"*12NC	NUT-1/2*12NC	1	0.05	
8	Spring Washer 1/2"	SW-1/2	1	0.01	
9	Motor Pulley	17045-05-009	1	15	
10	Shaft of Motor Seat	17066-05-010	1	4.5	
11	Motor Seat	17040-05-011	1	50	
12	Adjusting Screw	17066-05-012	1	2.7	
13	Screw Ring	17066-05-013	1	2	

Figure 6. BOWL MOTOR



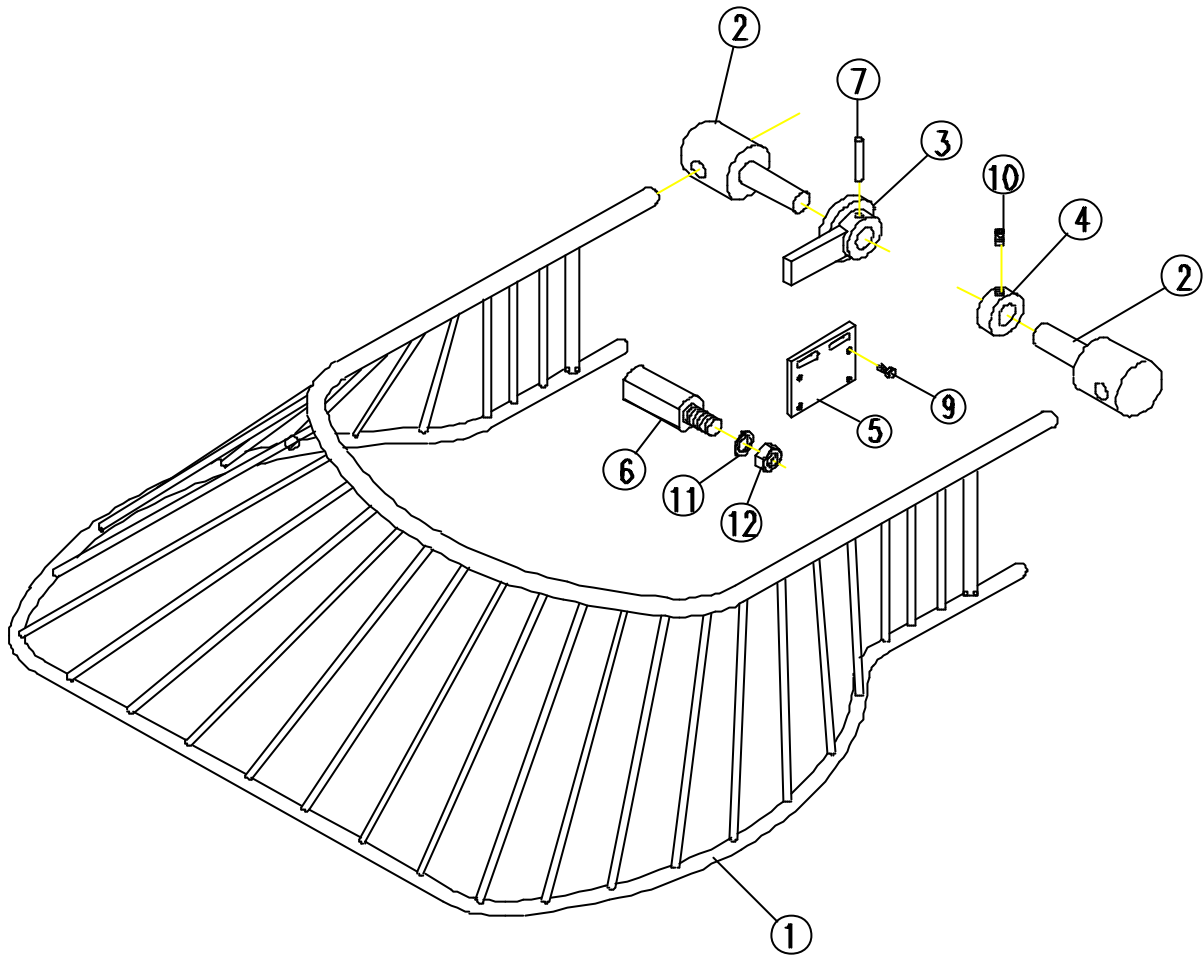
	Description or Name	HL Part No.	Qty	Unit Price US\$	Remark
1	Motor	17045-06-001	1	290	
2	Motor Pulley	17045-06-002	1	11.6	
3	Motor Seat	17040-06-003	1	45	
4	Shaft of Motor Seat	17066-06-004	1	8	
5	Nut 1/2"*12NC	NUT-1/2*12NC	1	0.05	
6	Bolt 5/16" * 1"	S-5/16*1	4	0.15	
7	Spring Washer 5/16"	SW-5/16	4	0.02	
8	V Belt 7M*1320	BELT-7M*1320	2	18	
9	Adjusting Screw	17066-05-012	1	2.7	
10	Screw Ring	17066-05-013	1	2	
11	Set Screw 5/16" * 3/4"	S-S5/16*3/4	1	0.2	
12	Spring Washer 1/2"	SW-1/2	1	0.01	

Figure 7. BASE UNIT



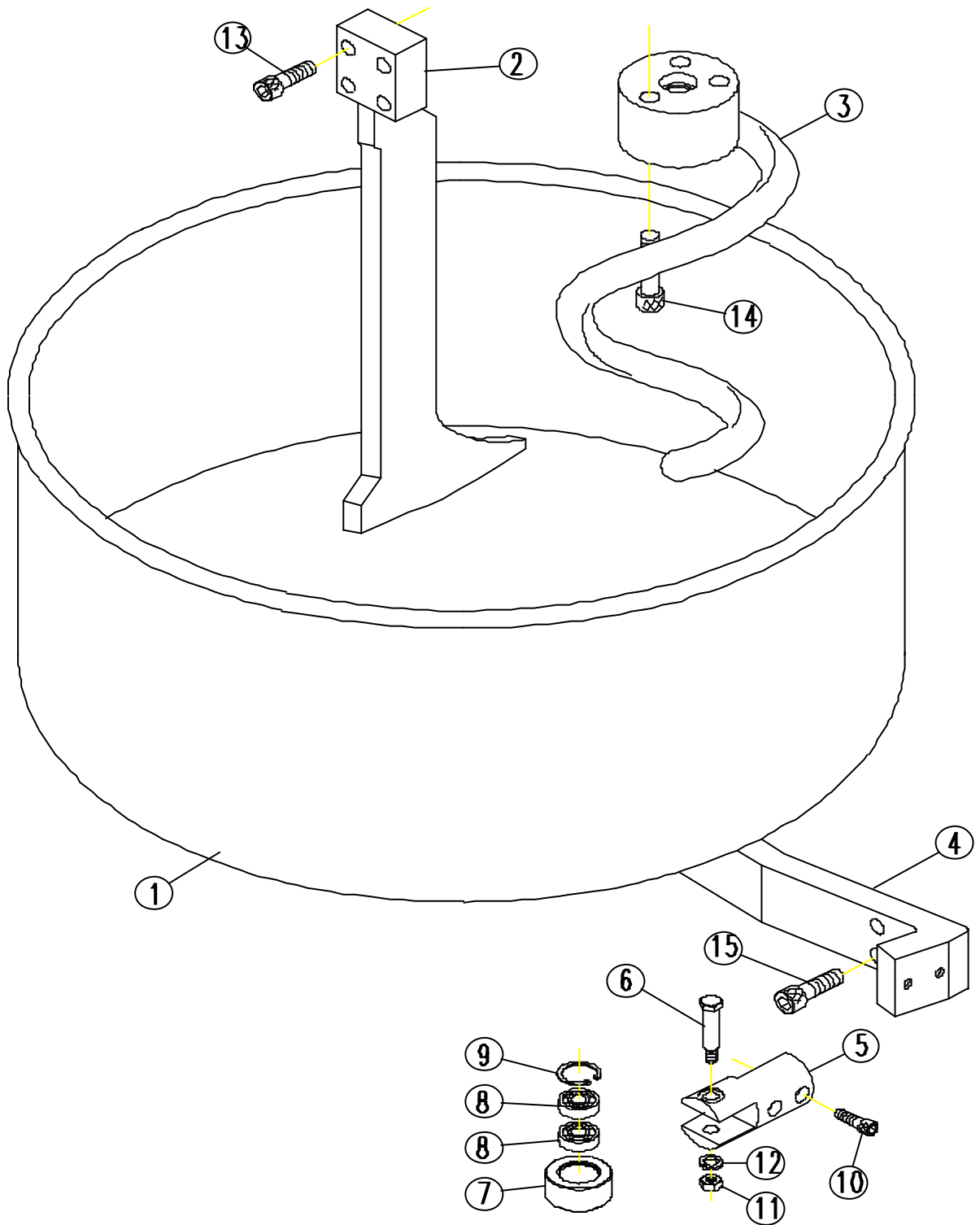
	Description or Name	HL Part No.	Qty	Unit Price US\$	Remark
1	Base	17045-07-001	1	550	
2	Plate	17066-07-002	1	3.8	
3	Change Lever	17066-07-003	1	13.4	
4	Adjusting Block	17066-07-004	1	9	
5	Fixed Plate for wheel	17066-07-005	1	27	
6	Axle	17040-07-006	1	11	
7	Fixed Ring	17066-07-007	2	11	
8	Adjusting Screw	17066-07-008	2	12	
9	Foot Plate	17066-07-009	1	13	
10	Axle	17040-07-010	1	5.4	
11	Fixed Ring	17066-07-011	2	6.5	
12	Wheel Ring	17066-07-012	2	4.3	
13	Back Wheel	17066-07-013	2	54	
14	Front Wheel	17066-07-014	2	27	
15	Knob	17066-07-015	1	2.7	
16	Ball Bearing 6204Z	BR-6204Z	4	3.6	
17	Tapered Pin 4*40	TP-4*40	1	0.1	
18	Bolt 5/8" * 1-1/2"	S-5/8*1-1/2	4	0.27	
19	Spring Washer 5/8"	SW-5/8	4	0.02	
20	Nut 1"*12NF	NUT-1*12NF	2	0.35	
21	Bolt 5/16"*3/4"	S-5/16*3/4	4	0.15	
22	Mach Screw 1/4" * 3/8"	S+R1/4*3/8	2	0.02	
23	Set Screw 5/16" * 3/8"	S-S5/16*3/8	4	0.2	
24	Bolt 5/16" * 1-1/4"	S-5/16*1-1/4	4	0.2	



**Figure 8. SAFETY GUARD**

	Description or Name	HL Part No.	Qty	Unit Price US\$	Remark
1	Safety Guard	17045-08-001	1	350	
2	Roller of Safety Guard	17066-08-002	2	25	
3	Hub & Plug	17066-08-003	1	11	
4	Hub	17066-08-004	1	3.2	
5	Seat of Limit Switch	17066-08-005	1	6	
6	Support of Safety Guard	17066-08-006	2	20	
7	Spring Pin 4*40	SPP-4*40	1	0.1	
9	Bolt 3/16"*1/2"	S-3/16*1/2	2	0.03	
10	Set Screw 5/16"*3/8"	S-S5/16*3/8	2	0.1	
11	Spring Washer 5/8"	SW-5/8	2	0.01	
12	Nut 5/8"*11NC	NUT-5/8*11NC	2	0.1	

Figure 9. BOWL UNIT



	Description or Name	HL Part No.	Qty	Unit Price US\$	Remark
1	Bowl	17045-09-001	1	800	
2	Guide Bar	17045-09-002	1	190	
3	Agitator	17045-09-003	1	300	
4	Bowl Support	17045-09-004	1	30	
5	Wheel Seat	17066-09-005	2	30	
6	Screw	17066-09-006	2	6	
7	Support Wheel	17066-09-007	2	8	
8	Ball Bearing #6201	BR-6201	4	2.5	
9	C Snap Ring R32	CR-R32	2	0.23	
10	Cap Screw 3/8 *1-1/4"	S-C-3/8*1-1/4	4	0.27	
11	Nut W3/4"*16NC	NUT-3/4*16NC	2	0.04	
12	Spring Washer Ø3/8"	SW-3/8	2	0.01	
13	Cap Screw 3/8* 1-1/2"	S-C-3/8*1-1/2	4	0.3	
14	Cap Screw 5/8 * 2-1/2"	S-C-5/8*2-1/2	3	1	
15	Cap Screw 3/8*1-1/4"	S-C-3/8*1-1/4	4	0.27	