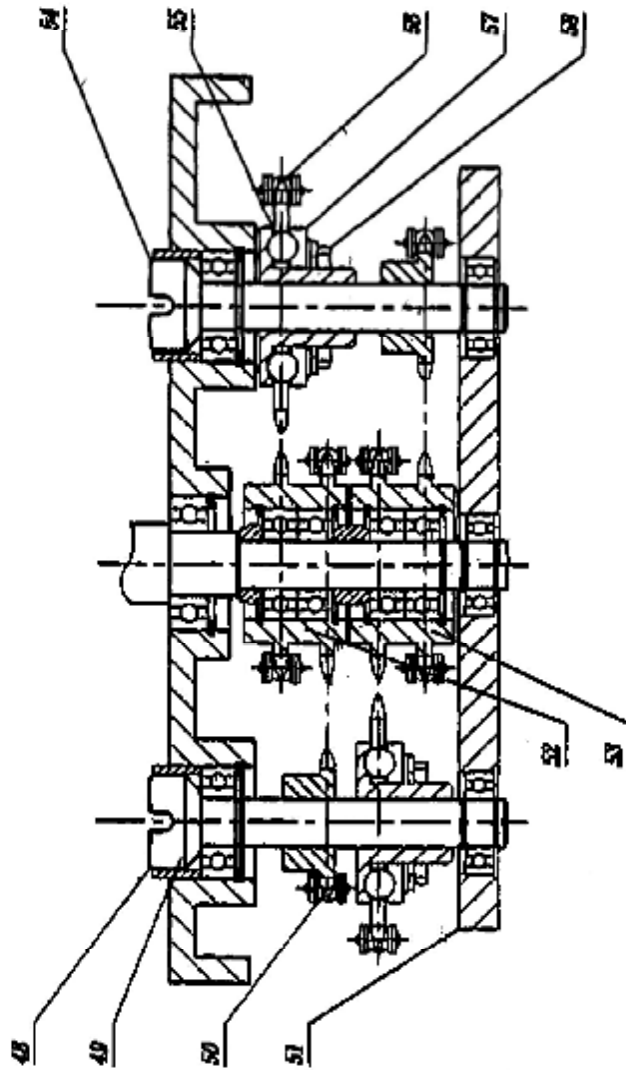
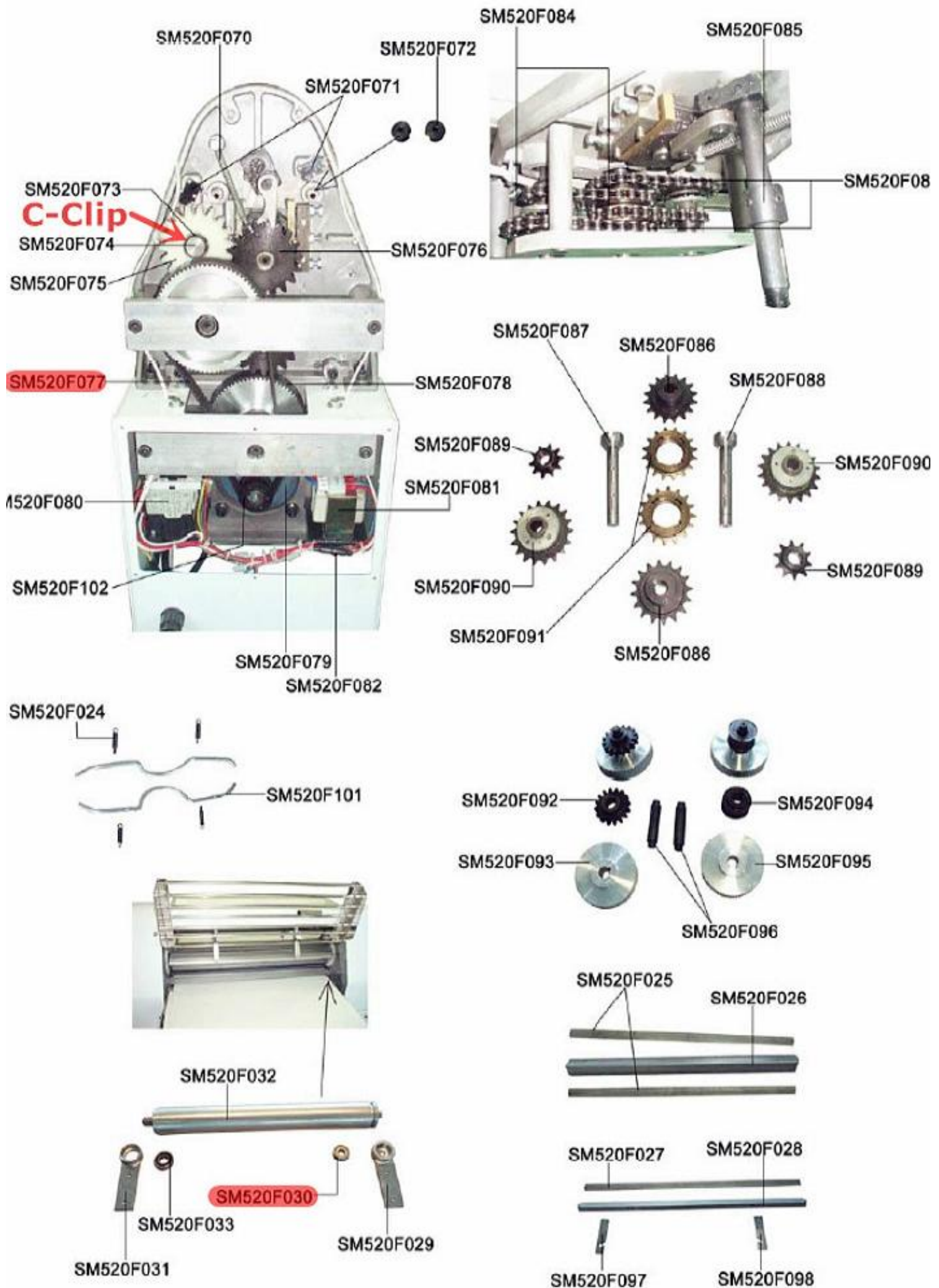


SECTIONAL VIEW OF SM-520F MACHINE HEAD



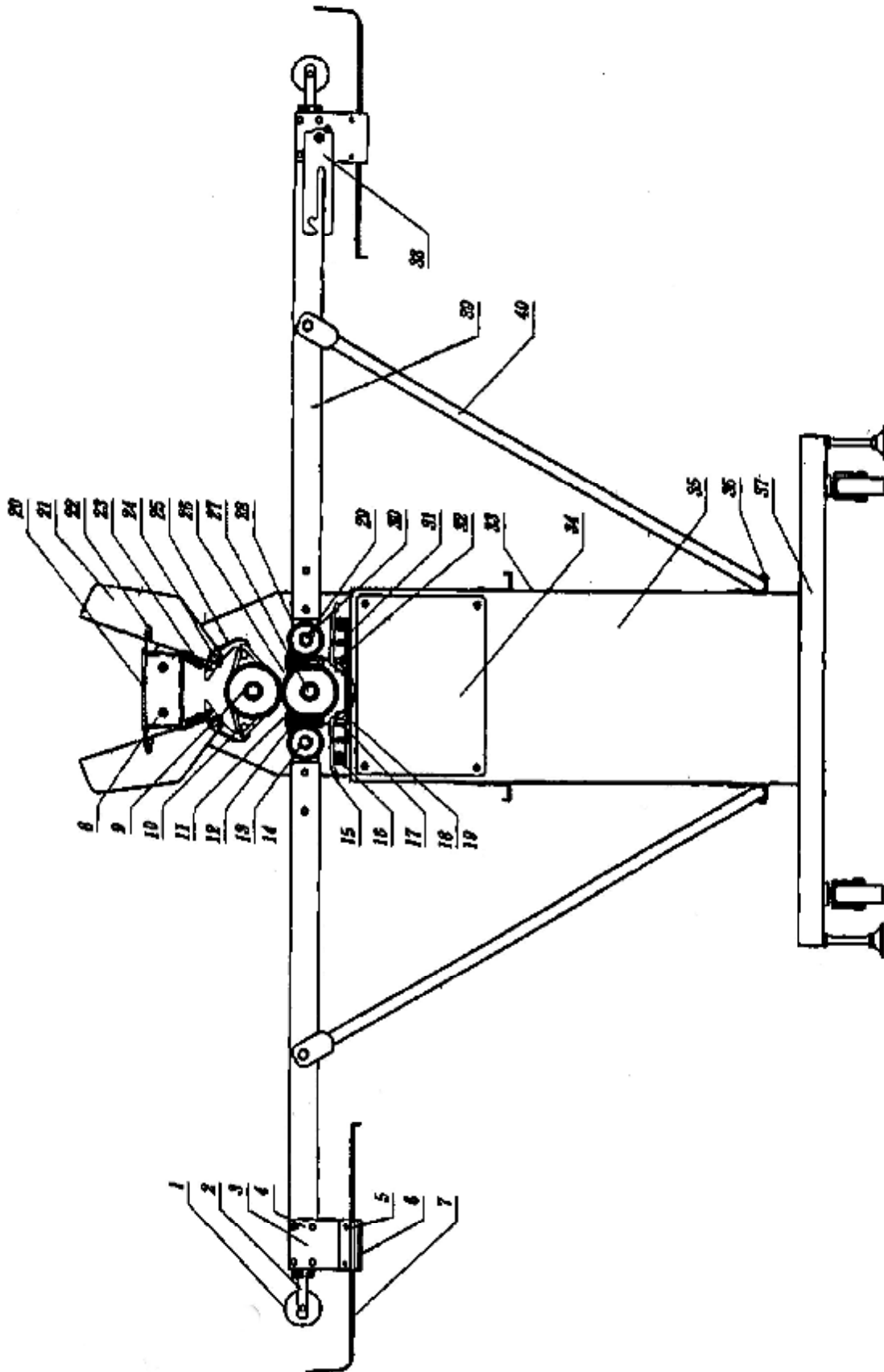
SM-520F MACHINE HEAD PARTS LIST

<u>PART NO.</u>	<u>DESCRIPTION</u>
48	CLUTCH BOLT
49	SLEEVE
50	SPROCKET WHEEL 10T
51	CLUTCH BOLT SUPPORT
52	CLUTCH WHEEL
53	CLUTCH WHEEL
54	CLUTCH BOLT
55	SHAFT
56	SPROCKET WHEEL 18T
57	COVER
58	NUT

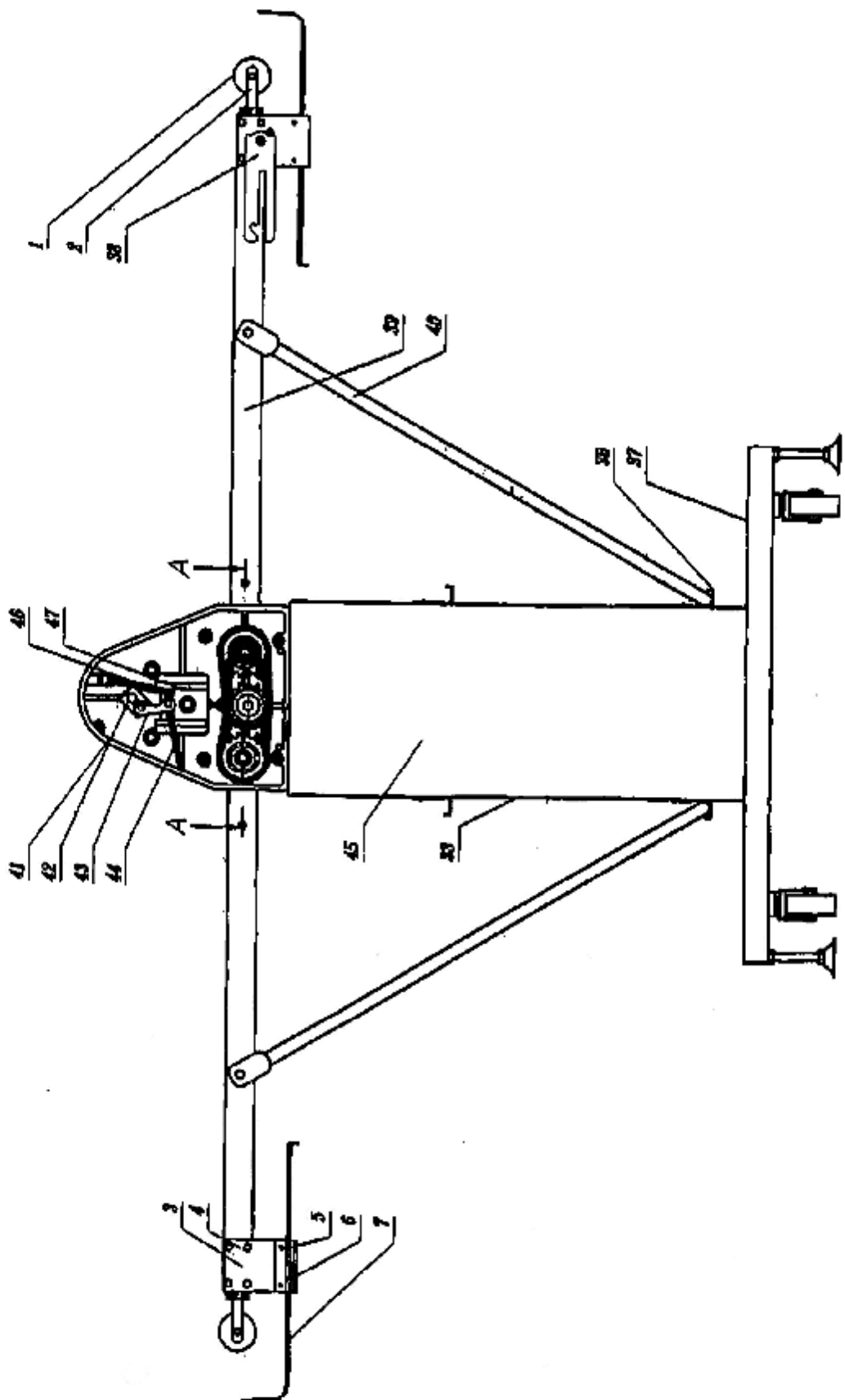


CE-594

SECTIONAL VIEW OF SM-520F (1)



SECTIONAL VIEW OF SM-520F (2)



SM-520F PARTS LIST

<u>PART NO.</u>	<u>DESCRIPTION</u>
1	IDLING ROLLER
2	TENSIONING SCREW
3	BRACKET
4	FIXING ROD
5	DOUGH CATCHING TRAY SUPPORT
6	DOUGH CATCHING TRAY SUPPORT
7	DOUGH CATCHING TRAY
8	FLOUR BOX HOLDER
9	TOP PRESSURE ROLLER
10	TOP SCRAPER
11	BOTTOM SCRAPER BRACKET
12	BOTTOM SCRAPER
13	TABLE SUPPORT
14	TABLE SUPPORT
15	SPRING SUPPORTED JOKE
16	SPACER ROD
17	HOLDING LEVER FOR BOTTOM SCRAPER
18	RETAINING STRIP (R)
19	RETAINING STRIP (L)
20	FLOUR BOX
21	PROTECTIVE GRILL
22	HOOK FOR PROTECTIVE GRILL
23	TOP SCRAPER SPRING
24	SHANK SCREW
25	HOLDING LEVER
26	BOTTOM SCRAPER
27	BOTTOM PRESSURE ROLLER
28	DRIVING ROLLER
29	TABLE LOCKING LEVER
30	HEXAGONAL SCREW
31	BOTTOM SCRAPER SPRING
32	HOLDING BRACKET FOR BOTTOM SCRAPER
33	COVER
34	COVER
35	BODY
36	FIXING BRACKET
37	BASE PLATE
38	HAND ROLLER MOUNTING BRACKET
39	CONVEYOR TABLE
40	TABLE SUPPORT
41	HOUSING (R)
42	FIXING BRACKET
43	UP & DOWN LEVER
44	SPRING FOR SLIDING PIECE
45	BODY
46	CAM SPRING
47	SLIDING PIECE