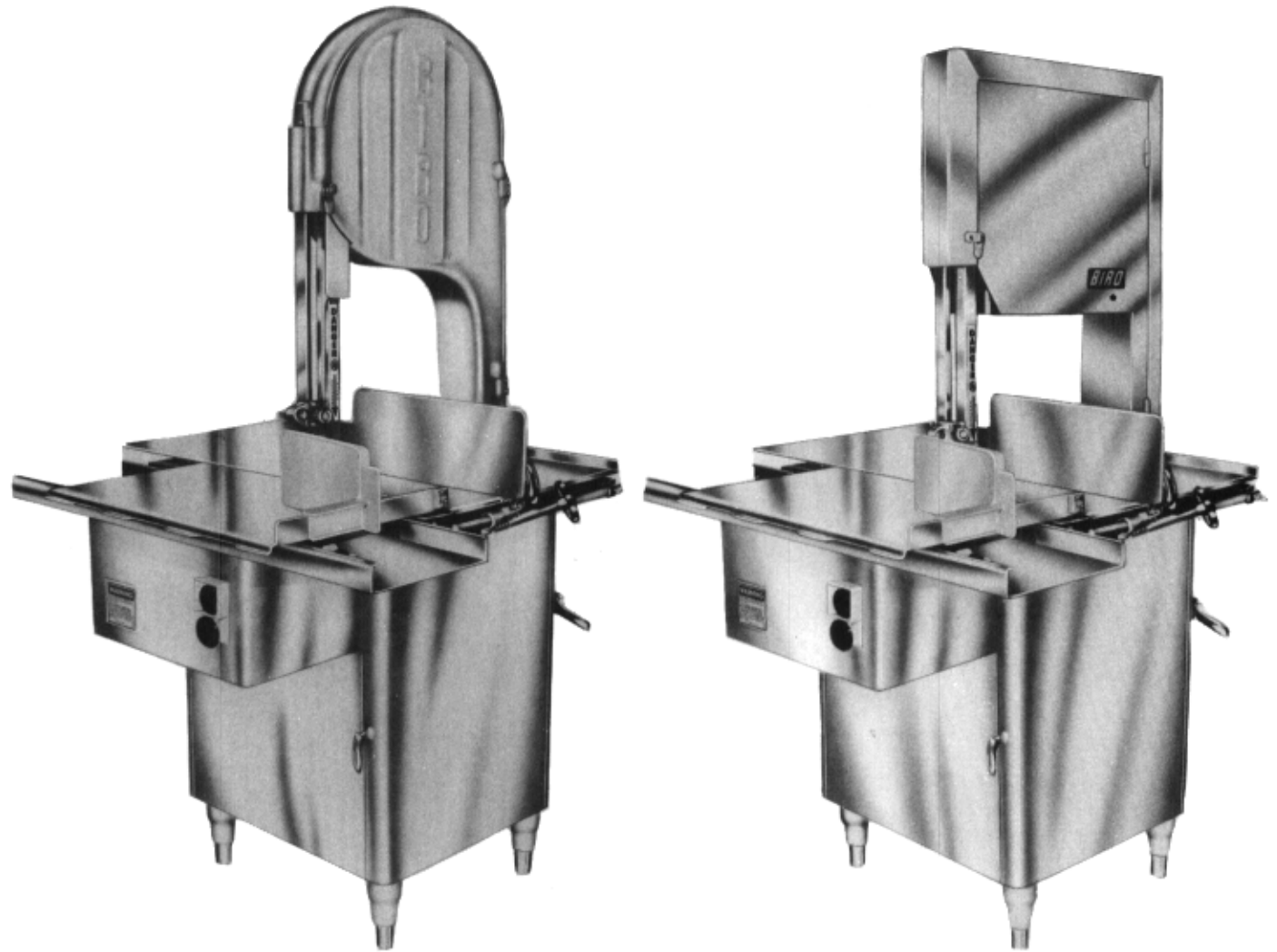


BIRO®

MODEL 3334 POWER MEAT CUTTER OPERATING AND SERVICE MANUAL REVISED — SERIAL No. 1,000 ON

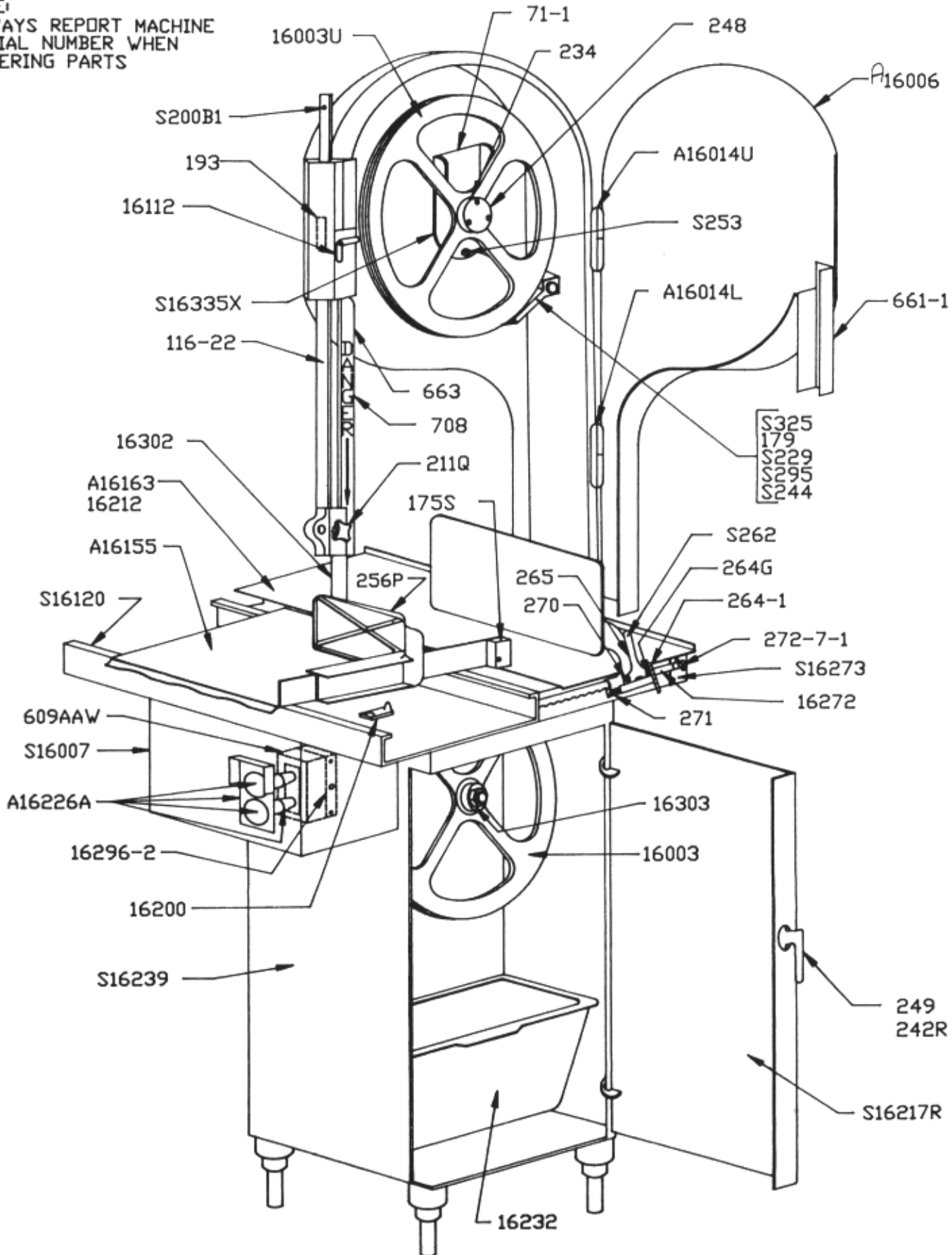


IMPORTANT NOTICE

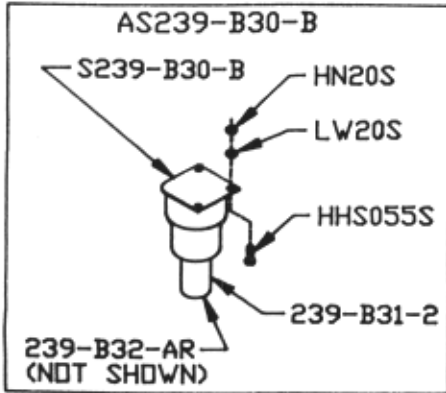
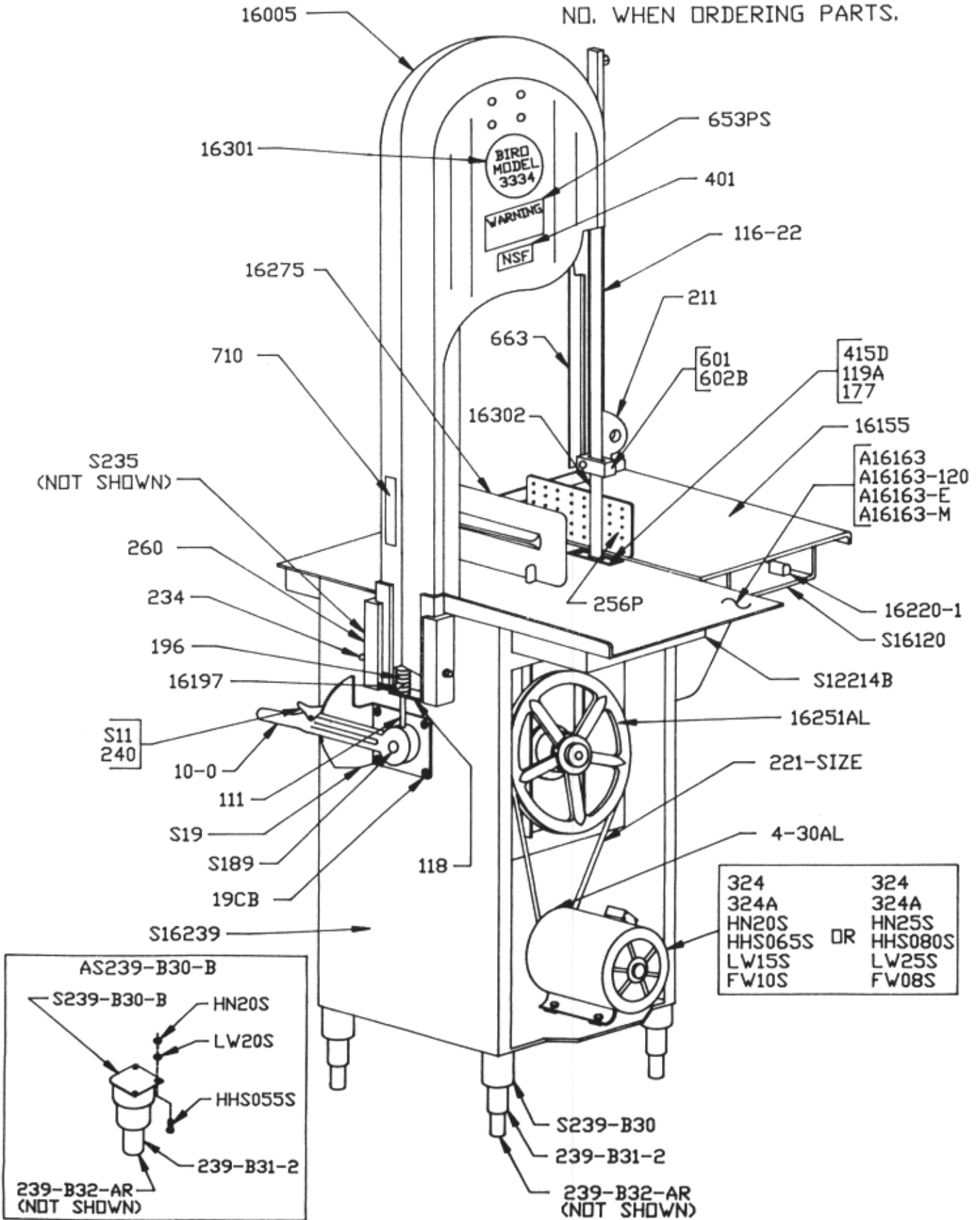


This Manual contains important safety instructions which must be strictly followed when using this equipment.

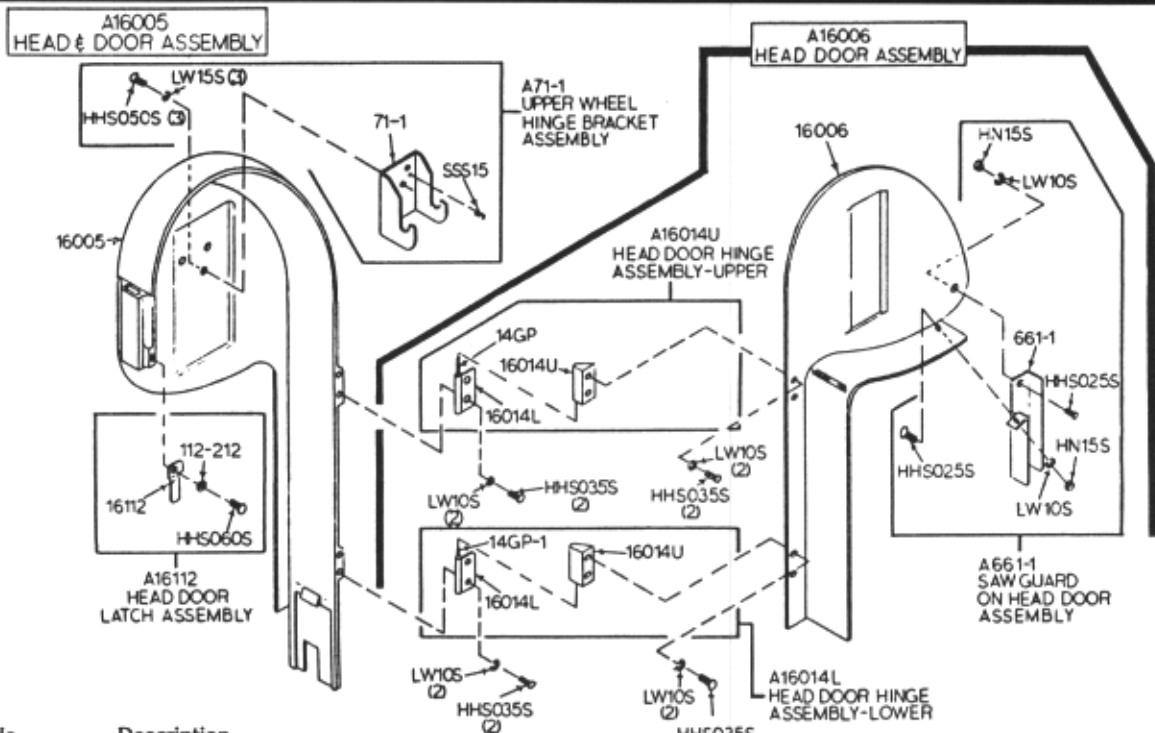
NOTE:
ALWAYS REPORT MACHINE
SERIAL NUMBER WHEN
ORDERING PARTS



NOTE:
ALWAYS REPORT MACHINE SERIAL
NO. WHEN ORDERING PARTS.



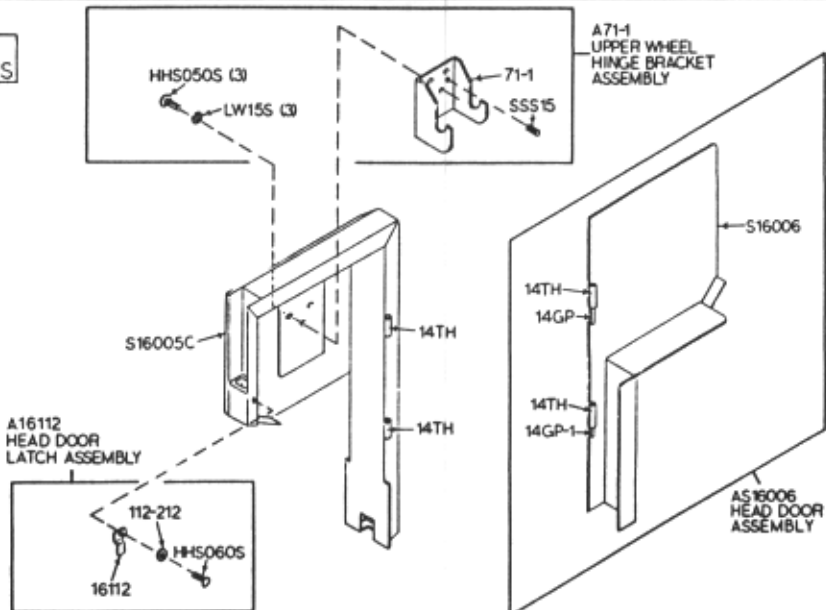
324	324
324A	324A
HN20S	HN25S
HHS065S	OR HHS080S
LW15S	LW25S
FW10S	FW08S



Item No.	Description
A16005	Head & door assembly
A16006	Head door assembly
A16014L	Head door hinge assembly, lower
A16014U	Head door hinge assembly, upper
A16112	Head door latch assembly
A661-1	Saw guard on head door assembly
A71-1	Upper wheel hinge bracket assembly
HHS025S	Hex head screw, 1/4-20 x 1/2 SS
HHS035S	Hex head screw, 1/4-20 x 5/8 SS
HHS050S	Hex head screw, 5/16-18 x 5/8 SS
HHS060S	Hex head screw, 5/16-18 x 1 SS
HN15S	Hex nut, 1/4-20 SS
LW10S	Lock washer, 1/4 SS

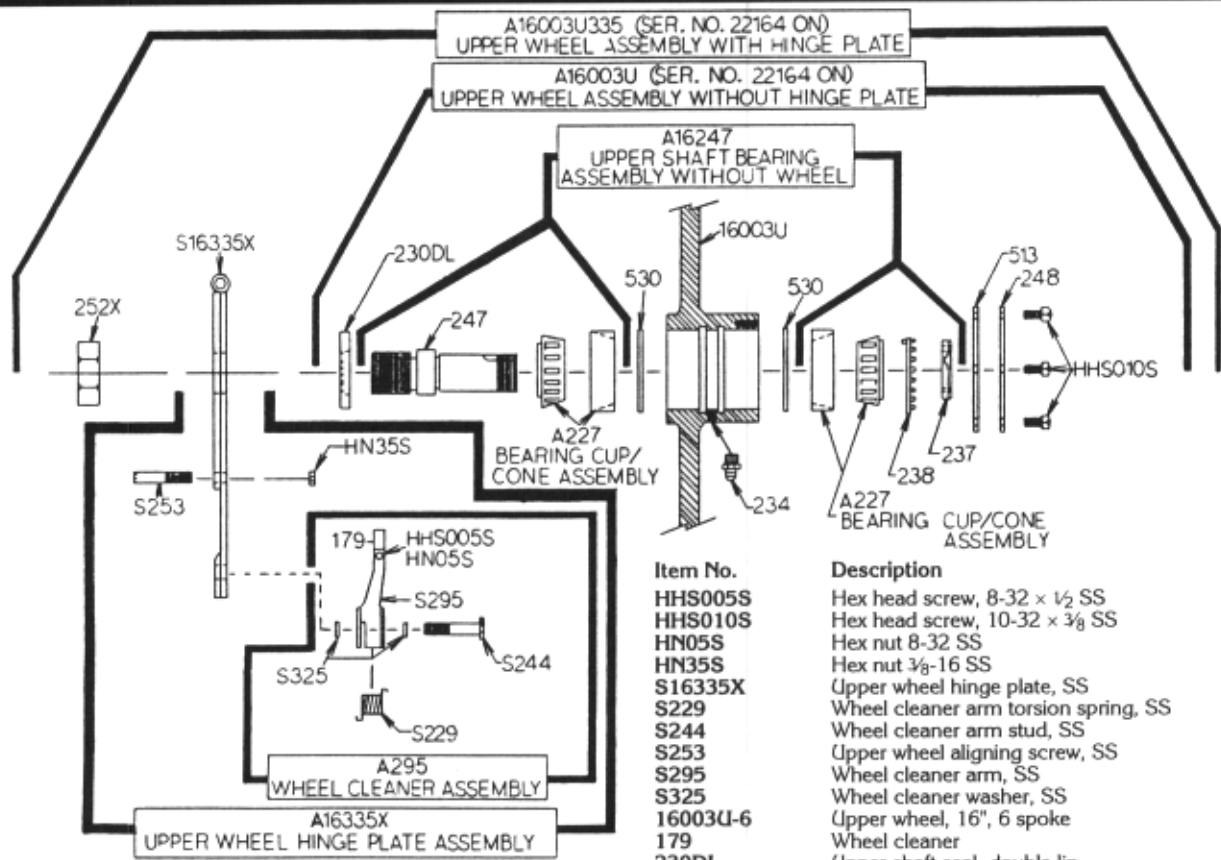
Item No.	Description
LW15S	Lock washer, 5/16 SS
SSS15	Set screw 5/16-18 x 5/16 cup point
112-212	Waved washer
14GP	Head door hinge pin, 1 1/2"
14GP-1	Head door hinge pin, 1 1/4"
16005	Head, aluminum
16006	Head door, aluminum
16014L	Head door hinge, lower half *NSS
16014U	Head door hinge, upper half *NSS
16112	Head door latch
661-1	Saw guard to head door
71-1	Upper wheel hinge bracket

AS16005 HEAD & DOOR ASSEMBLY, SS



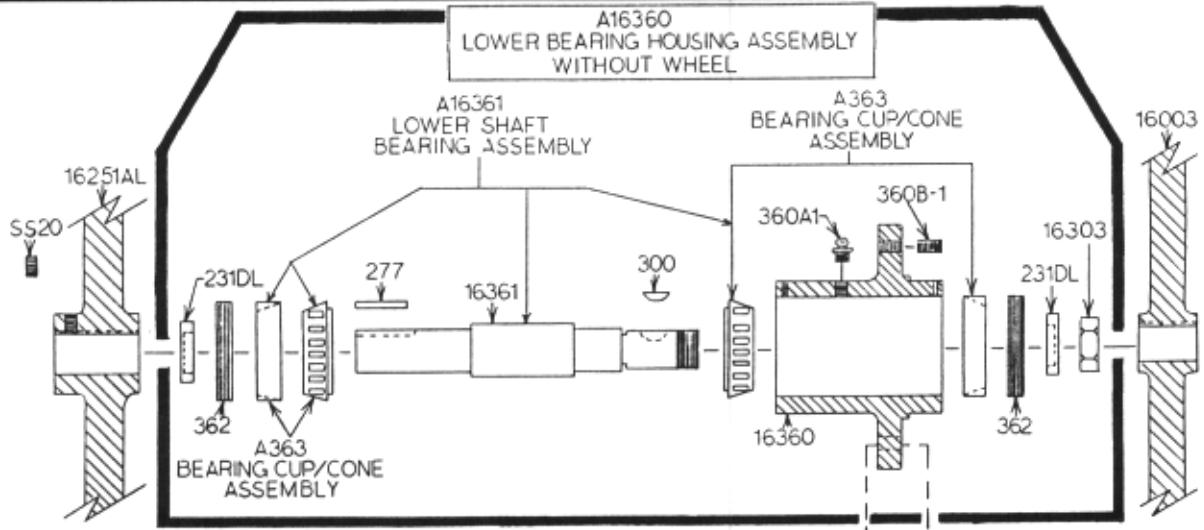
Item No.	Description
A16112	Head door latch assembly
AS16005	Head & door assembly SS
AS16006	Head door assembly SS
A71-1	Upper wheel hinge bracket assembly
HHS050S	Hex head screw, 5/16-18 x 5/8 SS
HHS060S	Hex head screw, 5/16-18 x 1 SS
LW15S	Lock washer, 5/16 SS
SSS15	Set screw 5/16-18 x 5/16 cup point

Item No.	Description
S16005C	Head SS
S16006	Head door SS
14TH	Head door hinge, welded
14GP	Head door hinge pin, 1 1/2"
14GP-1	Head door hinge pin, 1 1/4"
112-212	Waved washer
16112	Head door latch
71-1	Upper wheel hinge bracket



Item No.	Description
A16003U-6	Upper wheel assembly without hinge plate
A16003U335-6	Upper wheel assembly with hinge plate
A16247	Upper shaft bearing assembly
A16335X	Upper wheel hinge plate assembly
A227	Bearing cup/cone assembly
A295	Wheel cleaner assembly

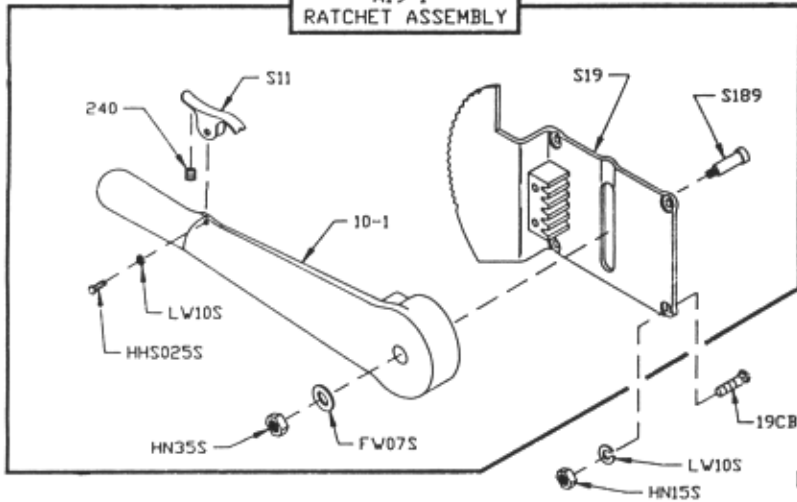
Item No.	Description
HHS005S	Hex head screw, 8-32 x 1/2 SS
HHS010S	Hex head screw, 10-32 x 3/8 SS
HN05S	Hex nut 8-32 SS
HN35S	Hex nut 3/8-16 SS
S16335X	Upper wheel hinge plate, SS
S229	Wheel cleaner arm torsion spring, SS
S244	Wheel cleaner arm stud, SS
S253	Upper wheel aligning screw, SS
S295	Wheel cleaner arm, SS
S325	Wheel cleaner washer, SS
16003U-6	Upper wheel, 16", 6 spoke
179	Wheel cleaner
230DL	Upper shaft seal, double lip
234	Grease fitting, upper wheel
237	Upper shaft castellated lock nut washer
238	Upper shaft castellated lock nut washer
247	Upper shaft
248	Upper wheel hub cap
252X	Shaft lock nut
513	Upper wheel hub gasket
530	Retaining ring (2 req.)



Item No.	Description
A16360	Lower bearing housing assembly without wheel
A16361	Lower shaft bearing assembly
A363	Bearing cup/cone assembly
HN25S	Hex nut, 3/8-16 SS
LW25S	Lock washer, 3/8 SS
SSS20	Set screw, 3/8-16 x 3/8 cup point
S360CB-1	Carriage bolt, 3/8-16 1 1/4 SS
16003-6	Lower wheel 16", 6 spoke
16251AL	Upper v-belt pulley, 11.4 x 1 AL
16303	Lower shaft nut

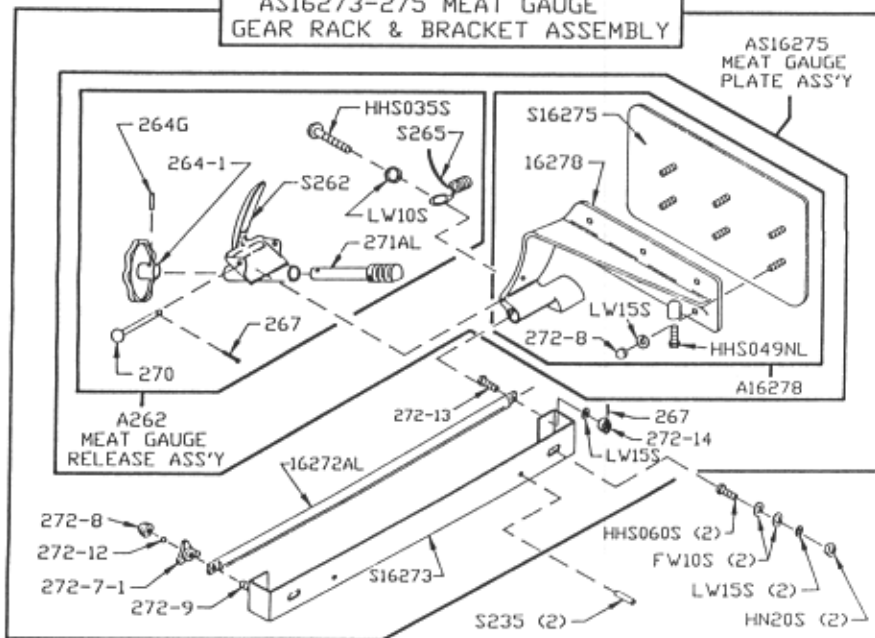
Item No.	Description
16360	Lower bearing housing
16361	Lower shaft
231DL	Lower shaft seal, double lip
277	Lower shaft key
300	Lower shaft Woodruff key
360A1	Grease fitting
360B-1	Set screw, 1/2-13 x 1/2 flat point
362	Lower bearing housing adj. cap

**A19-1
RATCHET ASSEMBLY**



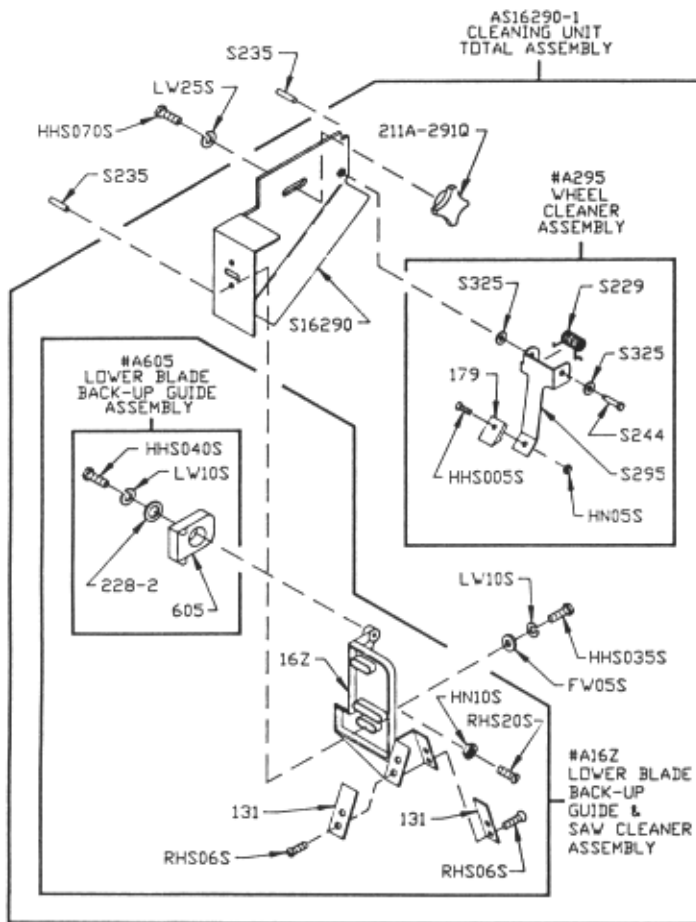
Item No.	Description
A19-1	Ratchet assembly
FW07S	Flat washer, 3/8 SS
HHS025S	Hex head screw, 1/4-20 x 1/2 SS
HN15S	Hex nut, 1/4-20 SS
HN35S	Hex nut, 3/8-16 SS
LW10S	Lock washer, SS
S11	Ratchet trigger SS
S189	Ratchet arm stud SS
S19	Ratchet base SS
10-1	Ratchet arm
19CB	Carriage bolt 1/4-20 x 3/4 SS
240	Ratchet trigger spring

**AS16273-275 MEAT GAUGE
GEAR RACK & BRACKET ASSEMBLY**



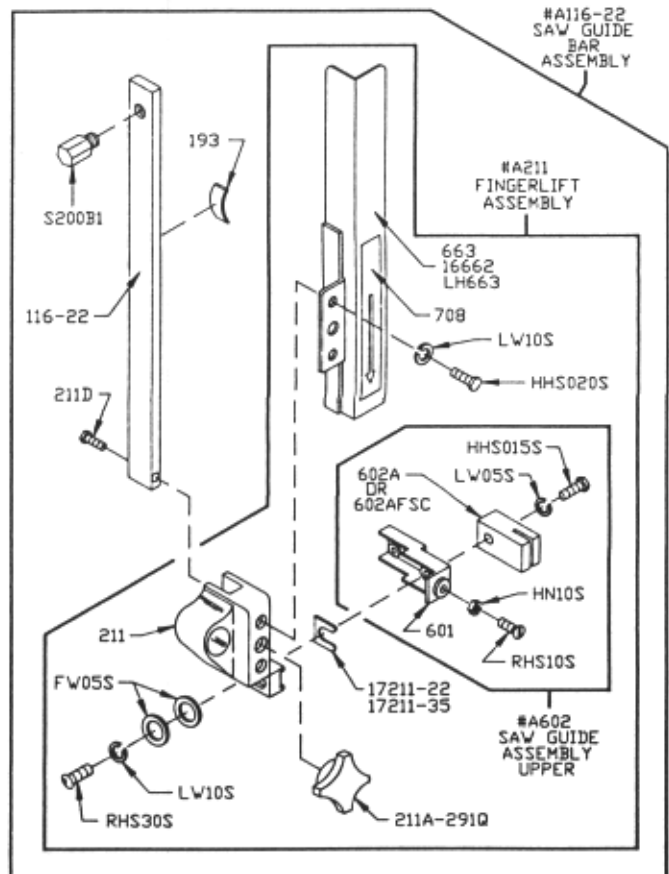
Item No.	Description
A16278	Meat gauge plate assembly less release assembly
A262	Meat gauge release assembly
AS16273-275	Meat gauge assembly
AS16275	Meat gauge plate assembly with release assembly
FW10S	Flat washer, 5/16, SS
HHS049NL	Hex head screw, 5/16-18 x 1/2, nylon
HHS060S	Hex head screw, 5/16-18 x 1, SS
HN20S	Hex nut, 5/16-18, SS
LW10S	Lock washer, 1/4, SS
LW15S	Lock washer, 5/16, SS
RHS25S	Round head screw, 1/4-20 x 3/4 SS
S16273	Meat gauge bracket, SS
S16275	Meat gauge plate, SS

Item No.	Description
S235	Taper pin, 4 x 3/4, SS
S262	Meat gauge release handle, SS
16272AL	Meat gauge gear rack, aluminum
16278	Meat gauge arm
264G	Meat gauge hand wheel groove pin
264-1	Meat gauge hand wheel
265	Meat gauge release spring
267	Meat gauge release cotter key
270	Meat gauge release pin
271	Meat gauge worm gear, aluminum
272-7-1	Lock knob, 5/16-18, 3 point
272-8	Cap nut, 5/16-18 SS
272-9	Hex bolt, 5/16-18 x 2 SS
272-13	Hex head screw, 5/16-18 x 1 1/4, SS
272-14	Castellated nut, 5/16-18, SS

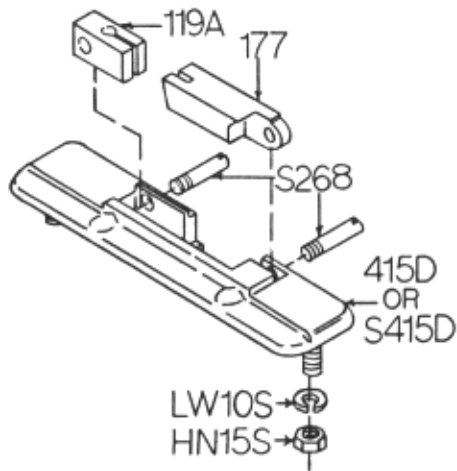


Item No.	Description
A16Z	Guide bracket saw cleaner assembly
A295	Wheel cleaner assembly
A605	Lower blade back-up guide assembly
AS16290	Cleaning unit stamping assembly
AS16290-1	Cleaning unit total assembly
FW05S	Flat washer, 1/4 SS
HHS003S	Trimmed hex head screw 8-32 x 1/4, SS
HHS005S	Hex head screw, 8-32 x 1/2 SS
HHS035S	Hex head screw, 1/4-20 x 5/8 SS
HHS040S	Hex head screw, 1/4-20 x 3/4 SS
HHS070S	Hex head screw, 3/8-16 x 1 SS
HN05S	Hex nut, 8-32 SS
HN10S	Hex nut, 10-32 SS
LW10S	Lock washer, 1/4 SS
LW25S	Lock washer, 3/8 SS
RHS20S	Round head screw, 10-32 x 1 1/8 SS
S16290	Cleaning unit stamping, SS
S229	Wheel cleaner arm torsion spring SS
S235	Taper pin 4 x 3/4, SS
S244	Wheel cleaner arm stud SS
S295	Wheel cleaner arm SS
S325	Wheel cleaner washer SS
131	Saw cleaner SS
16Z	Lower guide bracket saw cleaner holder
179	Wheel cleaner
211A-291Q	Fastener knob, 4 point
228-2	Lower guide washer
605	Saw guide lower blade back-up

Item No.	Description
A116-22	Saw guide bar assembly 22"
A211	Finger lift assembly, removable
A602	Saw guide assembly, upper
FW05S	Flat washer, 1/4 SS
HHS015S	Hex head screw, 10-32 x 7/8 SS
HHS020S	Hex head screw, 1/4-20 x 3/8 SS
HN10S	Hex nut, 10-32 SS
LH663	Saw guard for true left head
LW05S	Lock washer, #10 SS
LS10S	Lock washer, 1/4 SS
RHS10S	Round head screw, 10-32 x 3/4 SS
RHS30S	Round head screw, 1/4-20 x 7/8 SS
S200B1	Stop stud on guide bar
116-22	Saw guide bar, 22"
16662	Saw guard for SS head
17211-22	Finger lift, shim .022
17211-35	Finger lift, shim .035
193	Saw guide bar spring
211	Finger lift bracket
211A-291Q	Fastener knob, 4 point
211D	Finger lift fastener bolt
601	Upper saw guide bracket
602B	Upper saw guide with carbide
602AFSC	Upper saw guide, narrow, fish
663	Saw guard for aluminum head
708	Decal "DANGER EXPOSED BLADE"

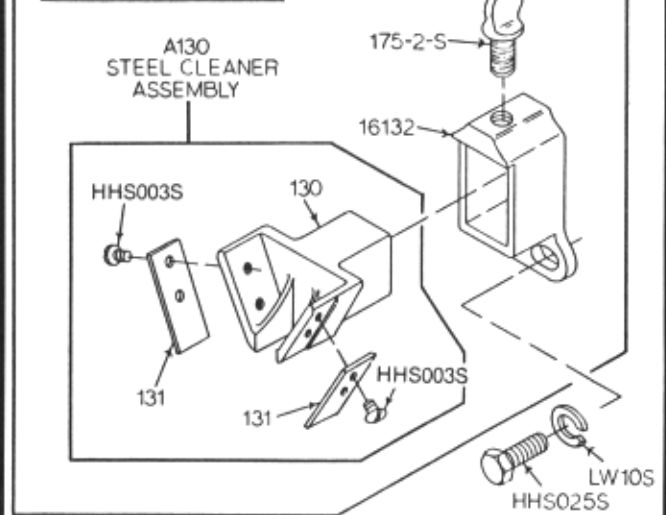


A415D OR AS415D STATIONARY BAR ASSEMBLY



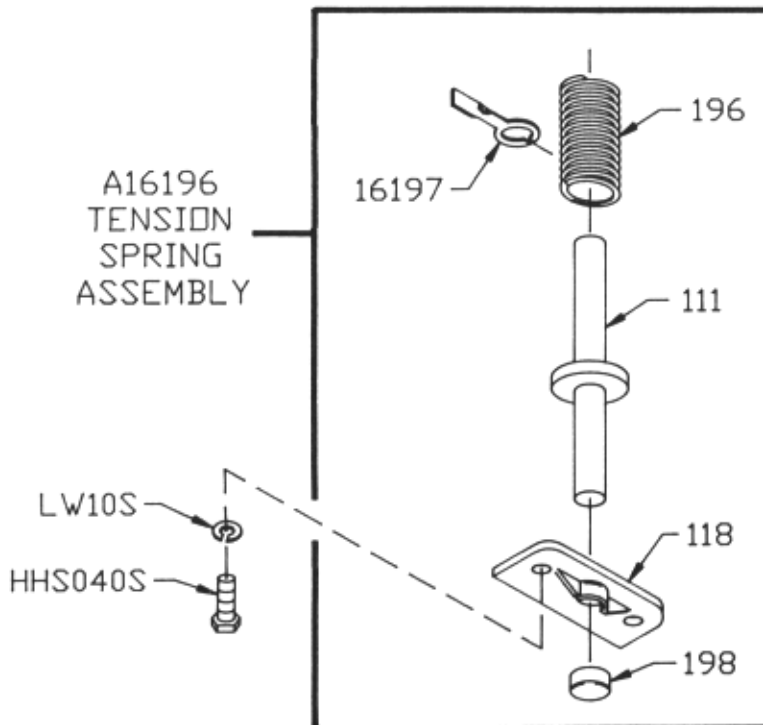
Item No.	Description
A415D	Stationary bar assembly
AS415D	Stationary bar assembly SS
HN15S	Hex nut $\frac{1}{4}$ -20 SS
LW10S	Lock washer, $\frac{1}{4}$ SS
S268	Stationary bar headless screw
S415D	Stationary bar SS
119A	Saw guide in stationary bar
177	Nylon filler
415D	Stationary bar

A16132 REAR STEEL CLEANER ASSEMBLY

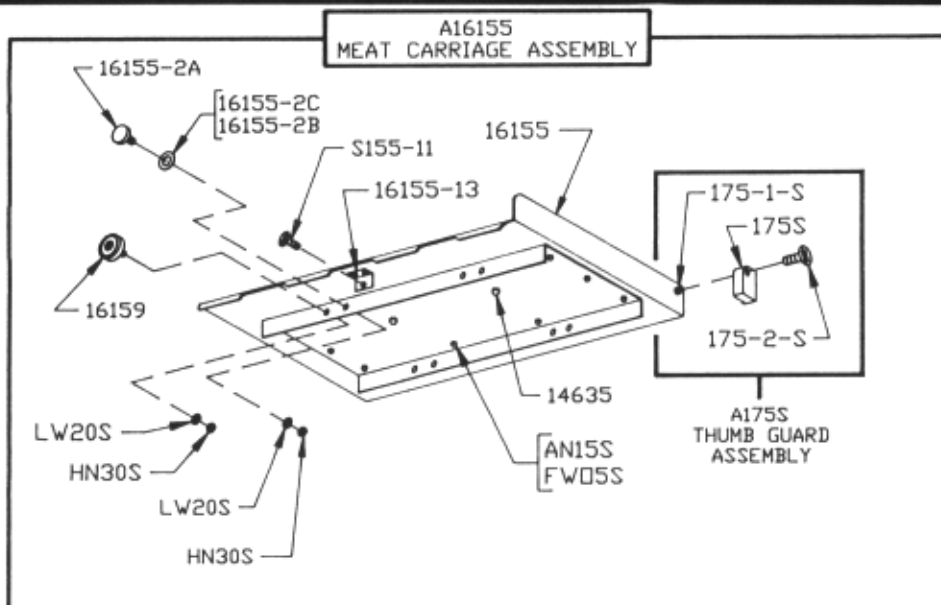


Item No.	Description
A130	Saw cleaner assembly
A16132	Steel cleaner assembly, rear
HHS003S	Trimmed hex head screw 8-32 x $\frac{1}{4}$, SS
HHS025S	Hex head screw, $\frac{1}{4}$ -20 x $\frac{1}{2}$ SS
LW10S	Lock washer, $\frac{1}{4}$ SS
130	Saw cleaner bracket rear
131	Saw cleaner SS
16132	Saw cleaner bracket holder, rear
175-2-S	Thumb screw, $\frac{1}{4}$ -20 x $\frac{1}{2}$

A16196 TENSION SPRING ASSEMBLY

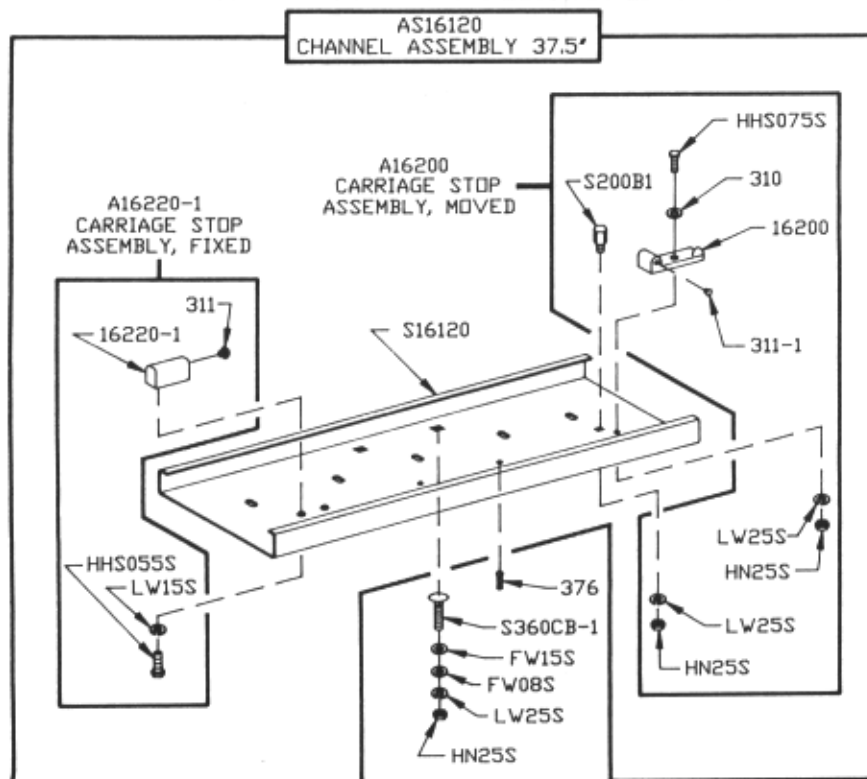


Item No.	Description
A16196	Tension spring assembly
HHS040S	Hex head screw, $\frac{1}{4}$ -20 x $\frac{3}{4}$ SS
LW10S	Lock washer, $\frac{1}{4}$ SS
111	Tension spring pin
118	Tension spring plate
16197	Tension spring gauge
196	Saw tension spring
198	Cap, for tension pin



Item No.	Description
A16155	Meat carriage assembly complete
A175S	Thumb guard assembly
FW05S	Flat washer, $\frac{1}{4}$ SS
AN15S	Acorn nut, $\frac{1}{4}$ -20 SS
HN30S	Hex nut, $\frac{3}{8}$ -16 light jam SS
LW20S	Lock washer $\frac{3}{8}$ regular SS
S155-11	Meat carriage stop thumb screw
16155	Meat carriage top & angle only

Item No.	Description
16155-2A	Meat carriage guide
16155-2B	Meat carriage guide spacer, $\frac{1}{64}$ TK
16155-2C	Meat carriage guide spacer, $\frac{1}{32}$ TK
16155-13	Carriage stop angle SS, welded
16159	Meat carriage bearing SS
175S	Thumb guard, nylon
175-1-S	Thumb guard nut SS
175-2-S	Thumb screw $\frac{1}{4}$ -20 \times $\frac{1}{2}$

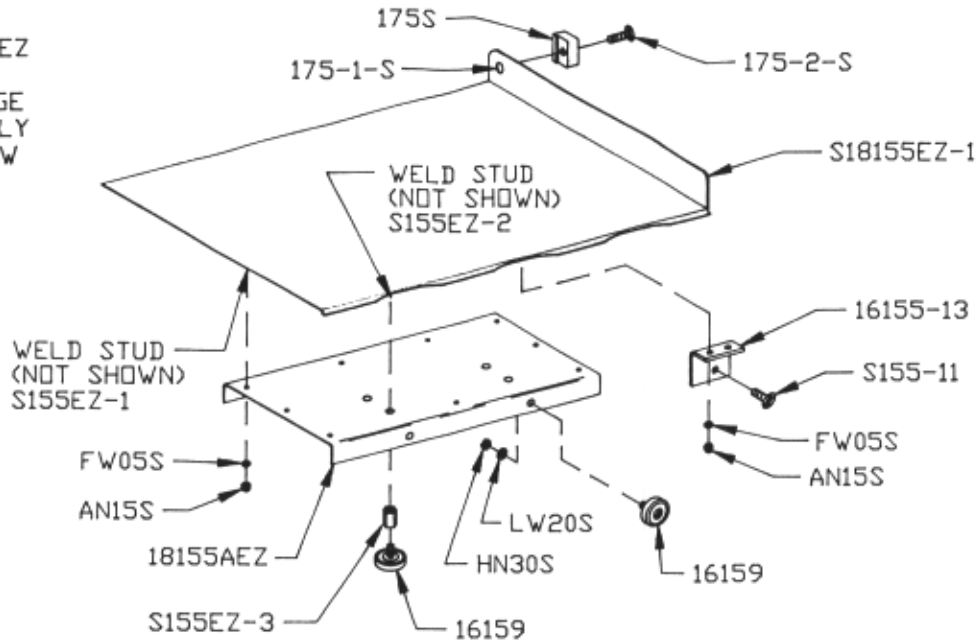


Item No.	Description
A16200	Carriage stop assembly, movable
A16220-1	Carriage stop assembly, fixed
AS16120	Channel assembly, 37"
FW08S	Flat washer, $\frac{3}{8}$ SS
FW15S	Flat washer, $\frac{1}{2}$ SS
HHS075S	Hex head screw, $\frac{3}{8}$ -16 \times $1\frac{1}{4}$ SS
HN20S	Hex nut, $\frac{5}{16}$ -18 SS
HN25S	Hex nut, $\frac{3}{8}$ -16 SS
LW15S	Lock washer, $\frac{5}{16}$ SS
LW25S	Lock washer, $\frac{3}{8}$ SS

Item No.	Description
S16120	Channel, 37" SS
S200B1	Carriage stop stud SS
S360CB-1	Carriage bolt, $\frac{3}{8}$ -16 \times $1\frac{1}{4}$ SS
16200	Carriage stop, movable
16220-1	Carriage stop, fixed
310	Waved washer
311	Rubber bumper, fixed stop
311-1	Rubber bumper, movable stop
376	Drive screw $10 \times \frac{1}{2}$ SS

MODEL 3334, SERIES 4003 EZ FLOW CARRIAGE & CHANNEL

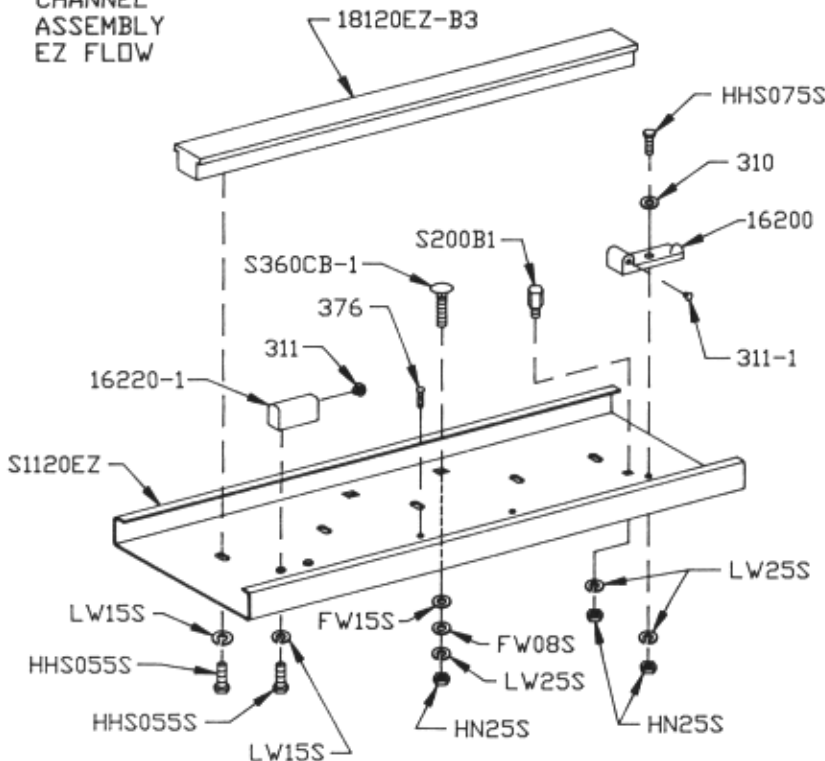
**A181155EZ
MEAT
CARRIAGE
ASSEMBLY
EZ FLOW**



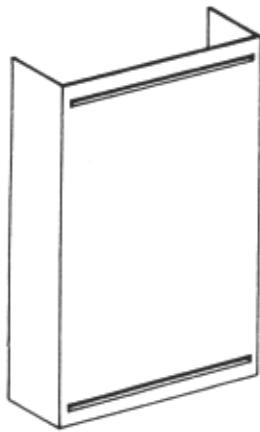
Item No.	Description
A175S	Thumb guard assembly
A181155EZ	Meat carriage assembly, EZ Flow
AN15S	Acorn nut, 1/4-20
FW05S	Flat washer, 1/4
HN30S	Hex nut, 3/8-16 light jam
LW20S	Lock washer, light
S155-11	Carriage stop thumb screw

Item No.	Description
S181155AEZ	Carriage bearing angle plate
S181155EZ-1	Carriage top w/weld studs
S155EZ-3	Hex stand-off
16159	Carriage bearing
175S	Thumb guard
175-1-S	Thumb guard nut
175-2-S	Thumb screw 1/4-20 x 1/2

**AS1120EZ
CHANNEL
ASSEMBLY
EZ FLOW**



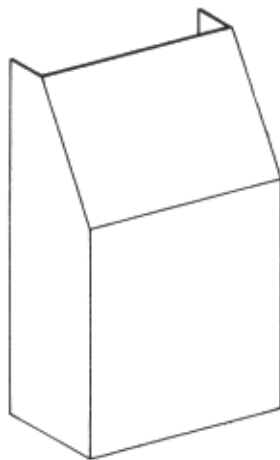
Item No.	Description
A16200	Carriage stop assembly, movable
A16220-1	Carriage stop assembly, fixed
AS1120EZ	Channel assembly, EZ Flow
FW08S	Flat washer, 3/8
FW15S	Flat washer, 1/2
HHS055S	Hex head screw, 5/16-18 x 3/4
HHS075S	Hex head screw, 3/8-16 x 1 1/4
HN25S	Hex nut, 3/8-16
LW15S	Lock washer, 5/16
LW25S	Lock washer, 3/8
S1120EZ	Channel, EZ Flow
18120EZ-B3	Carriage guide bar, EZ Flow
S200B1	Stop stud, SS
S360CB-1	Carriage bolt, 3/8-16 x 1 1/4
NOT SHOWN S1007	Channel bracket, SS



S16217L
Base Door Left, SS

USE WITH

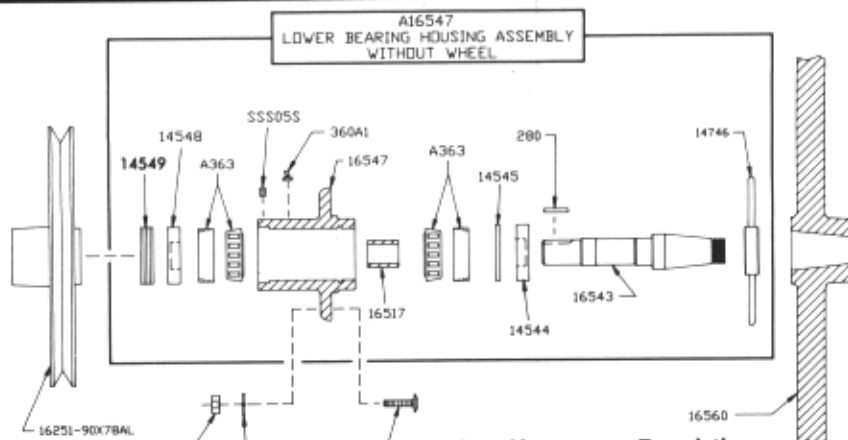
Motor Mfg.	Model No.	Specifications
Doerr	XR72927	1½HP, 220/440-50/60-3 open
Doerr	R72929	2HP, 220/440-50/60-3 open
U.S. Motor	G54313	2HP, 220/440-50/60-3 open
Doerr	73020	2HP, 550-60-3 open
U.S. Motor	G57016	2HP, 550-60-3 open



S16217LTP
Base Door, Left Tapered Panel, SS

USE WITH

Motor Mfg.	Model No.	Specifications
Doerr	73032	1½HP, 115/230-50-1 open
U.S. Motor	G57347	1½HP, 115/230-50-1 open
Doerr	72933	1½HP, 115/230-60-1 open
Baldor	L3605	2HP, 115/230-60-1 TE
Baldor	L3605-50	2HP, 115/230-50-1 TE
Baldor	L1322T	2HP, 115/230-60-1 open
Doerr	67385	2HP, 208/220/440-50/60-3 TE
Baldor	M3558T-5	2HP, 550-60-3 TE
Baldor	M3558T-50	2HP, 220/380/415-50-3 TE
Baldor	M3558T-8	2HP, 200-60-3 TE
Doerr	72540	3HP, 220/440-50/60-3 TE
Doerr	75425	3HP, 220/440-50/60-3 TE
U.S. Motor	G57011	3HP, 220/440-50/60-3 TE
Baldor	M3611	3HP, 220/440-50/60-3 TE
Baldor	M3611T-50	3HP, 220/380/440-50-3 TE
Baldor	M3611T-8	3HP, 200-60-3 TE
Doerr	73031	5HP, 220/440-50/60-3 TE
Doerr	A907	5HP, 220/440-50/60-3 TE



Item No.	Description
A16547	Lower bearing housing assembly without wheel
A363	Lower bearing cup/cone assembly
HN25	Hex nut 3/8-16, carbon-plated
LW25S	Lock washer, 3/8 heavy
S360CB-1	Carriage bolt, 3/8-16 x 1 1/4
SSS05S	Set screw, 10-24 x 3/8
14544	Grease seal
14545	Retaining ring, internal

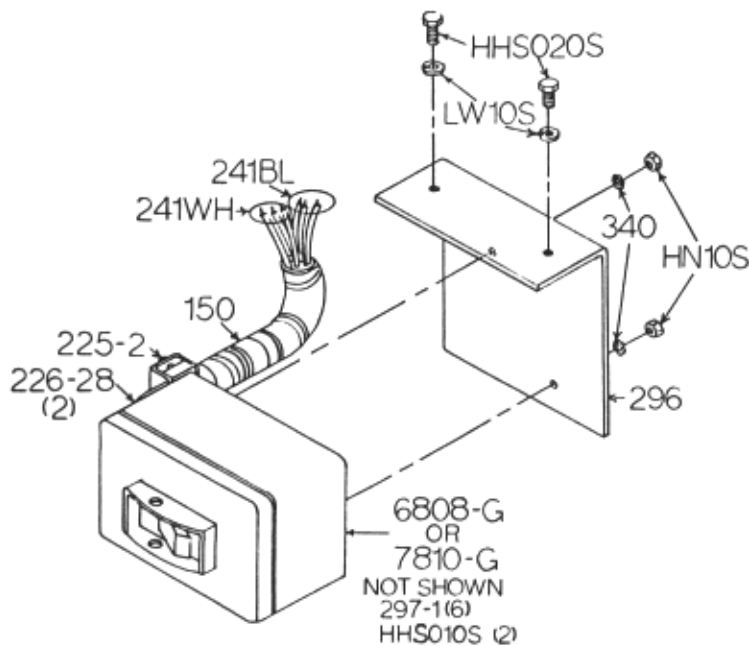
Item No.	Description
14548	Grease seal
14549	Bearing adj. cap
14746	T-handle lock, removable lower wheel
16251-90X78AL	Pulley, 9 x 7/8, al.
16517	Inner race spacer
16543	Lower shaft, remov. wheel
16547	Lower bearing housing
16560-6	lower wheel, 16", 6 spoke removable
280	Lower shaft key

Item No.	Description
14548	Grease seal
14549	Bearing adj. cap
14746	T-handle lock, removable lower wheel
16251-90X78AL	Pulley, 9 x 7/8, al.
16517	Inner race spacer
16543	Lower shaft, remov. wheel
16547	Lower bearing housing
16560-6	lower wheel, 16", 6 spoke removable
280	Lower shaft key

A6808-G-16
TOGGLE SWITCH
ASSEMBLY 1PHASE

OR

A7810-G-16
TOGGLE SWITCH
ASSEMBLY 3PHASE



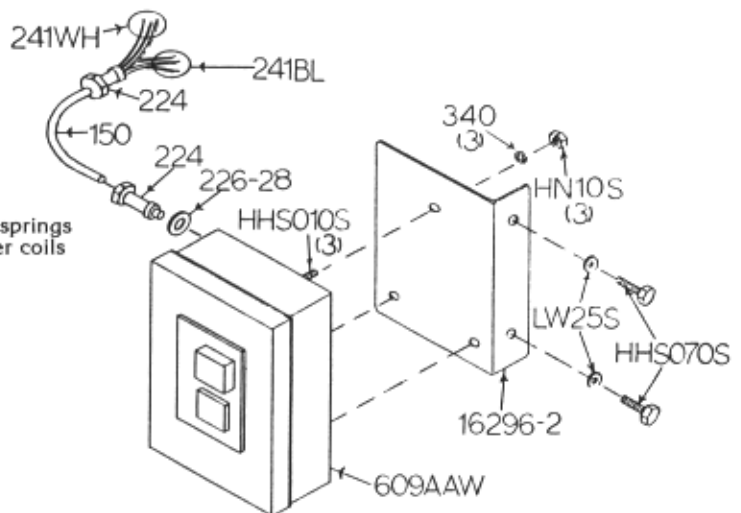
Item No.

A6808-G-16
A7810-G-16
HHS020S
HN10S
LW10S
150
225-2
226-28
241BL
241WH
296
297-1
340
6808-G
7810-G

Description

Toggle switch assembly, 1PH
Toggle switch assembly, 3PH
Hex head screw, 1/4-20 x 3/8 SS
Hex nut, 10-32 SS
Lock washer, 1/4 SS
Conduit, 1/2"
Conduit connector, 45°
Washer SS, 1 1/2 x 27/32
Wire, black, 12GA., CSA & UL
Wire, white, 12GA., CSA & UL
Switch bracket SS
Wire terminal eyelet
Star lock washer
Toggle switch, 1 phase
Toggle switch, 3 phase

A609AAW-16
SWITCH ASSEMBLY

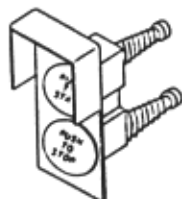


Item No.

A16226A
A609AAW-16
HHS010S
HHS070S
HN10S
LW25S
16296-2
150
224
226-28
241BL
241WH
340
609AAW

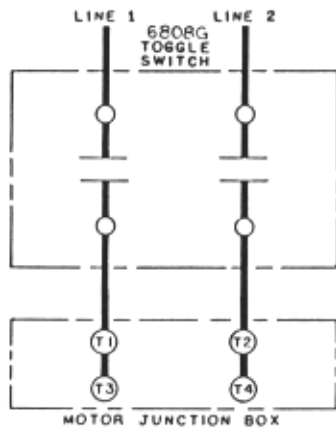
Description

Green/red switch button assembly w/springs
Switch assembly, 1 & 3 ph less heater coils
Hex head screw, 10-32 x 3/8 SS
Hex head screw, 3/8-16 x 1 SS
Hex nut, 10-32 SS
Lock washer, 3/8 SS
Switch bracket SS
Conduit, 1/2"
Conduit connector, 180°
Washer SS, 1 1/2 x 27/32
Wire, black, 12GA., CSA & UL
Wire, white, 12GA., CSA & UL
Star lock washer
Manual switch, size 0, 1 & 3 ph

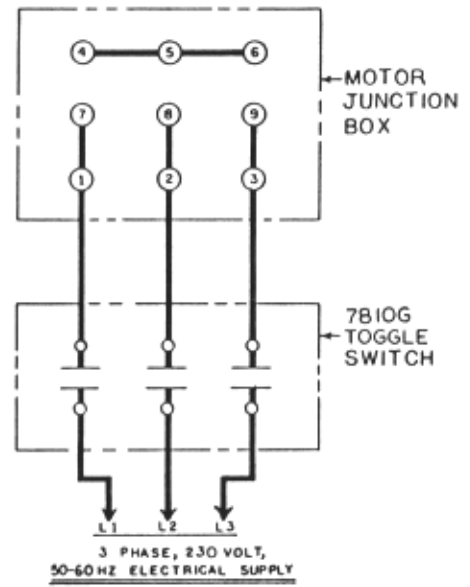
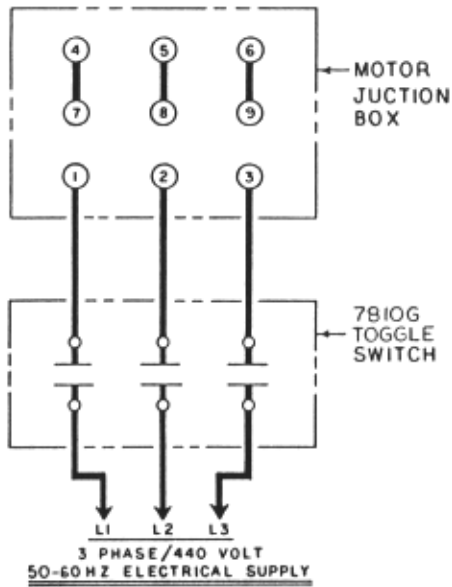
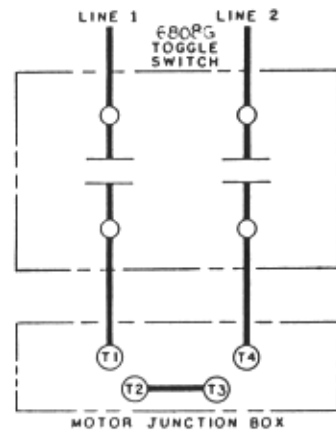


A16226A

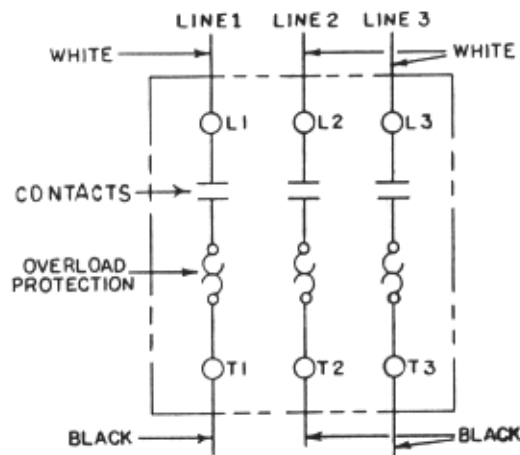
110-115 VOLTS



220-230 VOLTS



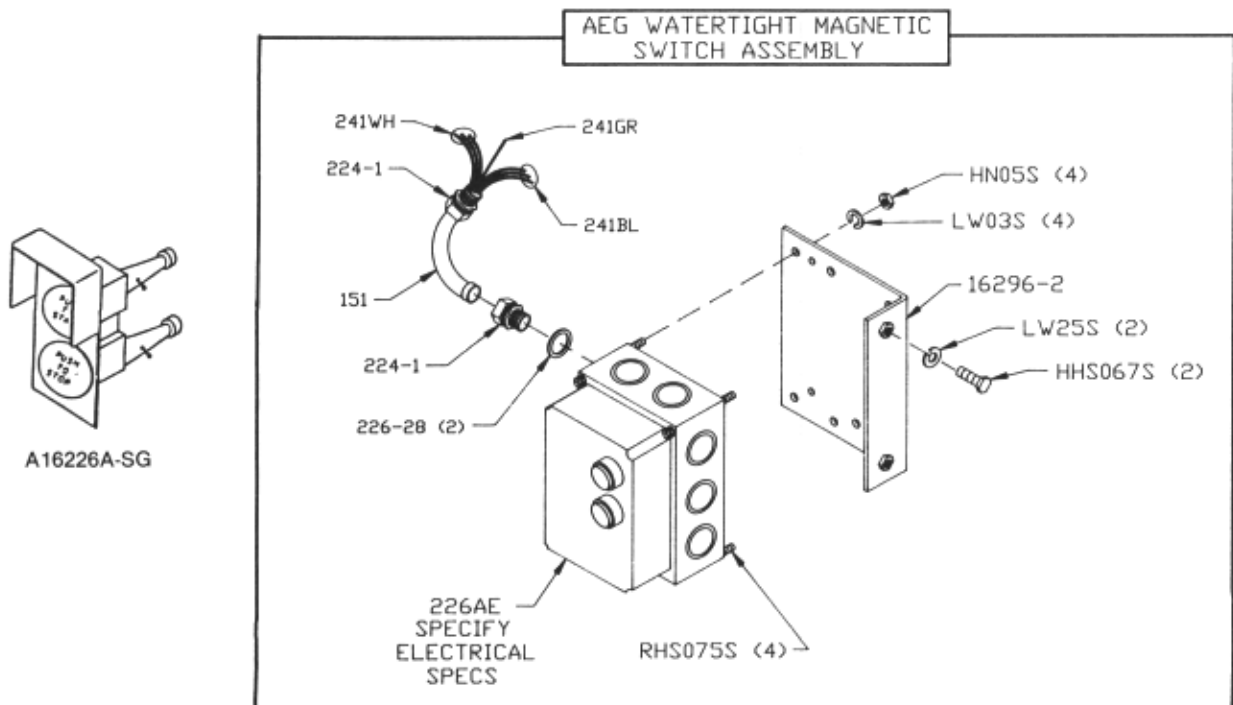
609AAW



WATERTIGHT MAGNETIC SWITCH ASSEMBLIES (AEG) INCLUDES MOUNTING BRACKET AND WIRES

Item No.	Description
A22616AE-506	BAEG/PC-PB/C6, 1½HP, 208/220/230-50/60-3
A22616AE-514	BAEG/PC-PB/C8, 2HP, 208/220/230-50/60-3
A22616AE-516	BAEG/PC-PB/E4, 1½HP, 440/460-3
A22616AE-518	BAEG/PC-PB/D6, 1½HP, 380/415-50-3; 2HP, 380/415-50-3
A22616AE-520	BAEG/PC-PB/A23, 1½HP, 104/115-50/60-1
A22616AE-522	BAEG/PC-PB/C12, 1½HP & 3HP, 208/220/230-50/60-1
A22616AE-524	BAEG/PC-PB/A32, 2HP, 115-60-1

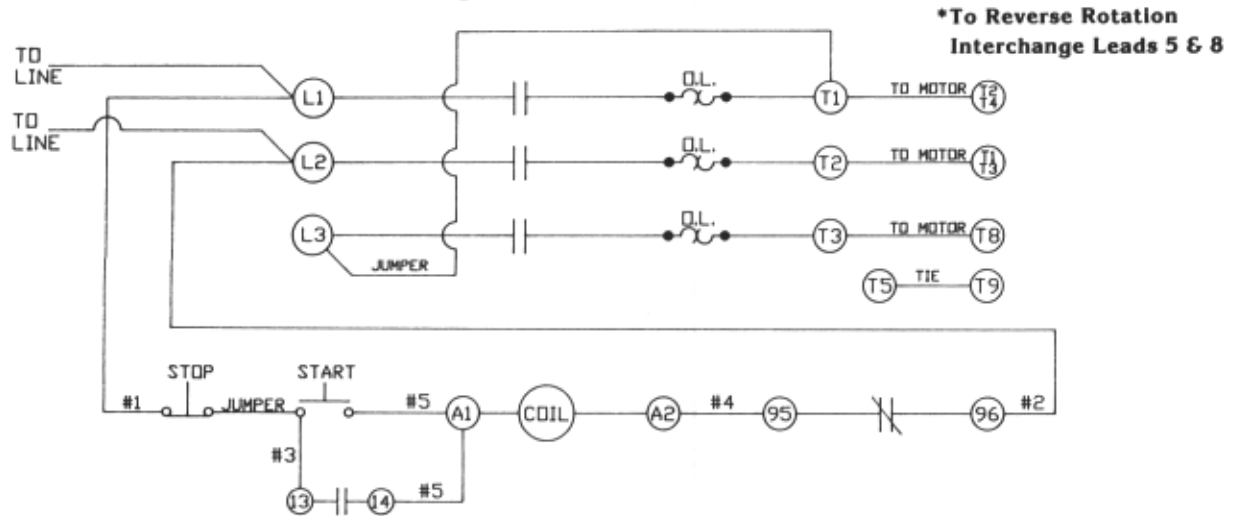
Item No.	Description
A22616AE-526	BAEG/PC-PB/C17, 2HP, 230-60-1
A22616AE-530	BAEG/PC-PB/F2.8, 2HP, 550-60-3
A22616AE-534	BAEG/PC-PB/E6, 3HP, 440/460-60-3
A22616AE-536	BAEG/PC-PB/D8, 3HP, 380/415-50-3
A22616AE-538	BAEG/PC-PB/F4, 3HP, 550-60-3
A22616AE-540	BAEG/PC-PB/C23, 5HP, 208/220/230-50/60-3
A22616AE-543	BAEG/PC-PB/E8, 5HP, 440-60-3
A22616AE-546	BAEG/PC-PB/D12, 5HP, 380/415-50-3
A22616AE-548	BAEG/PC-PB/F8, 5HP, 550-60-3



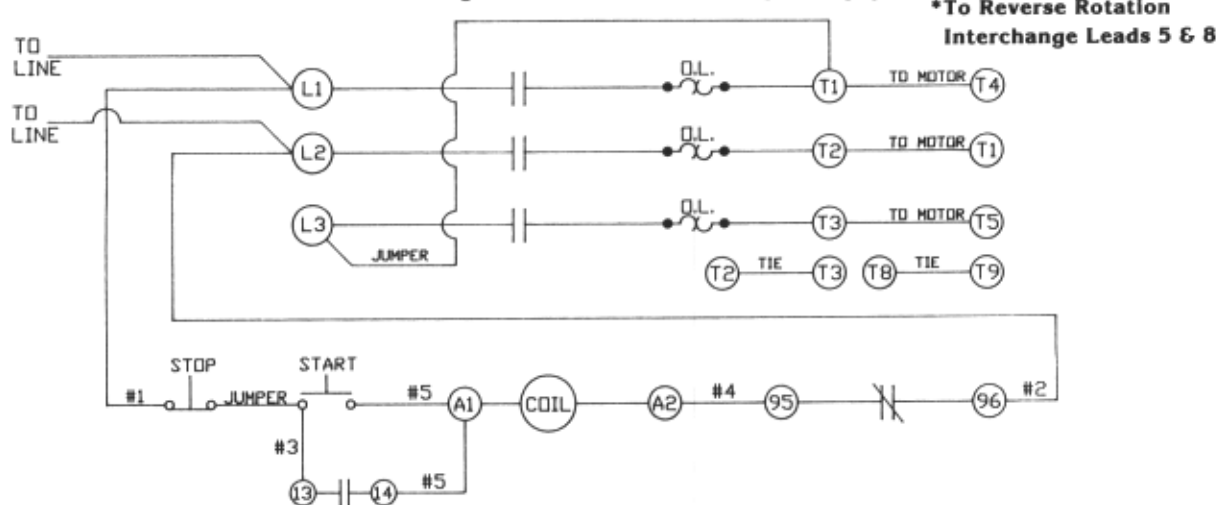
Item No.	Description
A16226A-SG	Green/red switch button assembly
HHS070S	Hex head screw, 3/8-16 x 1 SS
HN05S	Hex nut, 8-32 SS
LW03S	Lock washer, #8 SS
LW25S	Lock washer, 3/8 heavy SS
RHS075S	Round head screw, 8-32 x 3/4 SS
16296-2	Switch bracket SS
151	Watertight conduit
224-1	Conduit connector, WT, 180°
226AE-ENCL-PB	Enclosure with button holes
226AE-0L02H	Overload, B17S-H (1.8-2.8)
226AE-0L04I	Overload, B17S-I (2.8-4)
226AE-0L06K	Overload, B17S-K (4.6)
226AE-0L08L	Overload, B17S-L (5.6-8)
226AE-0L12M	Overload, B17S-M (8-12)
226AE-0L17N	Overload, B17S-N (11-17)
226AE-0L23O	Overload, B17S-O (15-23)
226AE-0L32P	Overload, B17S-P (22-32)
226AE-A0	Contactor, SP17.10-A0, 110V
226AE-C0	Contactor, SP17.10-C0, 208/220/230V
226AE-D0	Contactor, SP17.10-D0, 380/415V
226AE-E0	Contactor, SP17.10-E0, 440V

Item No.	Description
226AE-F0	Contactor, SP17.10-F0, 550V
226AE-506	BAEG/PC-PB/C6
226AE-514	BAEG/PC-PB/C8
226AE-516	BAEG/PC-PB/E4
226AE-518	BAEG/PC-PB/D6
226AE-520	BAEG/PC-PB/A23
226AE-522	BAEG/PC-PB/C12
226AE-524	BAEG/PC-PB/A32
226AE-526	BAEG/PC-PB/C17
226AE-530	BAEG/PC-PB/F2.8
226AE-534	BAEG/PC-PB/E6
226AE-536	BAEG/PC-PB/D8
226AE-538	BAEG/PC-PB/F4
226AE-540	BAEG/PC-PB/C23
226AE-543	BAEG/PC-PB/E8
226AE-546	BAEG/PC-PB/D12
226AE-548	BAEG/PC-PB/F8
226-28	Washer, 1½ x 27/32 SS
241BL	Wire, black, 12 GA., CSA & UL
241GR	Wire, green, 12 GA., CSA & UL
241RD	Wire, red, 12 GA., CSA & UL
241WH	Wire, white, 12 GA., CSA & UL

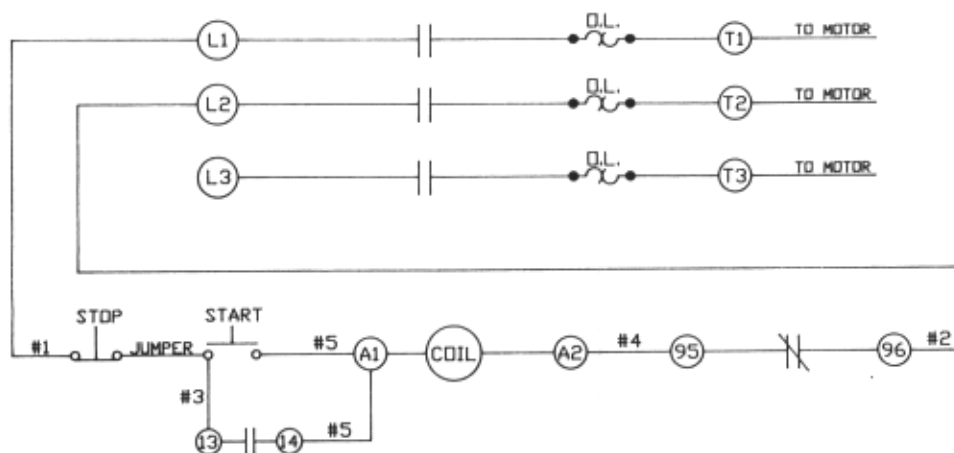
**Model 3334 Schematic Using 3PH AEG W.T. Magnetic Switch
for 115 Volts, Single Phase, 60 Cycle Baldor Motor
To Eliminate Breaking Effect of Motor After Stop Is Engaged**



**Model 3334 Schematic Using 3PH AEG W.T. Magnetic Switch
for 230 Volts, Single Phase, 60 Cycle Baldor Motor
To Eliminate Breaking Effect of Motor After Stop Is Engaged**



**Model 3334 Schematic Using 3PH AEG W.T. Magnetic Switch
for 220/440 Volts, Three Phase, 60 Cycle Baldor Motor
To Eliminate Breaking Effect of Motor After Stop Is Engaged**



MODEL 3334 PARTS NUMBERS AND DESCRIPTIONS
SEND IN MODEL NO. AND SERIAL NO. WHEN ORDERING PARTS

Item No.	Description	Item No.	Description
AN15S	Acorn nut, 1/4-20, SS	S360CB-1	Carriage bit 3/8-16 x 1 1/4 SS
FW05S	Flat washer, 1/4, SS	S415D	Stainless stationary bar
FW07S	Flat washer, 3/8, SS	S416	Platter locator weld pin, SS
FW08S	Falt washer, 3/8 ID x 1 OD, SS	SSS05S	Set screw, 10-24 x 3/8, cup point, SS
FW10S	Flat washer, 5/16, SS	SSS15	Set screw, cup point, 5/16-18 x 5/16
FW15S	Flat washer, 1/2, SS	SSS20	Set screw, cup point, 3/8-16 x 3/8
HHS003S	Trimmed hex head screw, 8/32 x 1/4, SS	10-1	Ratchet arm
HHS005S	Hex head screw, 10-32 x 3/8, SS	111	Tension spring pin
HHS010S	Hex head screw, 8/32 x 1/2, SS	112-212	Waved washer, 2 1/64 ID, 5/8 OD
HHS015S	Hex head screw, 10-32 x 7/8, SS	116-22	Saw guide bar 22 inch
HHS020S	Hex head screw, 1/4-20 x 3/8, SS	118	Tension spring plate
HHS025S	Hex head screw, 1/4-20 x 1/2, SS	119A	Saw guide stationary bar
HHS035S	Hex head screw, 1/4-20 x 5/8, SS	119AFSC	Saw guide stationary bar fish
HHS040S	Hex head screw, 1/4-20 x 3/4, SS	130	Saw cleaner bracket, rear
HHS049NL	Hex head screw, 5/16-18 x 1/2, nylon	131	Saw cleaner SS
HHS050S	Hex head screw, 5/16-18 x 5/8, SS	14362	Bearing adj. cap
HHS055S	Hex head screw, 5/16-18 x 3/4, SS	14544	Grease seal
HHS060S	Hex head screw, 5/16-18 x 1, SS	14545	Ret. ring, internal
HHS070S	Hex head screw, 3/8-16 x 1, SS	14548	Grease seal
HHS075S	Hex head screw, 3/8-16 x 1 1/4, SS	14746	T-handle lock, removable lower wheel
HN05S	Hex nut, 8-32, SS	14GP	Head door hinge pin long 1 1/2
HN10S	Hex nut, 10-32, SS	14GP-1	Head door hinge pin short 1 1/4
HN15S	Hex nut, 1/4-20, SS	14TH	Head door hinge
HN20S	Hex nut, 5/16-18, SS	16Z	Lower gde brkt sw clnr holder
HN25	Hex nut, 3/8 x 16	16001	Upper main bearing spacer
HN25S	Hex nut, 3/8-16, SS	16003-6	Lower saw wheel 16 inch, 6 spoke
HN30S	Hex nut, 3/8-16, light jam, SS	16003D-6	Upper saw wheel 16 inch, 6 spoke
HN35S	Hex nut, 3/8-16, SS	16005	Head, aluminum
LH663	Left hand saw guard	16005-1	Ratchet shield on head
LW05S	Lock washer, #10, SS	16006	Head door (use A16006)
LW10S	Lock washer, 1/4, SS	16015-10	Motor base plate, 1 ph
LW15S	Lock washer, 5/16, SS	16015-11	Mtr bseplt, spec. TE FRM145T, SS
LW20S	Lock washer, 3/8, regular, SS	16015-12	Motor base plate, spec. Norway
LW25S	Lock washer, 3/8, SS	16015-2	Motor base plate stud nut
M55-G54313-U	Motor, 2HP 208/220/440-50/60-3, open	16015-3	Motor base plate wing nut
M61-73020-D	Motor, 2HP, 550-60-3, open	16015-4	Motor base plate lock washer
M65-L3605-B	Motor, 2HP, 115/230-60-1, TE	16112	Head door latch
M66-L1322T-B	Motor, 2HP, 115/230-60-1, open	16132	Saw cleaner brkt holder rear
M68-67385-D	Motor, 2HP, 208/220/440-50/60-3, TE	16154	Table extension, SS
M701-G57011-U	Motor, 3HP, 208/220/230/440-50/60-3, TE	16155	Meat carriage top E angle
M73-A907-D	Motor, 5HP, 208/220/440-50/60-3, TE	16155-13	Carriage stop angle SS
RHS20S	Round head screw, 10-32 x 1 1/8, SS	16155-2A	Meat carriage guide
RHS10S	Round head screw, 10-32 x 3/4, SS	16155-2B	Meat carriage guide spacer 1/64
RHS25S	Round head screw, 1/4-20 x 3/4, SS	16155-2C	Meat carriage guide spacer 1/32
RHS30S	Round head screw, 1/4-20 x 7/8, SS	16159	Meat carriage bearing
S1007	Channel bracket, SS (3334-4003 only)	16163A	Platter hold down clip
S11	Ratchet trigger	16163B	Platter neck guard, SS
S1120EZ	Channel, SS (3334-4003 only)	16163B-1	Platter neck guard, England
S12214	Platter bracket starting with S/N 24464*	16197	Tension spring gauge
S155-11	Meat carr stop thumb screw	16200	Carriage stop movable
S155B	Meat carriage stop welded	16212	Platter latch
S155EZ-3	Hex standoff, EZ flow carriage	16220-1	Carriage stop fixed
S16005C	Head, SS	16226A-5	Switch button plate rivet
S16006	Head door, SS	16226A-6	Switch button speed nut
S16007	Channel bracket SS	16226A-8	Switch buttonhole filler plate
S16015-1	Motor baseplate adjusting stud, SS	16232	Scrap bucket
S16120	Channel stainless steel	16239-16	Base interlock plte, SS, England
S16217L	Base door left panel SS, see page 21	16251AL	Upper v-belt pulley 11.4 x 1, aluminum
S16217LTP	Base door left tapered panel, SS, see page 27	16251-90X78AL	Upper pulley 9 x 7/8
S16217R	Base door right hinged SS	16272	Meat gauge gear rack
S16239	Base, stainless steel	16275	Replaced by A16278
S16273	Meat gauge bracket SS	16278	Meat gauge arm
S16275	Meat gauge plate, SS	16296-2	Switch bracket, SS
S16290	Cleaning unit stamping SS	16301	Name E model plate (Ser. No. required)
S16296-8	Switch brkt Kroger 800S2SA4	16302	Saw blade 124 inch
S16335X	Upper wheel hinge plate, SS	16303	Lower shaft nut
S181155AEZ	Meat carriage angle, EZ flow (3334-4003 only)	16313-100	Operating manual
S18155EZ-1	Carriage top w/weld studs (3334-4003 only)	16360	Lower bearing housing
S189	Ratchet arm stud, stainless	16361	Lower shaft
S19	Ratchet base, stainless	16501	Motor mount, rubber, 1 ph
S200B1	Stopstud gde bar E crg stp SS	16502	Motor mount washer, 1 ph
S217C	Base door hinge pin long SS	16503	Motor mount bolt 3 inch, 1 ph
S217E	Base door hinge pin short SS	16508	Motor mount star washer 1 ph
S229	Wheel cleaner arm torsion spring, SS	16517	Inner race spacer
S235	Taper pin, stainless, 4 x 3/4	16543	Lower shaft, removable wheel
S239-B30	Base foot welded, SS	16547	Lower brg. hsg. removable wheel
S244	Wheel cleaner arm stud SS	16560	Lower wheel, 16", 6 spoke, removable
S253	Upper wheel aligning screw, SS	16700	Parts repair kit
S262	Meat gauge release handle	17-3	Fngrlift wshr, 9/16 x .276 x .104, use FW05S
S268	Stationary bar hdless screw, SS	17211-22	Finger lift shim .022
S295	Wheel cleaner arm, stainless	17211-35	Finger lift shim .035
S325	Wheel cleaner washer, SS	175-1-S	Thumb guard nut, SS

Item No.	Description	Item No.	Description
175-2-S	Thumb screw 1/4-20 x 1 1/2	272-13	Hex bolt, meat gauge bracket
175S	Thumb guard, nylon	272-14	Castle nut, 3/16-18, SS
18120EZ-B3	Guide bar, EZ flow	277	Lower shaft key
211D	Finger lift fastener bolt 3/8-16 x 1 3/4	280	Motor shaft key
221-(size)	V-belt	296	Toggle switch bracket, 1 1/2HP mtr
226-28	Cndt conctrwshr 1 1/2 x 27/32SS	296-3	Sw brkt ACW, BCW, AAA1, TAA1, 2HP mtr & up
228-2	Lwr sawguide wshr, 1/4 x 7/8 x 1/16	300	Lower shaft woodruff key
230DL	Upper shaft seal, double lip	310	Washr move carr stp headdr lck
231DL	Lower shaft seal, double lip	311	Rubber bumper
234	Grease fitting upper wheel	311-1	Rubber bumper
237	Up shaft castellated lock nut	324	Motor shim 1/16" thick
238	Up shaft castld lock nut washr	324A	Motor shim 1/8" thick
239-B31-2	Pipe leg, aluminum, 6"	340	Star lock washer
239-B32-AR	Pipe leg cap	360A1	Lower brg hngng angl grease fitting
239-B34	Replaced by AS239-B30-B*	360B	Lower brg hngng tilt set screw
240	Ratchet trigger spring	362	Lower bearing housing cap
242R	Base door lock, right	374	M-6 Lubriko grease, 14 oz.
247	Upper shaft	375	Drive screw, name & model plate
248	Upper wheel hub cap	376	Drive screw #10 x 1/2, SS
249	Base door handle	4-30AL	Motor pulley 5 x 3/4, aluminum
252X	Shaft lock nut	415D	Stationary bar
256P	Safety pusher plate, compostn	416	Platter locator weld pins (use S416)
256PM	Safety pusher plate, aluminum	513	Upper wheel hub gasket
259	Anti-short bushing, 1/2	530	Retaining ring (replaces 16001) 22164 on
260	Aluminum slide gib	601	Upper saw guide bracket
260ALS	Shim for aluminum slide gib	602B	Saw guide, upper
264-1	Meat gauge hand wheel	602AFSC	Saw guide upper bracket, fish
264G	Meat gauge hand whl groove pin	605	Saw guide, lower blade back-up
265	Meat gauge release spring	609AAW	General purpose switch, 1 & 3 ph
267	Meat gauge release cotter key	653PC-E	Warning label, English
270	Meat gauge release pin	653PC-SP	Warning label, Spanish
271	Meat gauge worm gear	661-1	Saw guard to head door
272-6-S	Meat gauge bracket wing nut	663	Saw guard on saw guide bar (if before S/N 12242, also supply #116-22 & #661-1)
272-7	Knob, 4-point, 3/16-18	6808-G	Toggle switch, 1 ph
272-8	Cap nut, 3/16-18, SS	71-1	Upper wheel hinge bracket SS
272-9	Hex bolt, 3/16-18 x 2, SS	708	Saw guard safety decal
		710	Decal, "Blade Tension"
		7810-G	Toggle switch, 3 ph

*NOTE Stainless steel (S12214) side platter kits available before Ser. No. 24464 — check with Biro Service Dept.

COMPLETE ASSEMBLIES FOR MODEL 3334

Item No.	Description	Item No.	Description
AS1120EZ	Channel assembly w/center guide (3334-4003 only)	A16196	Tension spring assembly
AS16005	Head & door assembly	A16200	Channel stop assem movable
AS16006	Head door assembly, SS	A16220-1	Channel stop assembly fixed
AS16120	Channel assembly, SS	A16247	Up shaft brg assem without wheel
AS16273-275	Meat gauge assembly	A16278	Meat gauge plate assembly less release assembly
AS16275	Meat gauge plate with release assembly	A16335X	Hinge plate assembly
AS16290	Cleaning unit stamping assembly, SS	A16360	Lower bearing housing assembly
AS16290-1	Cleaning unit total assembly	A16361	Lower shaft bearing assembly
AS239-B30-B	Bolt-on base foot & leg assembly w/fasteners	A16547	Lower bearing housing assembly, removable wheel
AS415D	Stationary bar assembly SS	A181155EZ	Meat carriage assembly w/center guide (3334-4003 only)
A116-22	Saw guide bar assembly 22	A19-1	Ratchet assembly
A130	Steel cleaner assembly	A175S	Thumb guard assembly
A16Z	Guide brkt saw cleaner assem	A211	Finger lift assembly removable
A16003U-6	Up wheel assem without hinge plate	A227	Up bearing cup/cone assembly
A16003U335-6	Up wheel assem with hinge plate	A249R	Base door handle assem, right
A16005	Head & door assembly	A260	Aluminum slide gib assembly
A16006	Head door with hinge assem	A262	Meat gauge release assembly
A16014L	Head door hnge assem, lwr, shrtpn	A295	Wheel cleaner assembly
A16014U	Head door hnge assem, upr, lngpn	A363	Lower bearing cup/cone assem
A16112	Head door latch assembly	A415D	Stationary bar assembly
A16132	Steel cleaner assembly, rear	A602	Saw guide assembly, upper
A16155	Meat carriage assembly	A605	Saw guide assembly lower blade backup
A16163	Stationary platter assembly	A661-1	Saw guard on head door assembly
A16163-E	Stationary platter assembly, England	A71-1	Upper wheel hinge bracket assembly
A16163-M	Platter assembly, Govt., Size 2		