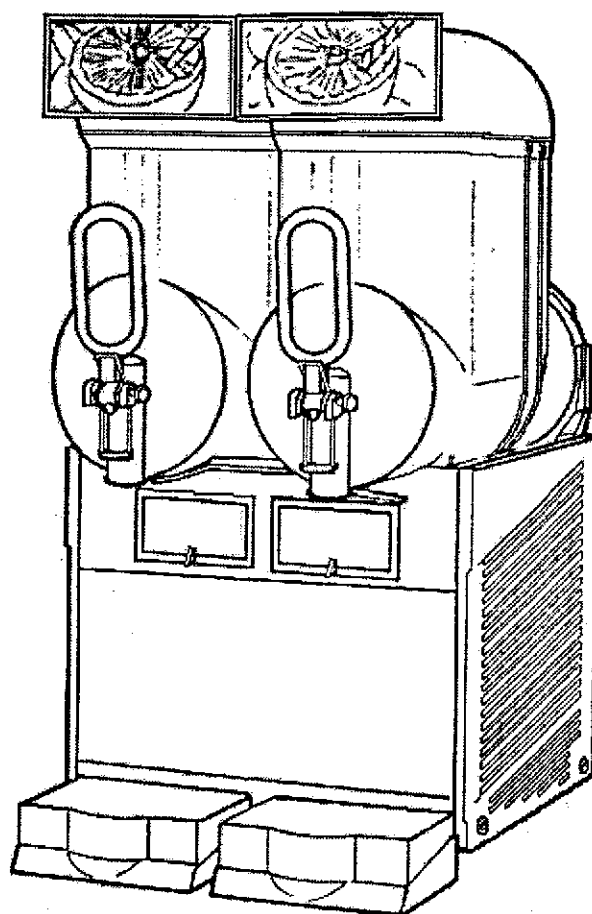


BRAS FROZEN BEVERAGE DISPENSER
意大利百利士牌雪蓉機

MODEL: FBM-2L
FBM-2L 型號



Instruction for User
用戶使用說明

Technical Information
技術資料

1. <<TECHNICAL INFORMATION>> 技術資料

Model: 型號 : FBM-2L

Transparent removable bowls

透明膠桶數目 : 2個 (pcs)

Capacity of each bowl, approx.

每個膠桶容量 : 10公升 (Litre)

Dimensions

外形尺寸:闊(W) : 36 cm

:深(D) : 47cm

:高(H) : 69cm

Net weight

淨重 : 37公斤 (kg)

Gross weight

毛重 : 40公斤 (kg)

Adjustable thermostats

可調節溫控器數目 : 2個 (pcs)

Hermetic compressor

壓縮機功率 : 1100W

冷媒使用 : R22

IMPORTANT: The serial number of the unit (preceded by the symbol#) is adhered inside the left switch box. Data plate specifications will always supersede the information in this manual.

注意

本產品的資料名牌是安裝在右下方的水盤背面。

2. <<INTRODUCTION>> 介紹

Please read all sections of this manual thoroughly to familiarize yourself with all aspects of the unit. Like all mechanical products, this machine will require cleaning and maintenance. Besides, dispenser working can be compromised by operator's mistakes during disassembly and cleaning. It is strongly recommended that personnel responsible for the equipment's daily operations, disassembly, cleaning, sanitizing and assembly, go through these procedures in order to be properly trained and to make sure that no misunderstandings exists.

請詳細閱讀此說明書和有關機器的操作的使用說明。如其他機器一樣，本產品需要日常的清潔和保養。

3. <<INSTALLATION>> 安裝

- 3/I Remove the corrugate container and packing materials and keep them for possible future use.
除去包裝的紙箱，內置的保護泡沫，可以保留以作將來需要。搬運時，請利用紙箱底部受力，不可以利用膠桶或蒸發器。
- 3/II Inspect the uncrated unit for any possible damage. If damage is found, call the delivering carrier immediately to file a claim.
檢查產品有沒有其他損壞或損傷。
- 3/III Install the unit on a counter top that will support the combined weight of dispenser and product bearing in mind what is stated in the preceding point I IMPORTANT warning.
放置和安裝此產品於工作檯上或適當位置，此選擇位置足以承受本產品的重量和本產品的膠桶盛滿雪蓉的重量。

- 3/IV A minimum of 15cm (6") of free air space all around the unit should be allowed to guarantee adequate ventilation.
 在本產品的前後左右，必須預留約6英寸/15cm的空間，以方便散熱和令本產品正常地操作。
- 3/V Ensure that the legs are screwed tightly into the base of the machine. Replace the standard legs originally installed with the 100mm(4") legs whenever they are provided with the unit.
 請確保本產品的四只腳是妥當
- 3/VI Before plugging the unit in, check if the voltage is the same as that indicated on the data plate. Plug the unit into a grounded, protected single phase electrical supply according to the applicable electrical codes and the specifications of your machine. When the unit has no plug, install a proper grounded plug. Do not use extension cords.
 在未接上電源之前，請確保來電供應與本機的電源要求相同。並必須加裝接地線，確保安全。
- 3/VII Each drip tray has two diaphragm plugs: if a continuous drain is needed, perforate one of the drain plugs and connect it to a flexible drain line (see figure 1)
 每一個盛水盤都設有去水孔。若需要長時間漏水的話，可以將小孔打穿和接上膠管(如圖一所示)。

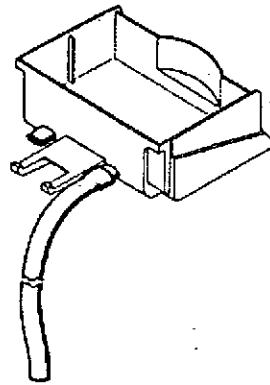


figure 1

4 <<TO OPERATE SAFELY>> 安全使用

- 4/I Do not operate the dispenser without reading this operator's manual
 在未閱讀此說明書前，不要使用本產品。
- 4/II Do not operate the dispenser unless it is properly grounded.
 在未接上地線之前，不要使用本產品。
- 4/III Do not use extension cords to connect the dispenser.
 不要使用拖板或電線中延器。
- 4/IV Do not operate the dispenser unless all panels are restrained with screws.
 若週邊板拆開時，不要使用本產品。
- 4/V Do not obstruct air intake and discharge openings: 15cm(6") minimum air space all around the dispenser.
 週邊空氣要流通，本產品需要留空6英寸/15cm空間。
- 4/VI Do not put objects or fingers in panels louvers and faucet outlet.
 不要把手指或物件放入或扣入週邊圍板和膠管內。
- 4/VII Do not remove bowls, augers and panels for cleaning or routine maintenance unless the dispenser is disconnected from its power source.
 在清洗之前，必須將電源拔出。

5 <<OPERATING PROCEDURES>> 操作使用

- 5/I Clean and sanitize the unit according to the instructions in this manual. See chapter 5.3 CLEANING AND SANITIZING PROCEDURES.
請按本說明書，對本產品進行定期的清潔和消毒。見 5.3 清潔和消毒程序。
- 5/II Fill the bowls with product to the maximum level mark. Do not overfill. The exact quantity of product (expressed as liters and gallons) is shown by marks on the bowl.
將果汁或雪蓉，填滿至指定位置，不要過量。
- 5/III In case of products to be diluted with water, pour water into bowl first, then add correct quantity of product. In case of natural squashes, it is advisable to strain them, in order to prevent pulps from obstructing the faucet outlet.
若加入產品需要加小稀釋，請先注入水份，再注入產品。
- 5/IV To obtain the best performance and result, use bases designed to be run in Granita freezers. Such bases have a sugar content of 34 degrees Baume corresponding to 64 degrees Brix (equivalent to a specific gravity of about 1.3 kg/liter).
- 5/V Install the covers and check that they are correctly placed over the bowls. There must be a correct electrical connection between the bowl and the cover.
將膠蓋放回原處和確保位置正確。
- 5/VI Set the control switches as shown in chapter 5.1 DESCRIPTION OF CONTROLS.
選擇適當的開關，見 5.1 控制板介紹。
- 5/VII Always leave the dispenser on, as the refrigeration stops automatically when Granita reaches the proper thickness. The mixers will continue to turn.
當雪蓉成功生產後，請讓本產品繼續運作，令攪拌器繼續攪拌。

5.1 <<DESCRIPTION OF CONTROLS>> 控制板介紹

The dispenser is equipped with a power switch and a light switch.

- 本產品設有一個總開關掣 (A) 和燈掣 (E)

In addition each bowl is individually operated by a mixer/refrigeration switch. In fact it is possible to dispense both soft drinks and Granita.

- 在每一個透明膠桶之下，都有一個選擇混合 / 冷凍掣 (B)。可隨意地選擇果汁混合或冷凍雪蓉。

When a bowl is a Soft Drink mode the beverage temperature is controlled by the corresponding thermostat.

- 若膠桶是選擇果汁混合之時，果汁的溫度是由旁邊的溫控器 (D) 調節。

When a bowl is in Granita mode the mix viscosity is controlled by the corresponding adjustment screw located in the rear wall of each container (for temperature and viscosity setting make reference to chapter 5.2 OPERATION HELPFUL HINTS).

- 若膠桶是選擇冷凍雪蓉之時，雪蓉的濃度是由機背的螺絲旋鈕控制濃度。

All the switches are located on the faucet side of the dispenser in switch panels protected by switch covers (see figure 2).

➤ 以上控制器是放置在出水嘴頭下面的蓋內(見圖2)

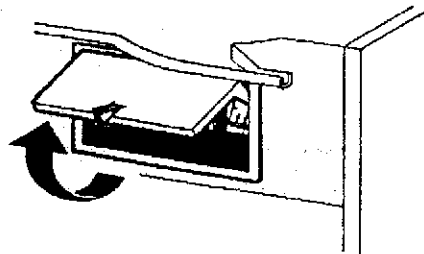


figure 2

In addition all the models except FBM1 are equipped with an automatic safety pressure switch to prevent damages to the compressor. The lighting of the warning light at the left of the switch covers means insufficient ventilation of the unit. In this case check that all around the dispenser there is sufficient space for ventilation, at least 15cm(6") on each side and that condenser filter is free from dust or other obstructions.

➤ 本產品另設有保護壓力裝置，防止壓縮機損壞。當指示燈(C)光亮時，請檢查本產品週邊的散熱情況，或散熱器的塵埃或其他阻礙物。

In case the warning light is still ON even after these operations have been carried out, Service call is required. With reference to figure 3 dispenser controls functions are as follows:

➤ 以上各介紹，詳見圖3

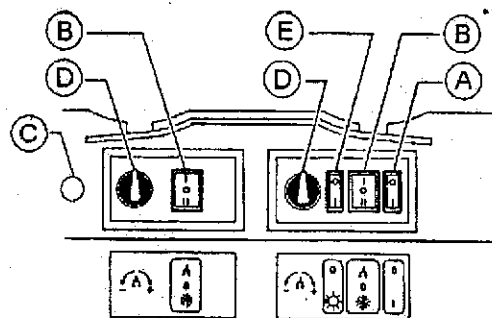


figure 3

Power switch (A) : 總開關掣 (A)

0 position : power is turned OFF to all functions.

0 位置 : 停止一切操作

I position : power is turned ON to all functions and the other switches

I 位置 : are enabled. The fan motor runs.

: 一切操作正常和所有其他控制可以使用，散熱風扇馬達運作。

Light switch (E) : 燈掣 (E)

0 position : all top cover lights are OFF

0 位置 : 所有燈箱內的燈關閉

I position : all top cover lights are ON, provided that power switch (A)

I 位置 : is set to I

: 燈箱內的燈: 光亮

Mixer/refrigeration switch (B) 果汁 / 雪蓉掣 (B)

I position : mixer and refrigeration ON

I 位置 SOFT DRINK mode
混合和冷凍果汁用

0 position : OFF

0 位置 停止混合和冷凍

II position : mixer and refrigeration ON

II 位置 GRANITA mode
混合和冷凍雪蓉用

Thermostat (D) 溫度器

Turn clockwise : to decrease temperature

順時針轉動 減低溫度

Turn counterclockwise : to increase temperature

逆時針轉動 增加溫度

Safety pressure switch warning light (C) 保護壓力裝置指示燈 (C)

Warning light ON : insufficient ventilation

指示燈光亮 散熱不足或不正常

To operate the unit: 操作本產品

1. Set the power switch to I position

將總開關掣推至 I 位置

2. Set the mixer/refrigeration switches as follows:

將混合 / 冷凍掣推至

2.1 to the I position to get soft drink 使用果汁，推至 I 位置

2.2 to the II position to get Granita 使用雪蓉，推至 II 位置

3 Set the light switch to I position

將燈掣推至 I 位置

5.2 <<OPERATION HELPFUL HINTS>> 操作建議

5.2/I Granita viscosity adjustment; proper Granita viscosity is factory preset. To change the viscosity, if needed, use a standard screwdriver to turn the adjustment screw located in rear wall of each container as follows (see figure 4):

雪蓉的濃度調節: 本產品出廠時已將雪蓉的濃度調節好。若需要改變濃度時，請利用一支螺絲批，調節設於每一個膠桶背後的螺絲 (如圖 4)

- towards right (clockwise) to obtain a thicker product (the indicator F will go down in opening G).

順時針轉動，增加雪蓉 (或產品) 的濃度 (指示指標 F 會下降)

- towards left (counterclockwise) to obtain a thinner product (the indicator F will go up in opening G).

逆時針轉動，減低雪蓉 (或產品) 的濃度 (指示指標 F 會上升)

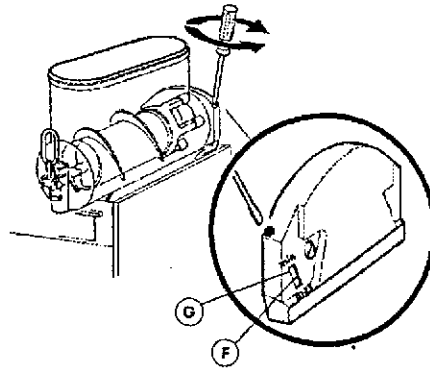


figure 4

- 5.2/II Beverage temperature adjustment; proper beverage temperature is factory preset. To reset, turn the knob located in each switch box as follows:
 果汁溫度調節:本產品出廠時已調節好果汁溫度。若需要調節,請轉動膠桶下的控制箱內溫控器(D)旋鈕
 - towards right (clockwise) to decrease temperature.
 順時針轉動,減低果汁溫度,令果汁更凍,更涼。
 - Towards left (counterclockwise) to increase temperature.
 逆時針轉動,增加果汁溫度,令果汁較暖。
- 5.2/III The length of time for freeze down of Granita is governed by many variables, such as ambient temperature, mix initial temperature, sugar content (Brix level) and viscosity setting.
 製造雪蓉的時間,是與其他外在因素有關,如環境溫度,混合液初時溫度和糖份濃度。
- 5.2/IV To shorten Granita recovery time and increase productivity, it is advisable to pre-chill the product to be used in the dispenser.
 若想縮短製造雪蓉的時間,建議先將混合液放入雪櫃冷凝。
- 5.2/V To shorten Granita recovery time and increase productivity, the bowl should be refilled after the product level drops lower than half of the evaporator cylinder and at the start of each day.
 另一個縮短製造雪蓉的方法,當雪蓉售出至一半膠桶時,立即注入混合液。
- 5.2/VI For good product conservation the dispenser must run overright, at least in Soft Drink mode. If this is not possible and product is left in the bowls overright, the mixer/refrigeration switches must be set to the 1 position at least one hour before the unit is switched off. This eliminates any block of iced product forming overnight, which could result in damage to mixers or to their motor when the unit is switched back on. In any case, before the unit is restarted, make sure that no blocks of ice have been formed; if so, they are to be removed before the unit is switched on. Overnight operation in drink mode also eliminates possible ice accumulation from condensation all around the bowl.
 若需要讓果汁或雪蓉留在膠桶內過夜或通宵,請將果汁/雪蓉掣(B)推至1位置
- 5.2/VII Mixers must not be turned off when frozen product is in the bowl: if not agitated, the product may freeze to a solid block of ice. If the mixers are turned back on in this situation, damage to the mixers and their motor may result. Therefore, mixers may be restarted only after product is melted.
 若膠桶內有雪蓉的存在,請勿把電源關上,因為雪蓉可能會凝固成冰塊或冰狀
- 5.2/VI11 The dispenser is equipped with a magnetic coupling by which the gear motor (located outside the bowl) drives the mixers (inside the bowl).
 The magnetic drive operates as an “intelligent clutch” able to automatically disconnect the mixers in case they are seized by ice or other causes. This inconvenience can be soon noticed since an intermittent dull noise warns that mixers are still. In this case it is necessary to unplug immediately the dispenser, empty the bowl and eliminate the cause of seizing.
 本產品是利用磁性原理,將馬達的轉動(膠桶外)傳至混合器(膠桶內)

5.2/IX The dispenser must be able to emit heat. In case it seems excessive, check that no heating source is close to the unit and air flow through the slotted panels is not obstructed by wall or boxes. Allow at least 15cm (6") of free clearance all around the dispenser. In any case if the product in the bowls is frozen and the pressure switch warning light is OFF the unit is running properly.

本產品由於內置壓縮機，所以會有熱量產生和釋放。

5.2/X Restrictor cap: when the unit is used in Soft Drink mode it is advisable to install the restrictor cap on the faucet outlet in order to reduce the drink outflow (see figure 5).

減流膠蓋：當冷凍果汁時，請使用此蓋和緊放在水龍頭下端，減少和穩定果汁流量。（如圖5）

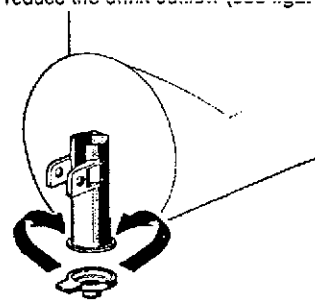


figure 5

5.3 <<CLEANING AND SANITIZING>> 清潔和消毒程序

5.3/I Cleaning and sanitizing of the dispenser are recommended to guarantee the conservation of the best product taste and the highest unit efficiency. This section is a procedural guideline only and is subject to the requirements of the local Health Authorities.

建議經常清潔和消毒本產品，以確保本產品的有效運作和製造出高質素的果汁或雪蓉。

5.3/II Prior to the disassembly and cleaning, the machine must be emptied of product. To do this proceed as follows:

- set the power switch to 1 position
- set mixer/refrigeration switch(es) to 1 position (Soft Drink mode)
- place a pail under each faucet and drain all product from bowls
- set all control switches to the 0 position.

在清潔和拆卸之前，請將膠桶內的果汁或雪蓉清除。

5.3.1 <<DISASSEMBLY>> 拆卸

Before any disassembly and/or cleaning procedure make sure that the dispenser is disconnected from its power source by unplugging it or switching off the 2 pole wall breaker.

注意

拆卸前，必需將電源取出或電掣關閉

5.3.1/I Remove cover from the bowl.

取出膠桶膠蓋

5.3.1/II <不適用於本產品>

5.3.1/III

Remove the bowl by lifting its faucet side up and off the fastening hooks (see figure 7) and slide it out (see figure 8)

拆除膠桶，請將膠桶向上提升至緊扣鉤鬆脫(如圖7)，再將膠桶向前拉(如圖8)。

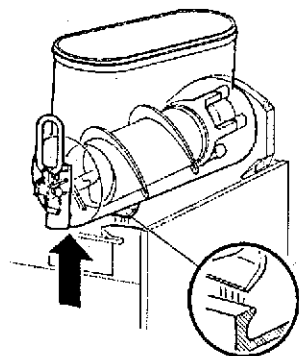


figure 7

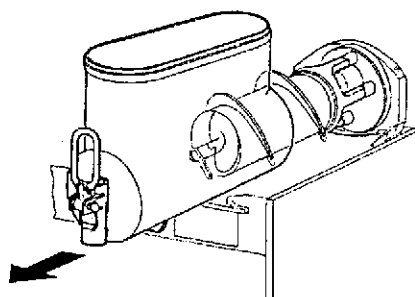


figure 8

5.3.1/IV

Slide the outer spiral out (see figure 9) and then the inside auger (see figure 10).

再取出蒸發器外的弧形混合器(如圖9)和蒸發器內混合軸(如圖10)

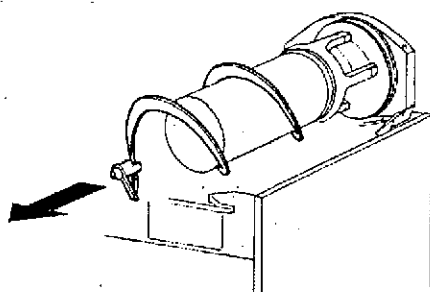


figure 9

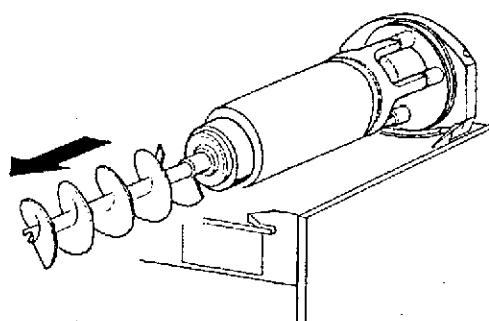


figure 10

5.3.1/V

Remove the bowl gasket from its seat (see figure 11).

再取出膠桶末端的防漏膠圈(如圖11)

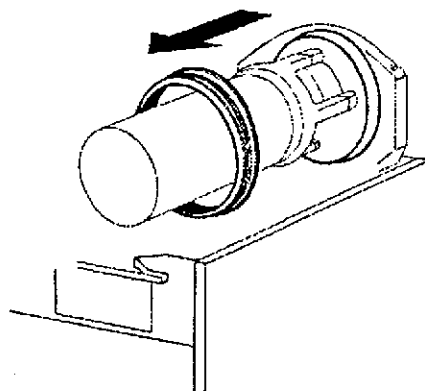


figure 11

- 5.3.1/VI Dismantle the faucet assembly (see figure 12)
分開拆卸水龍頭各配件(如圖 12)

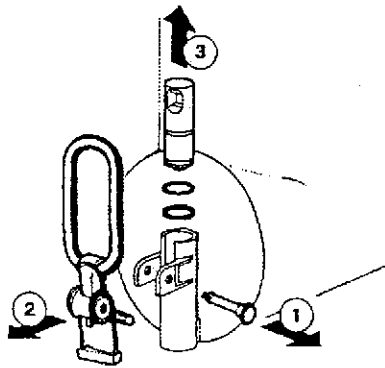


figure 12

- 5.3.1/VII Slide the drip tray out and empty it
向前拉出所有盛水盆清洗。

5.32 <<CLEANING>> 清洗和清潔

- 5.3.2/I Prepare at least two gallons of a mild cleaning solution of warm (45-60°C/120-140°F) potable water and dishwashing detergent. Do not use abrasive detergent.
用水稀釋清潔劑，利用軟布清洗各配件和膠桶等。
- 5.3.2/II Using a brush, suitable for the purpose, thoroughly clean all disassembled parts in the cleaning solution.
若需要，可以利用膠刷幫助清洗。
- 5.3.2/III Do not immerse the lighted top covers in liquid. Wash them apart with the cleaning solution. Carefully clean their undersides.
切勿將膠蓋連燈箱一起放入清潔液內。
- 5.3.2/IV In the same manner clean the evaporator cylinders using a soft bristle brush.
利用軟布同時清潔圓筒形蒸發器內外。
- 5.3.2/V Rinse all cleaned parts with cool clean water
切記利用清水沖洗各配件。

5.3.3 <<SANITIZING>> 消毒

Sanitizing should be performed immediately prior to starting the machine. Do not allow the unit to sit for extended periods of time after sanitization.

在本產品第一次使用之前，切記清洗消毒本產品，確保安全。

5.3.4 <<ASSEMBLY>> 重新組裝

1. Slide the drip tray into place
把盛水盆放回原位
2. Lubricate faucet piston, inside auger and cutter spiral (see points A,B and C of figure 13) only with the grease supplied by the manufacturer or other food grade approved lubricant.
利用隨機附上的潤滑劑，加於水龍頭，弧形混合器頂部和混合軸底部(如圖13的A，B和C各點)。此乃可食用潤滑劑，切勿與其他混合使用。

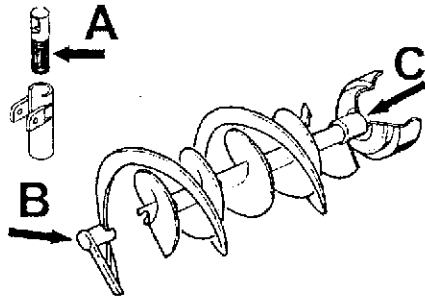


figure 13

3. Assemble the faucet by reversing the disassembly steps (see figure 12)
利用相反方向(如圖12)組裝水龍頭各配件。

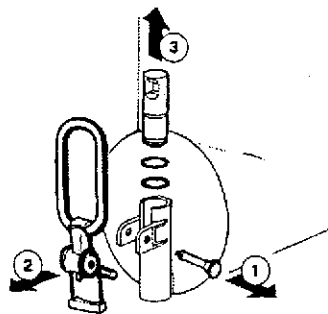


figure 12

4. Fit bowl gasket around its seat
Note: the largest brim of gasket must face against the rear wall (see figure 14)
先固定膠桶底部膠圈(如圖14)

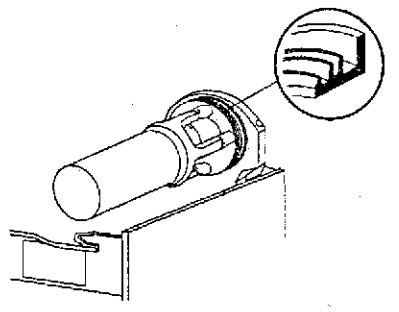


figure 14

5. Insert the auger into the evaporator taking care to accompany it to the end so as to prevent it from hitting against the rear wall (see figure 15)
將混合軸放回蒸發器內(如圖15)

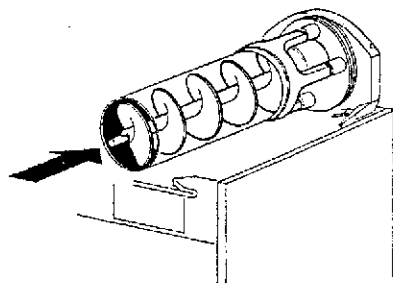


figure 15

6. Install the outer spiral. Slide it over the evaporator until its front notch engages with the exposed end of the auger shaft (see figure 16)
安放弧形混合器在蒸發器外，和轉動混合器頂部，直至頂部與混合軸緊扣(如圖16)

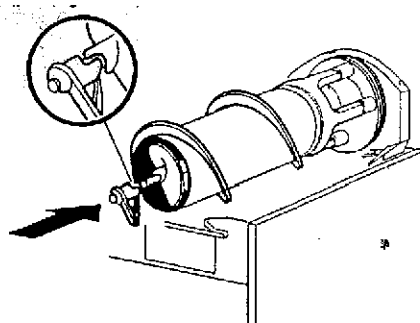


figure 16

7. Push the bowl towards the rear wall of the unit until it fits snugly around the gasket and its front fastening hooks are properly engaged (see figure 17)
將膠桶推回和扣好緊扣鉤(如圖17)

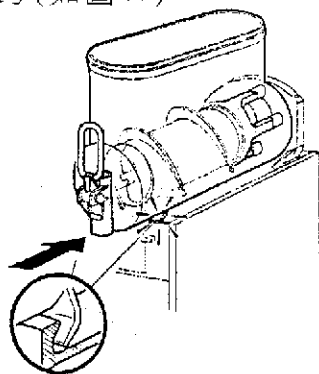


figure 17

注意

本產品的線路圖，放在雪蓉機旁邊的散熱板內。