

hatcocorp.com

Register Online!
(see page 2)

S'inscrire en ligne!
(voir page 19)

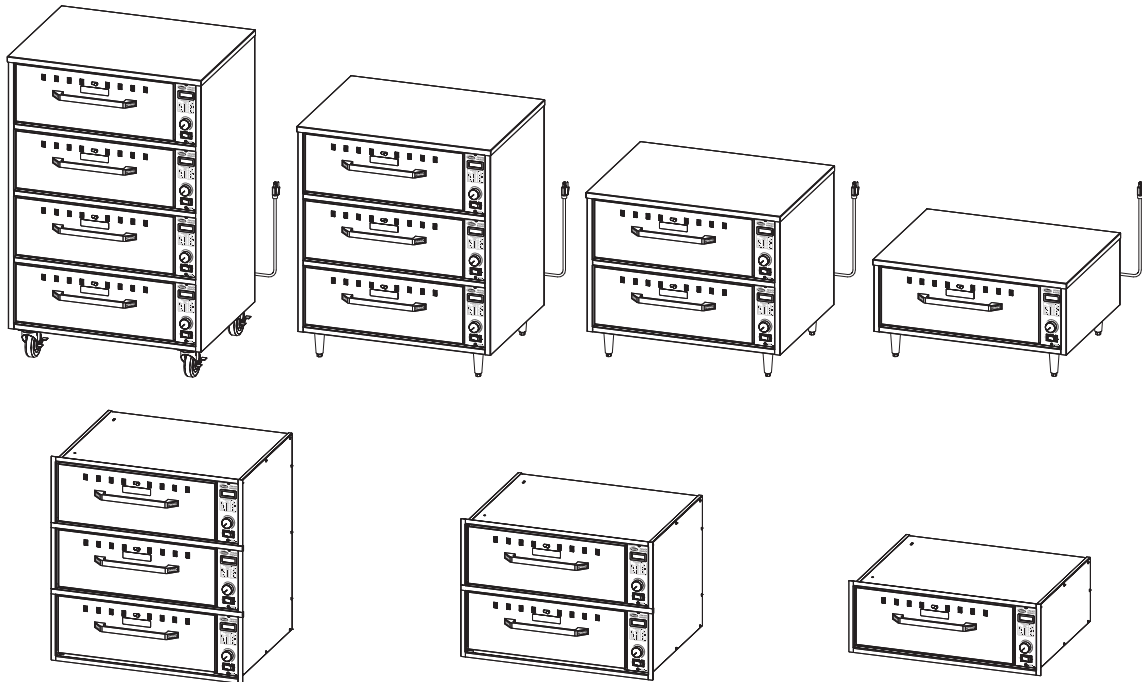


Drawer Warmers Tiroirs Chauffants

HDW and HDW-B Series/Série

Installation and Operating Manual Manuel d'installation et d'utilisation

P/N 07.04.300.00



⚠ WARNING

Do not operate this equipment unless you have read and understood the contents of this manual! Failure to follow the instructions contained in this manual may result in serious injury or death. This manual contains important safety information concerning the maintenance, use, and operation of this product. If you're unable to understand the contents of this manual, please bring it to the attention of your supervisor. Keep this manual in a safe location for future reference.

English = p 2

⚠ ADVERTENCIA

No opere este equipo al menos que haya leído y comprendido el contenido de este manual! Cualquier falla en el seguimiento de las instrucciones contenidas en este manual puede resultar en un serio lesión o muerte. Este manual contiene importante información sobre seguridad concerniente al mantenimiento, uso y operación de este producto. Si usted no puede entender el contenido de este manual por favor pregunte a su supervisor. Almacenar este manual en una localización segura para la referencia futura.

⚠ AVERTISSEMENT

Ne pas utiliser cet équipement sans avoir lu et compris le contenu de ce manuel ! Le non-respect des instructions contenues dans ce manuel peut entraîner de graves blessures ou la mort. Ce manuel contient des informations importantes concernant l'entretien, l'utilisation et le fonctionnement de ce produit. Si vous ne comprenez pas le contenu de ce manuel, veuillez le signaler à votre supérieur. Conservez ce manuel dans un endroit sûr pour pouvoir vous y référer plus tard.

Français = p 19

Important Owner Information	2	Operation	13
Introduction	2	General	13
Important Safety Information	3	Food Holding Guide	13
Model Description	4	Maintenance	14
Model Designation	4	General	14
Specifications	5	Daily Cleaning	14
Plug Configurations	5	Removing Lime and Mineral Deposits	14
Electrical Rating Charts.....	5	Troubleshooting Guide	15
Food Holding Capacity.....	8	Options and Accessories	16
Dimensions	9	Limited Warranty	18
Installation	11	Authorized Parts Distributors	Back Page
General	11		
Installing HDW-X and HDW-XN Models	11		
Installing HDW-XB, HDW-XBN, and HDW-XBR Models	12		

IMPORTANT OWNER INFORMATION

Record the model number, serial number, voltage, and purchase date of the unit in the spaces below (located on the back of the unit for free-standing units and on the inside of the right panel for built-in units). Please have this information available when calling Hatco for service assistance.

Model No. _____

Serial No. _____

Voltage _____

Date of Purchase _____

Business Hours: 7:00 AM to 5:00 PM Central Standard Time (CST)
 (Summer Hours: June to September—
 7:00 AM to 5:00 PM CST Monday–Thursday
 7:00 AM to 4:00 PM CST Friday)

Telephone: 800-558-0607; 414-671-6350

e-mail: partsandservice@hatcocorp.com

Fax: 800-690-2966 (Parts and Service)
 414-671-3976 (International)



24 Hour 7 Day Parts and Service Assistance available in the United States and Canada by calling 800-558-0607.

Additional information can be found by visiting our web site at www.hatcocorp.com.

Register your unit!

Completing online warranty registration will prevent delay in obtaining warranty coverage. Access the Hatco website at www.hatcocorp.com, select the *Parts & Service* pull-down menu, and click on "Warranty Registration".

INTRODUCTION

Hatco Drawer Warmers are designed to keep foods at optimum serving temperatures without affecting quality. They are built for tough kitchen duty with rugged stainless steel construction, heavy-duty hardware, stainless steel slides, and positive-closing drawers. Drawer Warmers keep everything from meat to vegetables to rolls hot and flavor-fresh until served.

On multiple drawer units, each drawer features individual controls for holding a wider variety of hot foods during peak serving periods.

Hatco Drawer Warmers are products of extensive research and field testing. The materials used were selected for maximum durability, attractive appearance, and optimum performance. Every unit is inspected and tested thoroughly prior to shipment.

This manual provides the installation, safety, and operating instructions for Drawer Warmers. Hatco recommends all installation, operating, and safety instructions appearing in this manual be read prior to installation or operation of the unit.

Safety information that appears in this manual is identified by the following signal word panels:



WARNING indicates a hazardous situation which, if not avoided, could result in death or serious injury.



CAUTION indicates a hazardous situation which, if not avoided, could result in minor or moderate injury.



NOTICE is used to address practices not related to personal injury.



Read the following important safety information before using this equipment to avoid serious injury or death and to avoid damage to equipment or property.

WARNING

ELECTRIC SHOCK HAZARD:

- Plug unit into a properly grounded electrical receptacle of the correct voltage, size, and plug configuration. If plug and receptacle do not match, contact a qualified electrician to determine and install proper voltage and size electrical receptacle.
- Built-in units must be installed by a qualified electrician. Installation must conform to all local electrical codes. Installation by unqualified personnel will void unit warranty and may lead to electric shock or burn, as well as damage to unit and/or its surroundings.
- Turn OFF power switch, unplug power cord/turn off power at circuit breaker, and allow unit to cool before performing any cleaning, adjustments, or maintenance.
- DO NOT submerge or saturate with water. Unit is not waterproof. Do not operate if unit has been submerged or saturated with water.
- Unit is not weatherproof. Locate unit indoors where ambient air temperature is a minimum of 70°F (21°C).
- Do not clean unit when it is energized or hot.
- Do not steam clean or use excessive water on the unit.
- This unit is not “jet-proof” construction. Do not use jet-clean spray to clean this unit.
- Do not pull unit by power cord.
- Discontinue use if power cord is frayed or worn.
- Do not attempt to repair or replace a damaged power cord. Cord must be replaced by an Authorized Hatco Service Agent or a person with similar qualifications.
- Do not allow liquids to spill into the unit.
- This unit must be serviced by qualified personnel only. Service by unqualified personnel may lead to electric shock or burn.
- Use only Genuine Hatco Replacement Parts when service is required. Failure to use Genuine Hatco Replacement Parts will void all warranties and may subject operators of the equipment to hazardous electrical voltage, resulting in electrical shock or burn. Genuine Hatco Replacement Parts are specified to operate safely in the environments in which they are used. Some aftermarket or generic replacement parts do not have the characteristics that will allow them to operate safely in Hatco equipment.

WARNING

FIRE HAZARD:

- Locate unit a minimum of 1” (25 mm) from combustible walls and materials. If safe distances are not maintained, discoloration or combustion could occur.
- Do not use harsh chemicals such as bleach (or cleaners containing bleach), oven cleaners, or flammable cleaning solutions to clean this unit.

Make sure food product has been heated to the proper food-safe temperature before placing in unit. Failure to heat food product properly may result in serious health risks. This unit is for holding preheated food product only.

Hatco Corporation is not responsible for actual food product serving temperature. It is the responsibility of the user to ensure that food product is held and served at a safe temperature.

Make sure all operators have been instructed on the safe and proper use of the unit.

This unit is not intended for use by children or persons with reduced physical, sensory, or mental capabilities. Ensure proper supervision of children and keep them away from the unit.

This unit has no “user-serviceable” parts. If service is required on this unit, contact an Authorized Hatco Service Agent or contact the Hatco Service Department at 800-558-0607 or 414-671-6350; fax 800-690-2966; or International fax 414-671-3976.

CAUTION

BURN HAZARD:

- Some exterior surfaces on unit will get hot. Use caution when touching these areas.
- Use caution when opening drawer. Hot air escapes when drawer is open.

Locate unit in an area that is convenient for use. The location should be level and strong enough to support the weight of the unit and contents.

NOTICE

Do not lay unit on the front or back side. Damage to the unit could occur.

Use non-abrasive cleaners and cloths only. Abrasive cleaners and cloths could scratch finish of unit, marring its appearance and making it susceptible to soil accumulation.

All Models

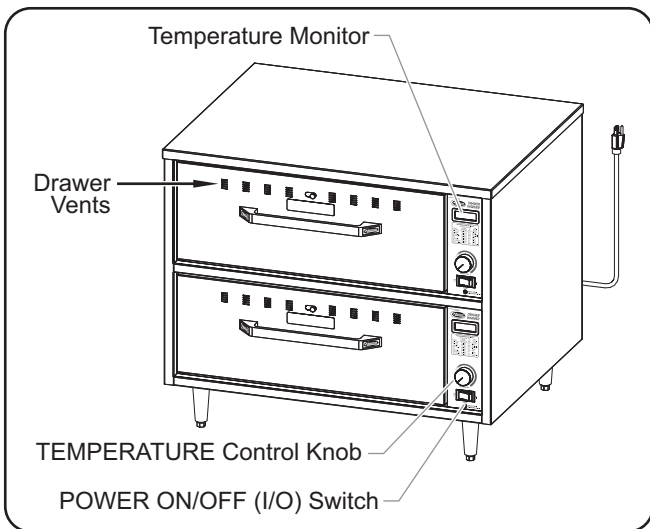
All Hatco Drawer Warmers are built of rugged aluminized and stainless steel with durable nylon rollers, 12 gauge stainless steel slides, and heavy-duty hardware. Each drawer features adjustable drawer vents for humidity control, a POWER ON/OFF (I/O) switch, TEMPERATURE control knob, and a TEMPERATURE monitor. Standard size pans 6" (152 mm) deep are supplied with each drawer. The insulated top and sides provide maximum energy efficiency and the heating elements are warranted for two years.

HDW-X Models

HDW-X Models are freestanding units available in one, two, three, and four-drawer versions. The one, two, and three-drawer units are equipped with 4" (102 mm) legs. The four-drawer unit is equipped with 6" (152 mm) stainless steel legs. Freestanding models include an attached 6' (1829 mm) power cord with plug.

HDW-XN Models

HDW-XN models have all the features of the HDW-X freestanding models but have a narrower profile for smaller space requirements. These units are available in one, two, and three-drawer versions.



Model HDW-2

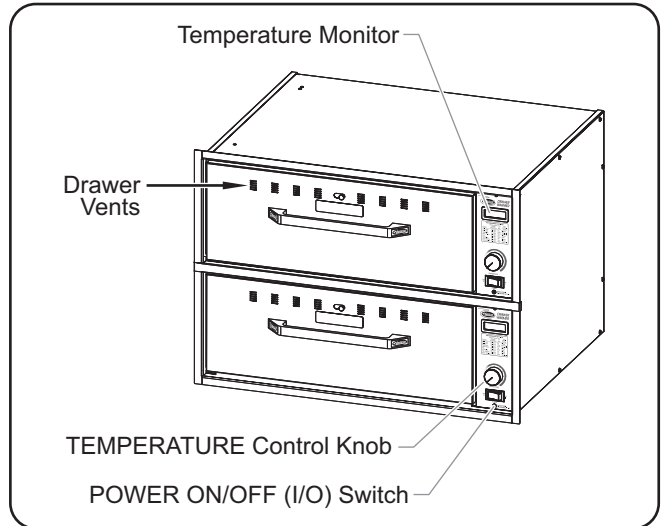
NOTE: Additional caster and leg sizes are available for the freestanding units. Refer to the OPTIONS AND ACCESSORIES section for details.

HDW-XB Models

HDW-XB Models are built-in units available in one, two, and three-drawer versions. Built-in HDW-XB models include 4' (1219 mm) of flexible conduit for direct power connection.

HDW-XBN Models

HDW-XBN Models have all the features of the HDW-XB models but have a narrower profile for smaller space requirements. These units are available in one, two, and three-drawer versions.

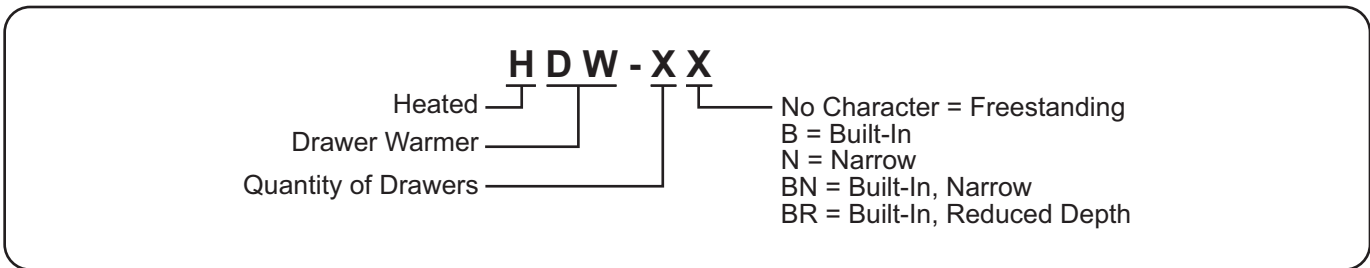


Model HDW-2B

HDW-XBR Models

HDW-XBR Models have all the features of the HDW-XB models but have a reduced depth for smaller space requirements. These units are available in one, two, three, and four-drawer versions.

MODEL DESIGNATION



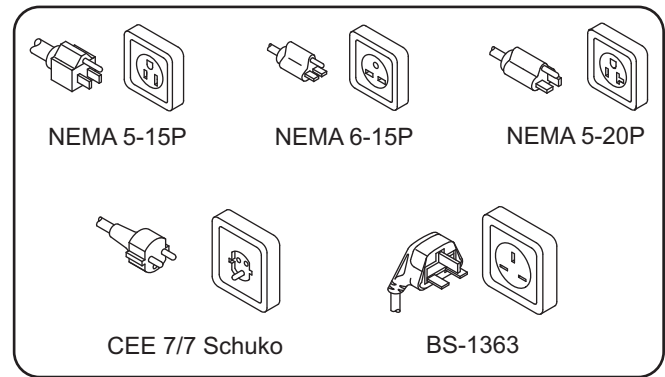
Plug Configurations

Freestanding units are supplied from the factory with an electrical cord and plug installed. Plugs are supplied according to the application.



ELECTRIC SHOCK HAZARD: Plug unit into a properly grounded electrical receptacle of the correct voltage, size, and plug configuration. If plug and receptacle do not match, contact a qualified electrician to determine and install proper voltage and size electrical receptacle.

NOTE: The specification label is located on the back of freestanding models and the inside left panel of built-in models (remove drawer to view built-in label). See label for serial number and verification of unit electrical information.



Plug Configurations

NOTE: Receptacle not supplied by Hatco.

Electrical Rating Chart — HDW-X Models

Model	Voltage	Watts	Amps	Plug Configuration	Shipping Weight
HDW-1	120	450	3.8	NEMA 5-15P	97 lbs. (44 kg)
	208	450	2.2	NEMA 6-15P	97 lbs. (44 kg)
	240	450	1.9	NEMA 6-15P	97 lbs. (44 kg)
	220	450	2.0	CEE 7/7 Schuko	97 lbs. (44 kg)
	240	450	1.9	BS-1363	97 lbs. (44 kg)
	220–230 (CE)	450–492	2.0–2.1	CEE 7/7 Schuko	97 lbs. (44 kg)
	230–240 (CE)	413–450	1.8–1.9	BS-1363	97 lbs. (44 kg)
	HDW-2	120	900	7.5	NEMA 5-15P
208		900	4.3	NEMA 6-15P	168 lbs. (76 kg)
240		900	3.8	NEMA 6-15P	168 lbs. (76 kg)
220		900	4.1	CEE 7/7 Schuko	168 lbs. (76 kg)
240		900	3.8	BS-1363	168 lbs. (76 kg)
220–230 (CE)		900–984	4.1–4.3	CEE 7/7 Schuko	168 lbs. (76 kg)
230–240 (CE)		826–900	3.6–3.8	BS-1363	168 lbs. (76 kg)
HDW-3		120	1350	11.3	NEMA 5-15P
	208	1350	6.5	NEMA 6-15P	232 lbs. (106 kg)
	240	1350	5.6	NEMA 6-15P	232 lbs. (106 kg)
	220	1350	6.1	CEE 7/7 Schuko	232 lbs. (106 kg)
	240	1350	5.6	BS-1363	232 lbs. (106 kg)
	220–230 (CE)	1350–1476	6.1–6.4	CEE 7/7 Schuko	232 lbs. (106 kg)
	230–240 (CE)	1239–1350	5.4–5.6	BS-1363	232 lbs. (106 kg)
	HDW-4	120	1800	15	NEMA 5-20P
208		1800	8.7	NEMA 6-15P	296 lbs. (135 kg)
240		1800	7.5	NEMA 6-15P	296 lbs. (135 kg)
220		1800	8.2	CEE 7/7 Schuko	296 lbs. (135 kg)
240		1800	7.5	BS-1363	296 lbs. (135 kg)
220–230 (CE)		1800–1968	8.2–8.6	CEE 7/7 Schuko	296 lbs. (135 kg)
230–240 (CE)		1653–1800	7.2–7.5	BS-1363	296 lbs. (135 kg)

The shaded areas contain electrical information for **International models only**.

NOTE: Shipping weight includes packaging.

Electrical Rating Chart — HDW-XN Models

Model	Voltage	Watts	Amps	Plug Configuration	Shipping Weight
HDW-1N	120	450	3.8	NEMA 5-15P	83 lbs. (38 kg)
	208	450	2.2	NEMA 6-15P	83 lbs. (38 kg)
	240	450	1.9	NEMA 6-15P	83 lbs. (38 kg)
	220	450	2.0	CEE 7/7 Schuko	83 lbs. (38 kg)
	240	450	1.9	BS-1363	83 lbs. (38 kg)
	220-230 (CE)	450-492	2.0-2.1	CEE 7/7 Schuko	83 lbs. (38 kg)
	230-240 (CE)	413-450	1.8-1.9	BS-1363	83 lbs. (38 kg)
HDW-2N	120	900	7.5	NEMA 5-15P	168 lbs. (76 kg)
	208	900	4.3	NEMA 6-15P	168 lbs. (76 kg)
	240	900	3.8	NEMA 6-15P	168 lbs. (76 kg)
	220	900	4.1	CEE 7/7 Schuko	168 lbs. (76 kg)
	240	900	3.8	BS-1363	168 lbs. (76 kg)
	220-230 (CE)	900-984	4.1-4.3	CEE 7/7 Schuko	168 lbs. (76 kg)
	230-240 (CE)	826-900	3.6-3.8	BS-1363	168 lbs. (76 kg)
HDW-3N	120	1350	11.3	NEMA 5-15P	232 lbs. (106 kg)
	208	1350	6.5	NEMA 6-15P	232 lbs. (106 kg)
	240	1350	5.6	NEMA 6-15P	232 lbs. (106 kg)
	220	1350	6.1	CEE 7/7 Schuko	232 lbs. (106 kg)
	240	1350	5.6	BS-1363	232 lbs. (106 kg)
	220-230 (CE)	1350-1476	6.1-6.4	CEE 7/7 Schuko	232 lbs. (106 kg)
	230-240 (CE)	1239-1350	5.4-5.6	BS-1363	232 lbs. (106 kg)

Electrical Rating Chart — HDW-XB Models

Model	Voltage	Watts	Amps	Plug Configuration	Shipping Weight
HDW-1B	120	450	3.8	Hardwired w/Conduit	88 lbs. (40 kg)
	208	450	2.2	Hardwired w/Conduit	88 lbs. (40 kg)
	240	450	1.9	Hardwired w/Conduit	88 lbs. (40 kg)
	220	450	2.0	Hardwired w/Conduit	88 lbs. (40 kg)
	240	450	1.9	Hardwired w/Conduit	88 lbs. (40 kg)
	220-230 (CE)	450-492	2.0-2.1	Hardwired w/Conduit	88 lbs. (40 kg)
	230-240 (CE)	413-450	1.8-1.9	Hardwired w/Conduit	88 lbs. (40 kg)
HDW-2B	120	900	7.5	Hardwired w/Conduit	159 lbs. (72 kg)
	208	900	4.3	Hardwired w/Conduit	159 lbs. (72 kg)
	240	900	3.8	Hardwired w/Conduit	159 lbs. (72 kg)
	220	900	4.1	Hardwired w/Conduit	159 lbs. (72 kg)
	240	900	3.8	Hardwired w/Conduit	159 lbs. (72 kg)
	220-230 (CE)	900-984	4.1-4.3	Hardwired w/Conduit	159 lbs. (72 kg)
	230-240 (CE)	826-900	3.6-3.8	Hardwired w/Conduit	159 lbs. (72 kg)
HDW-3B	120	1350	11.3	Hardwired w/Conduit	232 lbs. (105 kg)
	208	1350	6.5	Hardwired w/Conduit	232 lbs. (105 kg)
	240	1350	5.6	Hardwired w/Conduit	232 lbs. (105 kg)
	220	1350	6.1	Hardwired w/Conduit	232 lbs. (105 kg)
	240	1350	5.6	Hardwired w/Conduit	232 lbs. (105 kg)
	220-230 (CE)	1350-1476	6.1-6.4	Hardwired w/Conduit	232 lbs. (105 kg)
	230-240 (CE)	1239-1350	5.4-5.6	Hardwired w/Conduit	232 lbs. (105 kg)

Electrical Rating Chart — HDW-XBN Models

Model	Voltage	Watts	Amps	Plug Configuration	Shipping Weight
HDW-1BN	120	450	3.8	Hardwired w/Conduit	88 lbs. (40 kg)
	208	450	2.2	Hardwired w/Conduit	88 lbs. (40 kg)
	240	450	1.9	Hardwired w/Conduit	88 lbs. (40 kg)
	220	450	2.0	Hardwired w/Conduit	88 lbs. (40 kg)
	240	450	1.9	Hardwired w/Conduit	88 lbs. (40 kg)
	220–230 (CE)	450–492	2.0–2.1	Hardwired w/Conduit	88 lbs. (40 kg)
	230–240 (CE)	413–450	1.8–1.9	Hardwired w/Conduit	88 lbs. (40 kg)
HDW-2BN	120	900	7.5	Hardwired w/Conduit	159 lbs. (72 kg)
	208	900	4.3	Hardwired w/Conduit	159 lbs. (72 kg)
	240	900	3.8	Hardwired w/Conduit	159 lbs. (72 kg)
	220	900	4.1	Hardwired w/Conduit	159 lbs. (72 kg)
	240	900	3.8	Hardwired w/Conduit	159 lbs. (72 kg)
	220–230 (CE)	900–984	4.1–4.3	Hardwired w/Conduit	159 lbs. (72 kg)
	230–240 (CE)	826–900	3.6–3.8	Hardwired w/Conduit	159 lbs. (72 kg)
HDW-3BN	120	1350	11.3	Hardwired w/Conduit	223 lbs. (101 kg)
	208	1350	6.5	Hardwired w/Conduit	223 lbs. (101 kg)
	240	1350	5.6	Hardwired w/Conduit	223 lbs. (101 kg)
	220	1350	6.1	Hardwired w/Conduit	223 lbs. (101 kg)
	240	1350	5.6	Hardwired w/Conduit	223 lbs. (101 kg)
	220–230 (CE)	1350–1476	6.1–6.4	Hardwired w/Conduit	223 lbs. (101 kg)
	230–240 (CE)	1239–1350	5.4–5.6	Hardwired w/Conduit	223 lbs. (101 kg)

The shaded areas contain electrical information for **International models only**.

NOTE: Shipping weight includes packaging.

Electrical Rating Chart — HDW-XBR Models

Model	Voltage	Watts	Amps	Plug Configuration	Shipping Weight
HDW-1BR	120	450	3.8	NEMA 5-15P	80 lbs. (36 kg)
	208	450	2.2	NEMA 6-15P	80 lbs. (36 kg)
	240	450	1.9	NEMA 6-15P	80 lbs. (36 kg)
	220	450	2.0	CEE 7/7 Schuko	80 lbs. (36 kg)
	240	450	1.9	BS-1363	80 lbs. (36 kg)
	220–230 (CE)	450–492	2.0–2.1	CEE 7/7 Schuko	80 lbs. (36 kg)
	230–240 (CE)	413–450	1.8–1.9	BS-1363	80 lbs. (36 kg)
HDW-2BR	120	900	7.5	NEMA 5-15P	168 lbs. (76 kg)
	208	900	4.3	NEMA 6-15P	168 lbs. (76 kg)
	240	900	3.8	NEMA 6-15P	168 lbs. (76 kg)
	220	900	4.1	CEE 7/7 Schuko	168 lbs. (76 kg)
	240	900	3.8	BS-1363	168 lbs. (76 kg)
	220–230 (CE)	900–984	4.1–4.3	CEE 7/7 Schuko	168 lbs. (76 kg)
	230–240 (CE)	826–900	3.6–3.8	BS-1363	168 lbs. (76 kg)
HDW-3BR	120	1350	11.3	NEMA 5-15P	232 lbs. (106 kg)
	208	1350	6.5	NEMA 6-15P	232 lbs. (106 kg)
	240	1350	5.6	NEMA 6-15P	232 lbs. (106 kg)
	220	1350	6.1	CEE 7/7 Schuko	232 lbs. (106 kg)
	240	1350	5.6	BS-1363	232 lbs. (106 kg)
	220–230 (CE)	1350–1476	6.1–6.4	CEE 7/7 Schuko	232 lbs. (106 kg)
	230–240 (CE)	1239–1350	5.4–5.6	BS-1363	232 lbs. (106 kg)
HDW-4BR	120	1800	15	NEMA 5-20P	296 lbs. (135 kg)
	208	1800	8.7	NEMA 6-15P	296 lbs. (135 kg)
	240	1800	7.5	NEMA 6-15P	296 lbs. (135 kg)
	220	1800	8.2	CEE 7/7 Schuko	296 lbs. (135 kg)
	240	1800	7.5	BS-1363	296 lbs. (135 kg)
	220–230 (CE)	1800–1968	8.2–8.6	CEE 7/7 Schuko	296 lbs. (135 kg)
	230–240 (CE)	1653–1800	7.2–7.5	BS-1363	296 lbs. (135 kg)

The shaded areas contain electrical information for **International models only**.

NOTE: Shipping weight includes packaging.

Food Holding Capacity

A standard drawer has the following capacity:

- Dinner Rolls: 6–8 dozen
- Ribs: 25–30 lbs. (11–14 kg)
- Potatoes: 3–3-1/2 dozen

Dimensions — HDW-X and HDW-XN Models

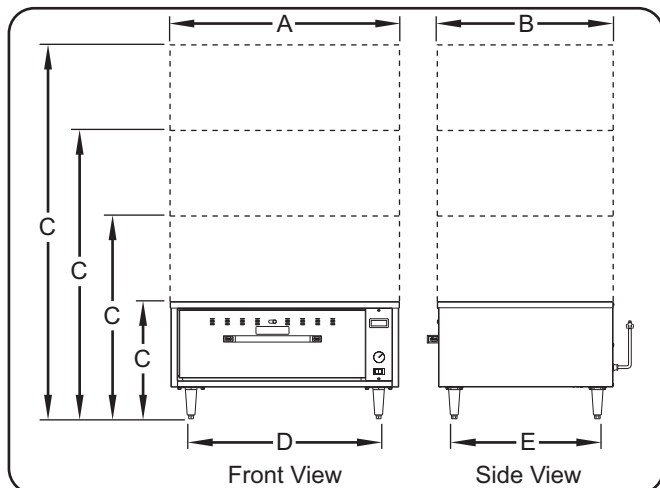
Model	Width (A)	Depth (B)	Height (C)	Footprint Width (D)	Footprint Depth (E)
HDW-1	29-1/2" (749 mm)	22-5/8" (575 mm)	15-1/16" (381 mm)	24-3/4" (629 mm)	19-1/16" (484 mm)
HDW-2	29-1/2" (749 mm)	22-5/8" (575 mm)	25-3/16" (639 mm)	24-3/4" (629 mm)	19-1/16" (484 mm)
HDW-3	29-1/2" (749 mm)	22-5/8" (575 mm)	35-1/4" (896 mm)	24-3/4" (629 mm)	19-1/16" (484 mm)
HDW-4	29-1/2" (749 mm)	22-5/8" (575 mm)	47-3/8" (1203 mm)	24-3/4" (629 mm)	19-1/16" (484 mm)
HDW-1N	20-7/8" (530 mm)	27" (686 mm)	15-1/16" (381 mm)	16-1/8" (408 mm)	23-7/16" (594 mm)
HDW-2N	20-7/8" (530 mm)	27" (686 mm)	25-3/16" (639 mm)	16-1/8" (408 mm)	23-7/16" (594 mm)
HDW-3N	20-7/8" (530 mm)	27" (686 mm)	35-1/4" (896 mm)	16-1/8" (408 mm)	23-7/16" (594 mm)

NOTE: Add 4" (102 mm) to Height (C) for units with standard 4" (102 mm) plastic legs. For additional legs and casters information, refer to the OPTIONS AND ACCESSORIES section of this manual.

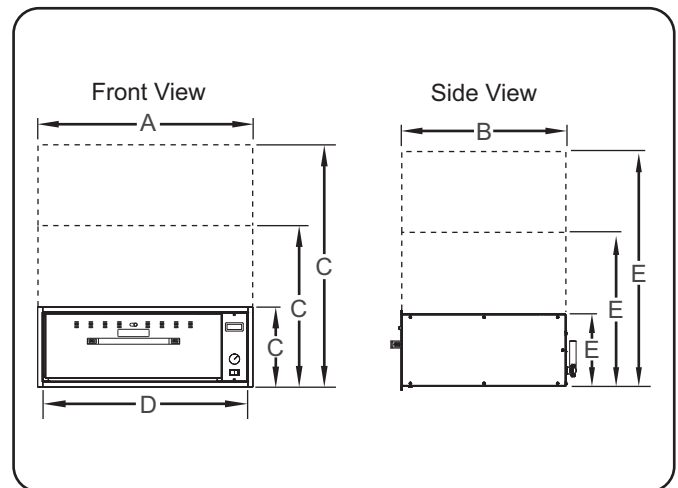
Dimensions — HDW-XB and HDW-XBN Models

Model	Width (A)	Depth (B)	Height (C)	Built-In Width (D)	Built-In Height (E)
HDW-1B	29-1/4" (743 mm)	22-3/8" (568 mm)	10-7/8" (276 mm)	28-3/16" (715 mm)	9-13/16" (248 mm)
HDW-2B	29-1/4" (743 mm)	22-3/8" (568 mm)	21" (534 mm)	28-3/16" (715 mm)	19-15/16" (506 mm)
HDW-3B	29-1/4" (743 mm)	22-3/8" (568 mm)	31-1/8" (791 mm)	28-3/16" (715 mm)	30" (763 mm)
HDW-1BN	20-9/16" (523 mm)	26-3/4" (680 mm)	10-7/8" (276 mm)	19-1/2" (494 mm)	9-13/16" (248 mm)
HDW-2BN	20-9/16" (523 mm)	26-3/4" (680 mm)	21" (534 mm)	19-1/2" (494 mm)	19-15/16" (506 mm)
HDW-3BN	20-9/16" (523 mm)	26-3/4" (680 mm)	31-1/8" (791 mm)	19-1/2" (494 mm)	30" (763 mm)

NOTE: Add 1-3/8" (35 mm) to Depth (B) for the unit depth dimension including the conduit connector.



HDW-X and HDW-XN Dimensions

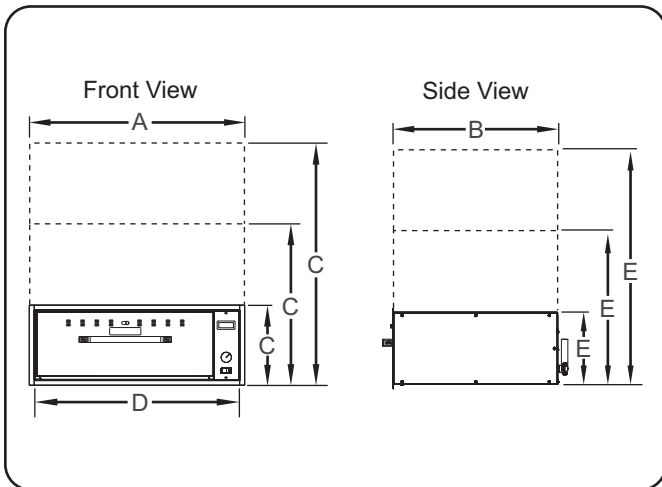


HDW-XB and HDW-XBN Dimensions

Dimensions — HDW-XBR

Model	Width (A)	Depth (B)	Height (C)	Built-In Width (D)	Built-In Height (E)
HDW-1BR	29-1/8" (740 mm)	16-1/2" (418 mm)	10-3/4" (273 mm)	28-3/16" (715 mm)	9-3/4" (248 mm)
HDW-2BR	29-1/8" (740 mm)	16-1/2" (418 mm)	21-1/2" (546 mm)	28-3/16" (715 mm)	20-1/2" (521 mm)
HDW-3BR	29-1/8" (740 mm)	16-1/2" (418 mm)	32-1/4" (819 mm)	28-3/16" (715 mm)	31-1/4" (794 mm)
HDW-3BR	29-1/8" (740 mm)	16-1/2" (418 mm)	43" (1092 mm)	28-3/16" (715 mm)	42" (1067 mm)

NOTE: Add 1-3/8" (35 mm) to Depth (B) for the unit depth dimension including the conduit connector.



HDW-XBR Dimensions

General

Hatco Drawer Warmers are shipped with most components pre-assembled. Care should be taken when unpacking the shipping carton to avoid damage to the unit and components enclosed.

WARNING

ELECTRIC SHOCK HAZARD: Unit is not weatherproof. Locate unit indoors where ambient air temperature is a minimum of 70°F (21°C).

FIRE HAZARD: Locate unit a minimum of 1" (25 mm) from combustible walls and materials. If safe distances are not maintained, combustion or discoloration could occur.

NOTICE

Do not lay unit on the front or back side. Damage to the unit could occur.

1. Remove the unit from the carton.

NOTE: To prevent delay in obtaining warranty coverage, complete online warranty registration. See the IMPORTANT OWNER INFORMATION section for details.

2. Remove tape and protective packaging from all surfaces of unit.
3. Place the unit in the desired location.
 - Locate the unit in an area where the ambient air temperature is constant and a minimum of 70°F (21°C). Avoid areas that may be subject to active air movements or currents (i.e., near exhaust fans/hoods and air conditioning ducts).
 - Make sure the unit is located on solid, level flooring or in sturdy cabinetry.
 - Make sure the unit is at the proper height in an area convenient for use.
4. Install the unit. Refer to the appropriate installation procedure in this section.

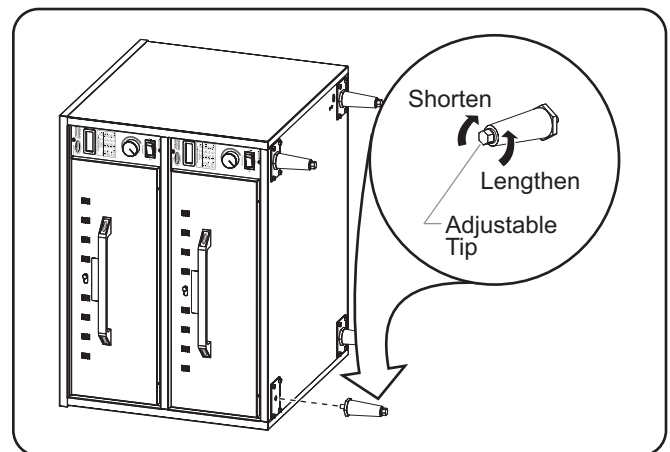
Installing HDW-X and HDW-XN Models

HDW-X and HDW-XN models are freestanding units that require the installation of 4" (102 mm) legs or casters before operation.

1. Remove the plastic bag containing the four legs or casters from the drawer of the unit.
2. Carefully lay the unit on its side (requires two people).
3. Install each leg or caster. Refer to the appropriate procedure in this section.
4. Return the unit to its upright position (requires two people). For units on legs — If the unit is not level or rocks, turn the adjustable tip of the appropriate leg to level the unit.

Installing Legs

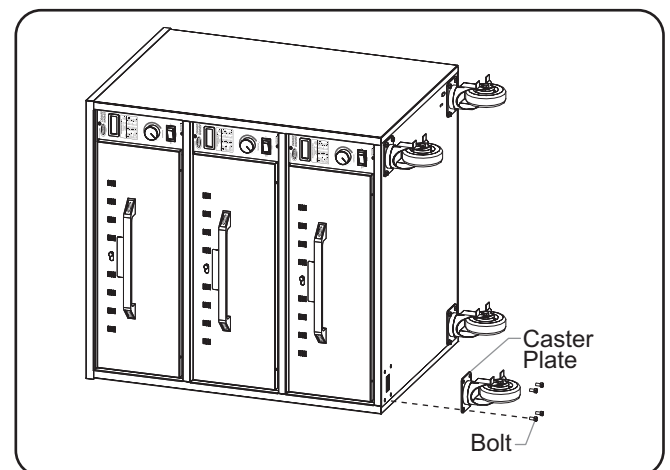
1. Thread a leg into the hole located at one corner of the unit.
2. Hand-tighten the leg until snug. Do not over-tighten.
3. Repeat steps 1 and 2 for the remaining three legs.



Leg Installation on HDW-2 Model

Installing Casters

1. Align the four holes on the caster plate with the four holes in the bottom of the unit at one corner of the unit.
2. Install a bolt through each of the holes in the caster plate and into the bottom of the unit. Tighten securely.
3. Repeat steps 1 and 2 for the remaining three casters.



Caster Installation on HDW-3 Model

Installing HDW-XB, HDW-XBN, and HDW-XBR Models

HDW-XB, HDW-XBN, and HDW-XBR models are built-in units that require installation into a cabinet before operation.



ELECTRIC SHOCK HAZARD: Built-in units must be installed by a qualified electrician. Installation must conform to all local electrical codes. Installation by unqualified personnel will void unit warranty and may lead to electric shock or burn, as well as damage to unit and/or its surroundings.

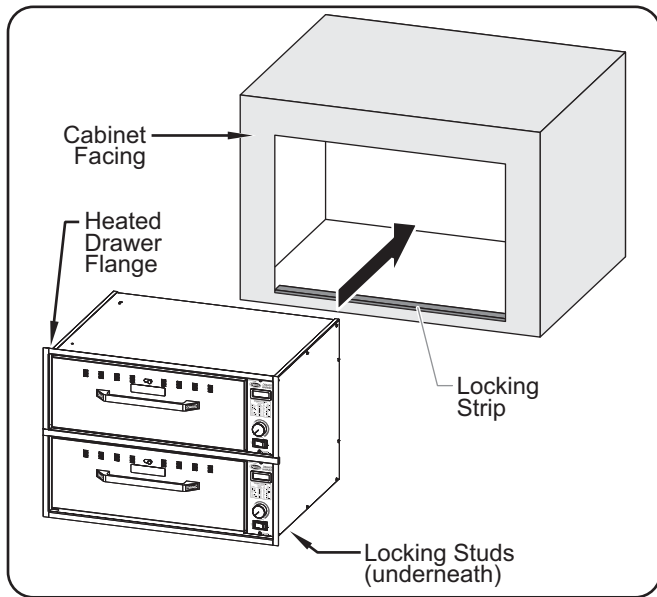
1. Cut the appropriate opening in the cabinet. Refer to the "Built-In Cutout Dimensions" chart and illustration for dimensions.

NOTE: Maintain a minimum clearance of 25 mm (1") between the cutout opening and the floor.

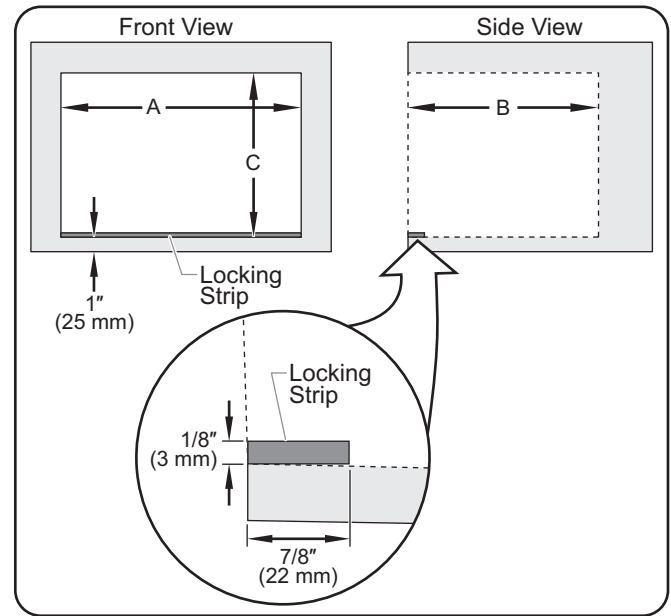
2. Fasten a locking strip (not supplied) to the lower front inside lip of the cabinet opening.
3. Make sure a properly grounded electrical supply of the correct voltage and size is installed inside the cabinet cutout. See the SPECIFICATIONS section for details.
4. Partially insert the unit into the opening, making sure the conduit is fed into the opening first.
5. Have a qualified electrician connect the unit wires from the conduit to the electrical supply inside the cabinet.
6. Before installing the unit into the opening completely, apply a bead of National Sanitation Foundation-approved sealant between the heated drawer flange and the cabinet facing.
7. Slide the unit into the opening until the front locking studs drop behind the locking strip. To verify installation, pull out the bottom drawer completely and gently pull to ensure the unit is locked in place.

Built-In Cutout Dimensions

Model	Width (A)	Depth (B)	Height (C)
HDW-1B	28-3/8" (720 mm)	24" (610 mm)	10-1/8" (257 mm)
HDW-2B	28-3/8" (720 mm)	24" (610 mm)	20-1/4" (514 mm)
HDW-3B	28-3/8" (720 mm)	24" (610 mm)	30-3/8" (771 mm)
HDW-1BN	19-3/4" (502 mm)	28-3/8" (720 mm)	10-1/8" (257 mm)
HDW-2BN	19-3/4" (502 mm)	28-3/8" (720 mm)	20-1/4" (514 mm)
HDW-3BN	19-3/4" (502 mm)	28-3/8" (720 mm)	30-3/8" (771 mm)
HDW-1BR	28-7/16" (722 mm)	18-1/8" (460 mm)	10-1/8" (257 mm)
HDW-2BR	28-7/16" (722 mm)	18-1/8" (460 mm)	20-7/8" (530 mm)
HDW-3BR	28-7/16" (722 mm)	18-1/8" (460 mm)	31-5/8" (803 mm)
HDW-4BR	28-7/16" (722 mm)	18-1/8" (460 mm)	42-3/8" (1076 mm)



Built-In Installation (HDW-2B Model shown)



Cutout and Locking Strip Dimensions

General

Use the following procedure to operate a Hatco Drawer Warmer. Each drawer can be controlled and monitored individually using the adjustable drawer vents for humidity control as well as the POWER ON/OFF (I/O) switch, TEMPERATURE control knob, and temperature gauge.



Read all safety messages in the IMPORTANT SAFETY INFORMATION section before operating this equipment.

Startup

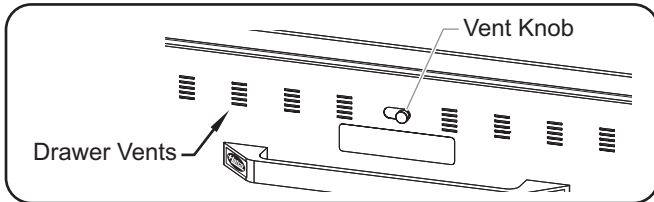
1. For freestanding units, plug the unit into a properly grounded electrical receptacle of the correct voltage, size, and plug configuration. See the SPECIFICATIONS section for details.
2. Move the POWER ON/OFF (I/O) switch(es) to the ON (I) position.
3. Turn the TEMPERATURE control knob(s) to the desired setting(s). See the RECOMMENDED SETTINGS chart on the control panel or the Food Holding Guide in this section.



Standard and approved manufacturing oils may smoke up to 30 minutes during initial startup. This is a temporary condition. Operate unit without food product until smoke dissipates.

BURN HAZARD:

- Some exterior surfaces on unit will get hot. Use caution when touching these areas.
 - Use caution when opening drawer. Hot air escapes when drawer is open.
4. Allow unit 15–20 minutes to reach operating temperature.
 5. Adjust the drawer vents for the desired humidity by sliding the vent knob on the drawer front. Move vent knob to the right to open the vents and to the left to close the vents. Opening the vents all the way allows maximum moisture to escape.



Drawer Vents

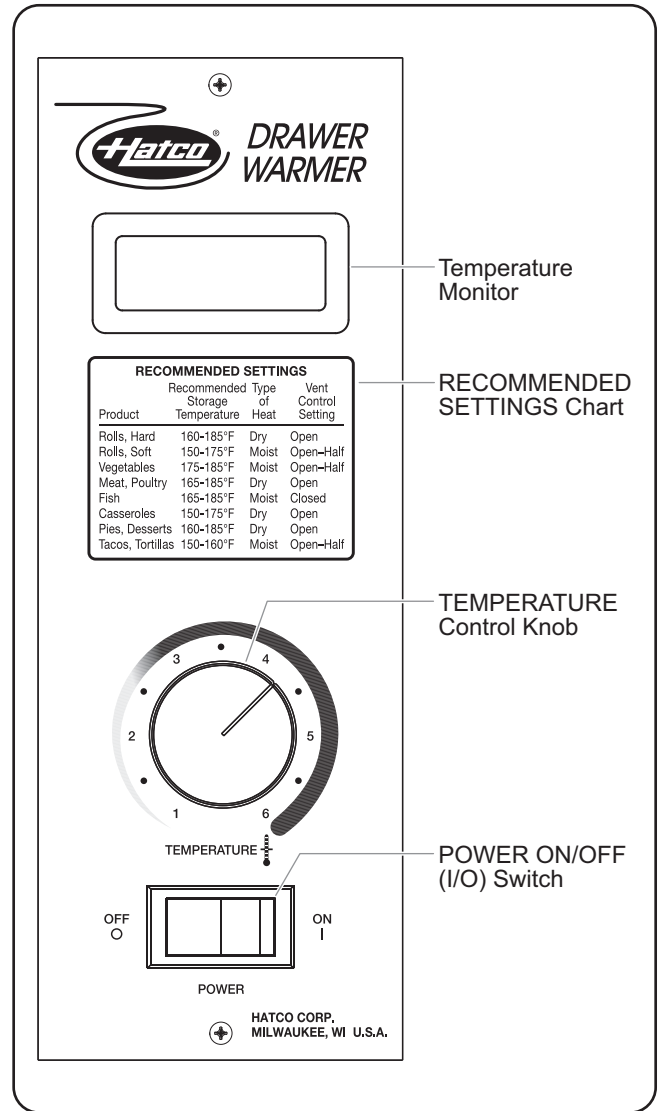
NOTE: Proper vent adjustment depends on the type and amount of food held, as well as the frequency of drawer opening.

NOTE: For additional moisture, water can be added (approximately 1/4" [6 mm] of water) to the optional water/spillage pan before inserting the food pan into the drawer. Check water level periodically. Add water as necessary. Use of splash baffle is recommended to prevent water from splashing into the cabinet interior when opening and closing a drawer. If hard water is used, the pan will require periodic cleaning and deliming. See MAINTENANCE section for deliming instructions.

NOTE: Damage caused by water is not covered under warranty.

Shutdown

1. Move the POWER ON/OFF (I/O) switch(es) to the OFF (O) position.
2. Allow the unit to cool before performing any cleaning or maintenance.



Drawer Warmer Control Panel

Food Holding Guide

Product	Recommended Storage Temperature	Type of Heat	Vent Setting
Rolls, Hard	160°–185°F (71°–85°C)	Dry	Open
Rolls, Soft	150°–175°F (66°–79°C)	Moist	Open-Half
Vegetables	175°–185°F (79°–85°C)	Moist	Open-Half
Meat, Poultry	165°–185°F (74°–85°C)	Dry	Open
Fish	165°–185°F (74°–85°C)	Moist	Closed
Casseroles	150°–175°F (66°–79°C)	Dry	Open
Pies, Desserts	160°–185°F (71°–85°C)	Dry	Open
Tacos, Tortillas	150°–160°F (66°–71°C)	Moist	Open-Half

General

Hatco Drawer Warmers are designed for maximum durability and performance with minimum maintenance.



ELECTRIC SHOCK HAZARD:

- Turn OFF power switch, unplug power cord/turn off power at circuit breaker, and allow unit to cool before performing any cleaning, adjustments, or maintenance.
- DO NOT submerge or saturate with water. Unit is not waterproof. Do not operate if unit has been submerged or saturated with water.
- Do not clean unit when it is energized or hot.
- Do not steam clean or use excessive water on unit.
- This unit is not “jet-proof” construction. Do not use jet-clean spray to clean this unit.

This unit has no “user-serviceable” parts. If service is required on this unit, contact an Authorized Hatco Service Agent or contact the Hatco Service Department at 800-558-0607 or 414-671-6350; fax 800-690-2966; or International fax 414-671-3976.

Daily Cleaning

To preserve the finish of the unit as well as maintain performance, it is recommended that the unit be cleaned daily.

1. Turn off the unit, unplug the power cord (freestanding models), and allow the unit to cool.
2. Remove and wash all food pans and accessories.

NOTICE

Use non-abrasive cleaners only. Abrasive cleaners could scratch the finish of the unit, marring its appearance and making it susceptible to soil accumulation.

3. Wipe down surfaces using a damp cloth. A non-abrasive, cream cleaner may be used for difficult stains.
 - Make sure to check and clean the interior of the unit. Food pieces may fall from the food pans into the drawer cavity. **CAUTION! Burn Hazard—Do not clean drawer cavity when unit is on!**
4. Wipe the entire unit dry using a clean, dry cloth.

Removing Lime and Mineral Deposits (models with optional water pan)

Use the following procedure for periodic cleaning and delimiting of the water pan.

NOTE: The lime and mineral content of the water used for daily operation will determine how often the delimiting procedure must be performed.

NOTE: Perform this procedure when the unit will not be used for a period of time, such as the end of the day.

1. Turn off the unit, unplug the power cord (freestanding models), and allow the unit to cool.
2. After the unit has cooled, remove and empty the water pan.
3. Fill the water pan with a mixture of 75% water and 25% white vinegar to a level where it covers the lime and mineral deposits.
4. Install the water pan with delimiting solution into the unit.
5. Plug in and turn on the unit. Allow the unit to run for 30 minutes.
6. Turn off the unit and unplug the power cord (freestanding models).
7. Allow the water pan to stand with the delimiting solution for at least two hours (the time required will vary depending on the amount of deposits in the water pan).
8. Remove the water pan and empty the delimiting solution.
9. Continue to fill and rinse the water pan with clean water until the pan is clean.
10. Install the clean water pan into the unit. Plug in the unit and fill the water pan as usual for daily operation (1/4" [6 mm] of water is recommended).

NOTE: If lime and mineral deposits are still present in the water pan, repeat this procedure and increase the amount of time the de-liming mixture stands in the water pan.

**WARNING**

This unit must be serviced by qualified personnel only. Service by unqualified personnel may lead to electric shock or burn.

**WARNING**

ELECTRIC SHOCK HAZARD: Turn OFF power switch, unplug power cord/turn off power at circuit breaker, and allow unit to cool before performing any cleaning, adjustments, or maintenance.

Symptom	Probable Cause	Corrective Action
Unit too hot.	TEMPERATURE control set too high.	Change the temperature to a lower setting.
	Unit connected to incorrect power supply.	Contact an Authorized Hatco Service Agent or Hatco for assistance.
	Internal thermostat defective.	Contact an Authorized Hatco Service Agent or Hatco for assistance.
Unit not hot enough.	Unit not allowed enough time to preheat.	Allow unit 15–20 minutes to reach operating temperature.
	Temperature control set too low.	Change the temperature to a higher setting.
	Drawer(s) not closed completely.	Make sure all drawers are closed completely.
	Internal thermostat defective.	Contact an Authorized Hatco Service Agent or Hatco for assistance.
Product too dry.	Drawer vent in open position.	Move drawer vent to closed position.
	Optional water pan empty or not installed.	Install and/or fill water pan with clean water. Control level of moisture using drawer vents.
Product too moist.	Drawer vent in closed position.	Move drawer vent to open position.
	Optional water pan installed, but not needed.	Remove water pan from drawer.
Unit not working at all.	Unit not plugged in.	Plug unit into proper power supply.
	Unit not turned on.	Move POWER ON/OFF (I/O) switch to the ON position.
	Circuit breaker tripped.	Reset circuit breaker.
	POWER ON/OFF (I/O) switch defective.	Contact an Authorized Hatco Service Agent or Hatco for assistance.
	Internal thermostat defective.	Contact an Authorized Hatco Service Agent or Hatco for assistance.
	Heating element burned out.	Contact an Authorized Hatco Service Agent or Hatco for assistance.

Troubleshooting Questions?

If you continue to have problems resolving an issue, please contact the nearest Authorized Hatco Service Agency or Hatco for assistance. To locate the nearest Service Agency, log onto the Hatco website at www.hatcocorp.com and click on *Find Service Agent*, or contact the **Hatco Parts and Service Team** at:

Telephone: 800-558-0607 or 414-671-6350

e-mail: partsandservice@hatcocorp.com

Fax: 800-690-2966 or 414-671-3976

Digital Temperature Controller

The digital temperature controller is factory installed and takes the place of the standard drawer warmer control panel. Use the following procedure to operate the digital temperature controller.

Startup

1. Move the POWER ON/OFF (I/O) switch(es) to the ON position.
 - The corresponding digital temperature controller will energize and the current temperature of the drawer or “LO” will appear on the TEMPERATURE display. “LO” indicates the drawer temperature is below 70°F (21°C).
2. Press the **SET** key three times to verify the setpoint temperature. (“SP” will be displayed after the second press.) See the RECOMMENDED SETTINGS chart on the control panel or the FOOD HOLDING GUIDE in this manual.
 - The setpoint temperature will be shown for 10 seconds. After 10 seconds, the TEMPERATURE display will revert to the current temperature of the unit. To change the setpoint temperature, refer to “Changing the Setpoint Temperature” in this section.

NOTE: The digital temperature controller is pre-set to a setpoint temperature of 185°F (85°C) at the factory. Once the setpoint temperature is changed, the new setpoint temperature will remain in memory until it is changed again. The minimum to maximum setpoint temperature range is 70°F (21°C) to 200°F (93°C).



BURN HAZARD:

- Some exterior surfaces on unit will get hot. Use caution when touching these areas.
 - Use caution when opening drawer. Hot air escapes when drawer is open.
3. Allow unit 15–20 minutes to reach operating temperature.

Shutdown

1. Move the Power ON/OFF (I/O) switch to the OFF (O) position. The digital temperature controller and heated drawer will shut off.

Changing the Setpoint Temperature

Use the following procedure to change the setpoint temperature.

1. Press the **SET** key three times. The current setpoint temperature will be shown on the TEMPERATURE display (“SP” will be displayed after the second press).
2. Press the **▲** key or **▼** key within 10 seconds to change the setpoint temperature.
3. Press the **SET** key to lock in the new setpoint temperature. The TEMPERATURE display will go blank for two seconds to show that the new setting has been accepted.

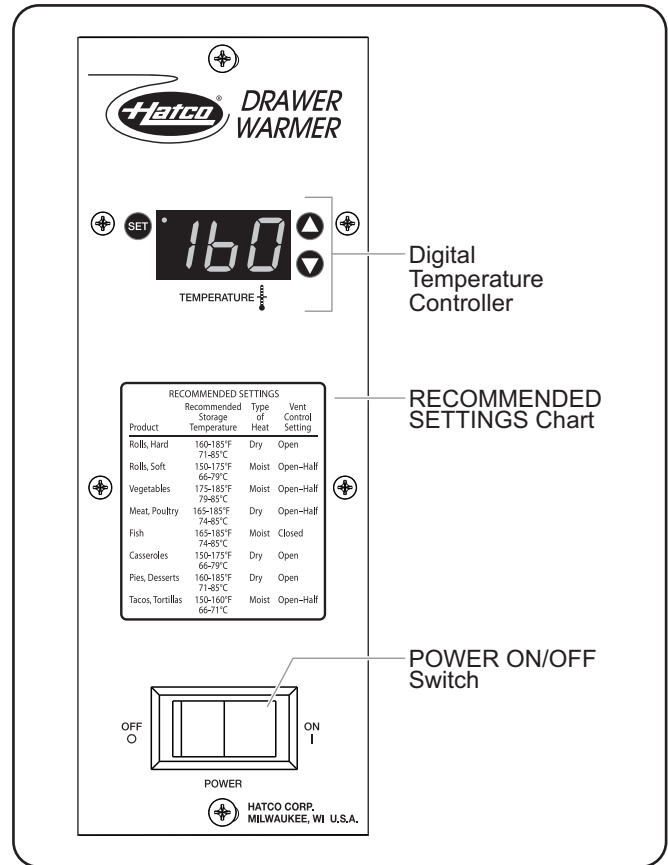
NOTE: After 10 seconds of inactivity during the programming process, the controller will exit programming mode automatically without saving any changes.

Changing Fahrenheit and Celsius Setting

Use the following procedure to change between Fahrenheit and Celsius on the display.

1. Press the **SET** key once. Either an “F” for Fahrenheit or “C” for Celsius will be displayed.
2. Press the **▲** key or **▼** key within 10 seconds to change from “F” (Fahrenheit) and “C” (Celsius).
3. Press the **SET** key three times to lock in the new setting. The TEMPERATURE display will go blank for two seconds to show that the new setting has been accepted.

NOTE: After 10 seconds of inactivity during the programming process, the controller will exit programming mode automatically without saving any changes.



Control Panel with Digital Temperature Controller

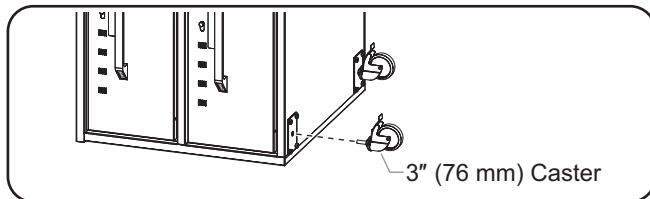
3" (76 mm) Locking Casters

3" (76 mm) locking casters are available for the one, two, and three-drawer freestanding units in place of the legs. Use the following procedure to install casters onto the bottom of the unit.

NOTICE

Do not lay unit on the front or back side or damage to the unit could occur.

1. Remove any pans from the drawers of the unit.
2. Carefully lay the unit on its left or right side (requires two people).
3. Remove the legs, if installed.
4. Install the caster into a hole where a leg was removed. Tighten securely.



Installing 3" Casters

5. Repeat steps 3 and 4 for the remaining three casters.
6. Return the unit to the upright position (requires two people).

2" (51 mm) Locking Casters

2" (51 mm) diameter locking casters are available for one, two, and three drawer freestanding units.

4" (102 mm) Locking Casters

4" (102 mm) diameter locking casters are available for one, two, three, and four drawer freestanding units.

5" (127 mm) Locking Casters

5" (127 mm) diameter locking casters are available for one, two, three, and four drawer freestanding units.

6" (152 mm) Adjustable Legs

6" (152 mm) stainless steel adjustable legs are available for one, two, three, and four drawer freestanding units.

Oversized Drawer

An oversized drawer and pan is available as a factory installed option. The pan measures 20"W x 15"D x 5"H (508 x 381 x 127 mm).

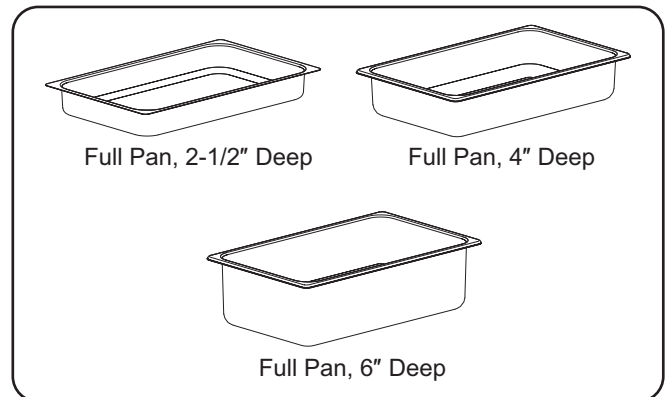
Biscuit Drawer

A biscuit drawer is available as a factory installed option. Biscuit drawers accommodate two 18"W x 13"D (457 x 330 mm) half-size sheet pans (pans not included).

Food Pans

Accessory stainless steel food pans are available in various sizes.

- ALUM PAN**Half-size sheet pan at 18"W x 13"D (457 x 330 mm)
- ST PAN 2**.....Full size stainless steel pan at 2-1/2" (64 mm) deep — 12-3/4"W x 20-3/4"D x 2-1/2"H (324 x 527 x 64 mm)
- ST PAN 4**.....Full size stainless steel pan at 4" (102 mm) deep — 12-3/4"W x 20-3/4"D x 4"H (324 x 527 x 102 mm)
- ST PAN 1/2 x 6"**Half size stainless steel pan at 6" (152 mm) deep — 12-3/4"W x 10-3/8"D x 6"H (324 x 264 x 152 mm)
- HDW 6" PAN**.....Full size stainless steel pan at 6" (152 mm) deep — 12-3/4"W x 20-3/4"D x 6"H (324 x 527 x 152 mm)



Stainless Steel Food Pans

Water/Spillage Pan

The water/spillage pan fits in the drawer underneath the food pan and can be used to humidify the heating area or keep spillage from the cabinet interior. A Splash baffle is recommended for use with a water/spillage pan.

Splash Baffle

The splash baffle is used with the optional water/spillage pan. Fabricated of stainless steel, the baffle fits into the bottom of the water/spillage pan, over the water bath. The splash baffle prevents water from splashing into the cabinet interior when opening and closing a drawer, while allowing humidity to escape.

Chip Guard

The chip guard completely shields the heating element, preventing any food product, such as tortilla chips, from coming in contact with the heating element.

Trivet

A trivet (HDW-TRIVET) raises food product 1/2" (51 mm) off the bottom of a full size food pan.

1. PRODUCT WARRANTY

Hatco warrants the products that it manufactures (the "Products") to be free from defects in materials and workmanship, under normal use and service, for a period of one (1) year from the date of purchase when installed and maintained in accordance with Hatco's written instructions or 18 months from the date of shipment from Hatco. Buyer must establish the Product's purchase date by registering the Product with Hatco or by other means satisfactory to Hatco in its sole discretion.

Hatco warrants the following Product components to be free from defects in materials and workmanship from the date of purchase (subject to the foregoing conditions) for the period(s) of time and on the conditions listed below:

a) One (1) Year Parts and Labor PLUS One (1) Additional Year Parts-Only Warranty:

- Conveyor Toaster Elements (metal sheathed)
- Drawer Warmer Elements (metal sheathed)
- Drawer Warmer Drawer Rollers and Slides
- Strip Heater Elements (metal sheathed)
- Display Warmer Elements (metal sheathed air heating)
- Holding Cabinet Elements (metal sheathed air heating)
- Heated Well Elements — HW and HWB Series (metal sheathed)

b) One (1) Year Parts and Labor PLUS Four (4) Years Parts-Only Warranty:

- 3CS and FR Tanks

c) One (1) Year Parts and Labor PLUS Nine (9) Years Parts-Only Warranty on:

- Electric Booster Heater Tanks
- Gas Booster Heater Tanks

d) Ninety (90) Day Parts-Only Warranty:

- Replacement Parts

THE FOREGOING WARRANTIES ARE EXCLUSIVE AND IN LIEU OF ANY OTHER WARRANTY, EXPRESSED OR IMPLIED, INCLUDING BUT NOT LIMITED TO ANY IMPLIED WARRANTY OF MERCHANTABILITY OR FITNESS FOR A PARTICULAR PURPOSE OR PATENT OR OTHER INTELLECTUAL PROPERTY RIGHT INFRINGEMENT. Without limiting the generality of the foregoing, SUCH WARRANTIES DO NOT COVER: Coated incandescent light bulbs, fluorescent lights, heat lamp bulbs, coated halogen light bulbs, halogen heat lamp bulbs, xenon light bulbs, LED light tubes, glass components, and fuses; Product failure in booster tank, fin tube heat exchanger, or other water heating equipment caused by liming, sediment buildup, chemical attack, or freezing; or Product misuse, tampering or misapplication, improper installation, or application of improper voltage.

2. LIMITATION OF REMEDIES AND DAMAGES

Hatco's liability and Buyer's exclusive remedy hereunder will be limited solely, at Hatco's option, to repair or replacement using new or refurbished parts or Product by Hatco or a Hatco-authorized service agency (other than where Buyer is located outside of the United States, Canada, United Kingdom, or Australia, in which case Hatco's liability and Buyer's exclusive remedy hereunder will be limited solely to replacement of part under warranty) with respect to any claim made within the applicable warranty period referred to above. Hatco reserves the right to accept or reject any such claim in whole or in part. In the context of this Limited Warranty, "refurbished" means a part or Product that has been returned to its original specifications by Hatco or a Hatco-authorized service agency. Hatco will not accept the return of any Product without prior written approval from Hatco, and all such approved returns shall be made at Buyer's sole expense. HATCO WILL NOT BE LIABLE, UNDER ANY CIRCUMSTANCES, FOR CONSEQUENTIAL OR INCIDENTAL DAMAGES, INCLUDING BUT NOT LIMITED TO LABOR COSTS OR LOST PROFITS RESULTING FROM THE USE OF OR INABILITY TO USE THE PRODUCTS OR FROM THE PRODUCTS BEING INCORPORATED IN OR BECOMING A COMPONENT OF ANY OTHER PRODUCT OR GOODS.

Informations Importantes pour le Propriétaire	19	Mode d'emploi	30
Introduction	19	Généralités	30
Consignes de Sécurité Importantes	20	Guide de maintien au chaud des aliments.....	30
Description du Modèle	21	Maintenance	31
Désignation du Modèle	21	Généralités	31
Caractéristiques Techniques	22	Nettoyage quotidien	31
Configuration des Fiches	22	Retrait du Tartre et des Dépôts Minéraux.....	31
Tableau des Caractéristiques électriques	22	Guide de Dépannage	32
Capacité de maintien au chaud des aliments	25	Options et Accessoires	33
Dimensions	26	Garantie Limitée	35
Installation	28	Autorisés Distributeurs de Pièces	Couverture Arrière
Généralités	28		
Installation des modèles HDW-X et HDW-XN	28		
Installation des modèles intégrés.....	29		

INFORMATIONS IMPORTANTES POUR LE PROPRIÉTAIRE

Noter le numéro de modèle, le numéro de série (à l'arrière des modèles indépendants et à l'intérieur du panneau gauche dans les modèles encastrés), le voltage et la date d'achat de votre appareil ci-dessous. Veuillez avoir cette information à portée de la main si vous appelez Hatco pour assistance.

Modèle No. _____

Numéro de série _____

Voltage _____

Date d'achat _____

Enregistrez votre appareil!

Remplissez la garantie en ligne pour éviter les retards pour faire jouer la garantie. Accédez au site Web Hatco www.hatcocorp.com, sélectionnez le menu déroulant Parts & Service, puis cliquez sur Warranty Registration.

Horaires

ouvrables: 7h00 à 17h00
Heure du Centre des États-Unis (CST)
(Horaires d'été : juin à septembre—
7h00 à 17h00 CST du lundi au jeudi
7h00 à 16h00 CST le vendredi)

Téléphone : 800-558-0607; 414-671-6350

Courriel : partsandservice@hatcocorp.com

Télécopieur : 800-690-2966 (Pièces et Service après-vente)
414-671-3976 (International)



Service d'assistance et de pièces de rechange disponible 7j/7, 24h/24 aux États-Unis et au Canada en composant le 800-558-0607.

Des renseignements supplémentaires sont disponibles sur notre site Web à www.hatcocorp.com.

INTRODUCTION

Les tiroirs chauffants de Hatco permettent de garder les aliments à la température optimale de service sans compromettre la qualité. Ils sont conçus pour les cuisines très actives, en inox robuste, avec de la visserie solide, des glissières inox et des tiroirs à fermeture positive. Les tiroirs chauffants gardent au chaud tout ce qui va de la viande aux légumes en passant par les petits pains, sans perte de goût jusqu'à ce qu'ils soient servis.

Sur des appareils à tiroirs multiples, chaque tiroir comporte des commandes individuelles pour contenir une plus grande variété d'aliments chauds pendant les périodes de service de crête.

Les tiroirs chauffants de Hatco sont le fruit de recherches poussées et d'essais sur site complets. Les matériaux utilisés ont été sélectionnés pour un maximum de durabilité, une belle apparence et une performance optimale. Chaque appareil est minutieusement inspecté et testé avant expédition.

Ce manuel fournit les instructions d'installation, les consignes de sécurité et le mode d'emploi des tiroirs chauffants. Hatco vous recommande de lire l'ensemble des instructions d'installation et d'utilisation et toutes les consignes de sécurité dans ce manuel avant d'installer et d'utiliser l'appareil.

Les consignes de sécurité qui apparaissent dans ce manuel sont identifiées par les mots indicateurs suivants :

AVERTISSEMENT

AVERTISSEMENT indique une situation dangereuse qui, si elle n'est pas évitée, peut provoquer la mort ou des blessures graves.

ATTENTION

ATTENTION indique une situation dangereuse qui, si elle n'est pas évitée, peut provoquer des blessures légères ou moyennes.

AVIS

AVIS est utilisé pour des questions sans rapport avec des blessures corporelles.



Lisez l'information de sécurité importante suivante avant d'utiliser cet équipement pour éviter des dommages ou la mort sérieux et pour éviter d'endommager l'équipement ou la propriété.

⚠ AVERTISSEMENT

DANGER DE DÉCHARGE ÉLECTRIQUE :

- Brancher l'appareil sur une prise de courant avec terre de tension, de format et de configuration des broches corrects. Si la fiche et la prise ne se correspondent pas, s'adresser à un électricien qualifié pour déterminer et installer une prise de courant de format et de tension corrects.
- Les appareils intégrés doivent être installés par un électricien qualifié. L'installation doit être conforme à tous les codes électriques locaux. Une installation effectuée par du personnel non qualifié annulera la garantie de l'unité et peut entraîner des chocs électriques ou des brûlures, ainsi que des dommages sur l'appareil et/ou son voisinage.
- Éteignez l'appareil, débranchez le cordon d'alimentation/coupez l'alimentation au niveau du coupe-circuit et laissez refroidir avant une maintenance ou un nettoyage.
- NE PAS immerger l'appareil ni le saturer d'eau. L'appareil n'est pas étanche à l'eau. Ne pas le faire fonctionner s'il a été immergé ou saturé d'eau.
- L'appareil n'est pas à l'épreuve des intempéries. Placer l'appareil à l'intérieur à une température ambiante de 21°C (70°F) minimum.
- Ne pas nettoyer l'appareil lorsqu'il est sous tension ou chaud.
- Ne pas nettoyer à la vapeur ni utiliser trop d'eau sur l'appareil.
- Cet appareil n'est pas étanche aux jets. Ne pas utiliser de jet sous pression pour nettoyer l'appareil.
- Ne pas tirer l'appareil par son cordon électrique.
- Ne pas utiliser l'appareil si le cordon est endommagé ou usé.
- Ne pas tenter de réparer ni de changer un cordon électrique endommagé. Ce cordon doit être changé par Hatco, par un réparateur Hatco agréé ou par une personnes de qualifications comparables.
- Ne pas renverser de liquide dans l'appareil.
- La réparation de cet appareil doit être confiée exclusivement à du personnel qualifié. Les réparations par des personnes non qualifiées peuvent provoquer des décharges électriques et des brûlures.
- Pour les réparations, utiliser exclusivement des pièces de rechange Hatco d'origine. Utilisez des pièces détachées Hatco authentiques sous peine d'annuler toutes les garanties et d'exposer l'utilisateur à des tensions électriques dangereuses pouvant entraîner une électrocution ou des brûlures. Les pièces de rechange Hatco d'origine sont conçues pour fonctionner sans danger dans les environnements dans lesquels elles sont utilisées. Certaines pièces de rechange génériques ou de second marché ne présentent pas les caractéristiques leur permettant de fonctionner sans danger dans la matériel Hatco.

⚠ AVERTISSEMENT

DANGER D'INCENDIE :

- Placer l'appareil à un minimum de 25 mm (1") des parois et matières combustibles. Si une distance sûre n'est pas maintenue, la chaleur peut provoquer une combustion ou une altération de couleur.
- N'utilisez pas de produits chimiques puissants tels que de l'eau de Javel (ou des nettoyeurs contenant de l'eau de Javel), des nettoyeurs pour four ou des solutions nettoyantes inflammables pour nettoyer cet appareil.

S'assurer que le produit alimentaire a été chauffé à une température adaptée au maintien de sa salubrité avant de le mettre sur l'appareil sous peine de risques graves pour la santé. Cet appareil est destiné au maintien de produits alimentaires préchauffés uniquement.

Assurez-vous que tous les opérateurs ont été formés à l'utilisation sûre et correcte de l'appareil.

Cet appareil ne doit pas être utilisé par des enfants ou des personnes avec des capacités physiques, sensorielles ou mentales diminuées. Assurez-vous que les enfants sont bien surveillés et tenez-les à l'écart de l'appareil.

Cet appareil ne contient aucune pièce réparable par l'utilisateur. Si cet appareil doit être réparé, contacter un réparateur Hatco agréé ou le Service après-vente Hatco au 800-558-0607 ou 414-671-6350 ; télécopieur 800-690-2966; télécopieur internationale 414-671-3976.

⚠ ATTENTION

DANGER DE BRÛLURE :

- Certaines surfaces extérieures de l'appareil deviennent chaudes. Toucher ces zones de l'appareil avec précaution.
- Faites attention en ouvrant le tiroir. De l'air chaud s'en échappera.

Placer l'appareil sur un plan de travail de hauteur correcte à un endroit qui convient pour son utilisation. Le support doit être de niveau pour éviter toute chute accidentelle du grille-pain ou de son contenu et suffisamment solide pour résister au poids de l'appareil et de son contenu.

AVIS

Ne posez pas l'appareil sur l'avant ou sur l'arrière sous peine de l'endommager.

Utilisez uniquement des nettoyeurs non abrasifs et des chiffons doux. Les chiffons et nettoyeur abrasifs pourraient rayer la finition de l'unité, altérant son apparence et la rendant vulnérable à l'accumulation de saleté.

Tous les Modèles

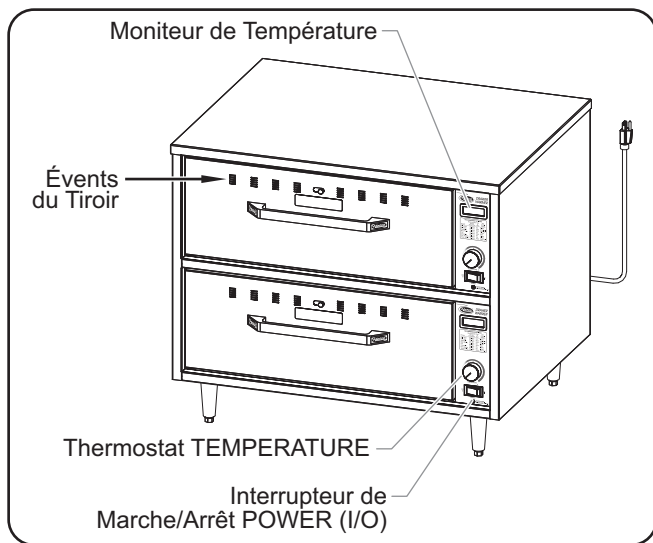
Tous les tiroirs chauffants Hatco sont de construction solide avec des galets en nylon durables, des glissières inox calibre 12 et une visserie ultra-robuste. Chaque tiroir a des glissières à évent réglables pour réguler l'humidité, un interrupteur de marche/arrêt (I/O), et un moniteur de température. Des plaques de taille standard de 152 mm de profondeur sont fournies avec chaque tiroir. Le dessus et les côtés isolés offrent un rendement énergétique maximum et les éléments chauffants sont garantis pendant deux ans. Tous les modèles série HDW comprennent un cordon d'alimentation attaché de 1829 mm avec fiche.

Modèles HDW-X

Les modèles HDW-X sont des appareils amovibles disponibles en versions à un, deux, trois et quatre tiroirs. Les appareils à un, deux et trois tiroirs sont équipés de pieds de 102 mm (4"). L'appareil à quatre tiroirs est équipé de pieds de 152 mm (6") en acier inoxydable. Les modèles amovibles de la série HDW-X comprennent un cordon d'alimentation attaché de 1829 mm (6') avec fiche.

Modèles HDW-XN

Les modèles HDW-XN possèdent toutes les fonctions des modèles HDW-X amovibles, mais leur profil est plus étroit pour des besoins en espace plus compacts. Ces appareils sont disponibles en versions à un, deux et trois tiroirs.



Modèle HDW-2

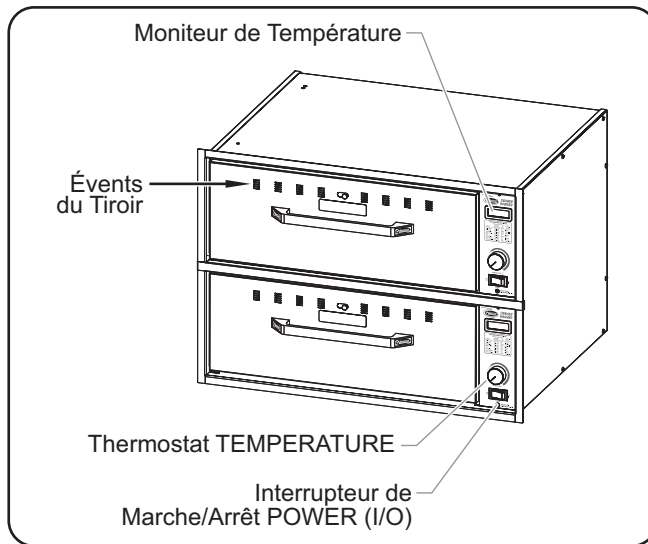
NOTA: Pour des informations supplémentaires sur les pieds ou les roulettes, référez-vous à la section OPTIONS ET ACCESSOIRES dans ce manuel.

Modèles HDW-XB

Les modèles HDW-XB sont des appareils encastrés disponibles en versions à un, deux et trois tiroirs.

Modèles HDW-XBN

Les modèles HDW-XBN possèdent toutes les fonctions des modèles HDW-XB, mais leur profil est plus étroit pour des besoins en espace plus compacts. Ces appareils sont disponibles en versions à un, deux et trois tiroirs.

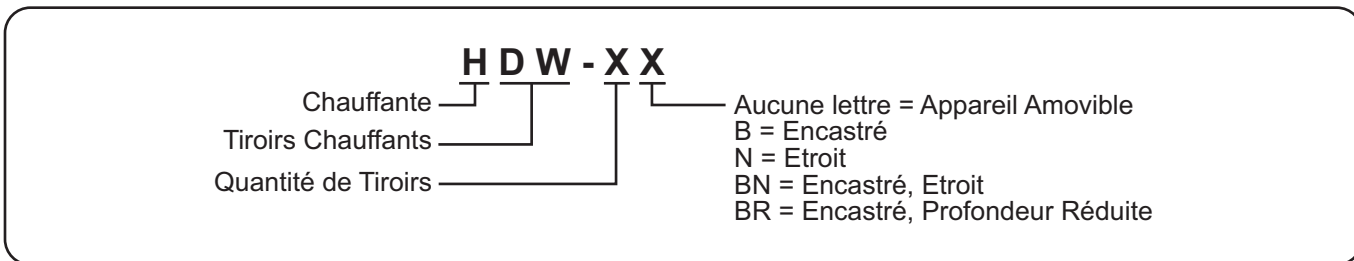


Modèle HDW-2B

Modèles HDW-XBR

Les modèles HDW-XBR présentent toutes les caractéristiques des modèles HDW-XB, mais ils sont moins profonds pour une installation dans des espaces plus restreints. Ces appareils sont disponibles avec un, deux, trois, ou quatre tiroirs.

DÉSIGNATION DU MODÈLE



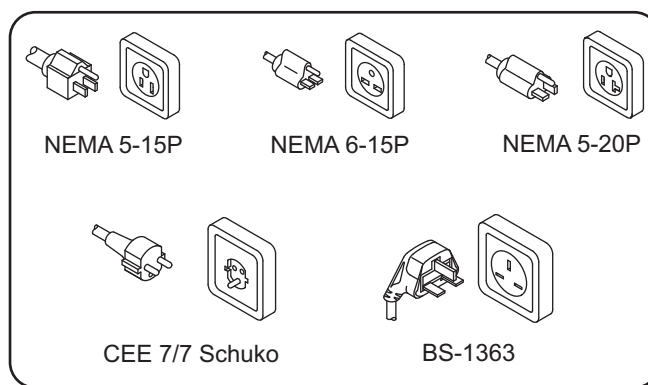
Configuration des fiches

Les appareils amovibles sortent de l'usine avec un cordon électrique et une fiche installée. Les fiches sont fournies en fonction de l'application.

⚠ AVERTISSEMENT

DANGER DE DÉCHARGE ÉLECTRIQUE : Brancher l'appareil sur une prise de courant avec terre de tension, de format et de configuration des broches corrects. Si la fiche et la prise ne se correspondent pas, s'adresser à un électricien qualifié pour déterminer et installer une prise de courant de format et de tension corrects.

NOTA: L'étiquette des caractéristiques techniques se trouve à l'arrière des modèles indépendants et à l'intérieur du panneau gauche dans les modèles encastrés. Reportez-vous à l'étiquette du numéro de série et les données électriques de l'appareil.



Configuration des fiches

NOTA: Prise non fournie par Hatco.

Tableau des Caractéristiques électriques — Modèles HDW-X

Modèle	Tension	Intensité	Amps	Configuration de Fiches	Poids d'embarquement
HDW-1	120	450	3.8	NEMA 5-15P	44 kg (97 lbs.)
	208	450	2.2	NEMA 6-15P	44 kg (97 lbs.)
	240	450	1.9	NEMA 6-15P	44 kg (97 lbs.)
	220	450	2.0	CEE 7/7 Schuko	44 kg (97 lbs.)
	240	450	1.9	BS-1363	44 kg (97 lbs.)
	220–230 (CE)	450–492	2.0–2.1	CEE 7/7 Schuko	44 kg (97 lbs.)
	230–240 (CE)	413–450	1.8–1.9	BS-1363	44 kg (97 lbs.)
HDW-2	120	900	7.5	NEMA 5-15P	76 kg (168 lbs.)
	208	900	4.3	NEMA 6-15P	76 kg (168 lbs.)
	240	900	3.8	NEMA 6-15P	76 kg (168 lbs.)
	220	900	4.1	CEE 7/7 Schuko	76 kg (168 lbs.)
	240	900	3.8	BS-1363	76 kg (168 lbs.)
	220–230 (CE)	900–984	4.1–4.3	CEE 7/7 Schuko	76 kg (168 lbs.)
	230–240 (CE)	826–900	3.6–3.8	BS-1363	76 kg (168 lbs.)
HDW-3	120	1350	11.3	NEMA 5-15P	105 kg (232 lbs.)
	208	1350	6.5	NEMA 6-15P	105 kg (232 lbs.)
	240	1350	5.6	NEMA 6-15P	105 kg (232 lbs.)
	220	1350	6.1	CEE 7/7 Schuko	105 kg (232 lbs.)
	240	1350	5.6	BS-1363	105 kg (232 lbs.)
	220–230 (CE)	1350–1476	6.1–6.4	CEE 7/7 Schuko	105 kg (232 lbs.)
	230–240 (CE)	1239–1350	5.4–5.6	BS-1363	105 kg (232 lbs.)
HDW-4	120	1800	15	NEMA 5-15P	134 kg (296 lbs.)
	208	1800	8.7	NEMA 6-15P	134 kg (296 lbs.)
	240	1800	7.5	NEMA 6-15P	134 kg (296 lbs.)
	220	1800	8.2	CEE 7/7 Schuko	134 kg (296 lbs.)
	240	1800	7.5	BS-1363	134 kg (296 lbs.)
	220–230 (CE)	1800–1968	8.2–8.6	CEE 7/7 Schuko	134 kg (296 lbs.)
	230–240 (CE)	1653–1800	7.2–7.5	BS-1363	134 kg (296 lbs.)

Les informations électriques grisées dans le tableau désignent les modèles destinés à internationaux uniquement.

NOTA: Le poids d'embarquement comprend l'emballage.

Tableau des Caractéristiques électriques — Modèles HDW-XN

Modèle	Tension	Intensité	Amps	Configuration de Fiches	Poids d'embarquement
HDW-1N	120	450	3.8	NEMA 5-15P	38 kg (83 lbs.)
	208	450	2.2	NEMA 6-15P	38 kg (83 lbs.)
	240	450	1.9	NEMA 6-15P	38 kg (83 lbs.)
	220	450	2.0	CEE 7/7 Schuko	38 kg (83 lbs.)
	240	450	1.9	BS-1363	38 kg (83 lbs.)
	220-230 (CE)	450-492	2.0-2.1	CEE 7/7 Schuko	38 kg (83 lbs.)
	230-240 (CE)	413-450	1.8-1.9	BS-1363	38 kg (83 lbs.)
HDW-2N	120	900	7.5	NEMA 5-15P	76 kg (168 lbs.)
	208	900	4.3	NEMA 6-15P	76 kg (168 lbs.)
	240	900	3.8	NEMA 6-15P	76 kg (168 lbs.)
	220	900	4.1	CEE 7/7 Schuko	76 kg (168 lbs.)
	240	900	3.8	BS-1363	76 kg (168 lbs.)
	220-230 (CE)	900-984	4.1-4.3	CEE 7/7 Schuko	76 kg (168 lbs.)
	230-240 (CE)	826-900	3.6-3.8	BS-1363	76 kg (168 lbs.)
HDW-3N	120	1350	11.3	NEMA 5-15P	105 kg (232 lbs.)
	208	1350	6.5	NEMA 6-15P	105 kg (232 lbs.)
	240	1350	5.6	NEMA 6-15P	105 kg (232 lbs.)
	220	1350	6.1	CEE 7/7 Schuko	105 kg (232 lbs.)
	240	1350	5.6	BS-1363	105 kg (232 lbs.)
	220-230 (CE)	1350-1476	6.1-6.4	CEE 7/7 Schuko	105 kg (232 lbs.)
	230-240 (CE)	1239-1350	5.4-5.6	BS-1363	105 kg (232 lbs.)

Tableau des Caractéristiques électriques — Modèles HDW-XB

Modèle	Tension	Intensité	Amps	Configuration de Fiches	Poids d'embarquement
HDW-1B	120	450	3.8	Conduit	40 kg (88 lbs.)
	208	450	2.2	Conduit	40 kg (88 lbs.)
	240	450	1.9	Conduit	40 kg (88 lbs.)
	220	450	2.0	Conduit	40 kg (88 lbs.)
	240	450	1.9	Conduit	40 kg (88 lbs.)
	220-230 (CE)	450-492	2.0-2.1	Conduit	40 kg (88 lbs.)
	230-240 (CE)	413-450	1.8-1.9	Conduit	40 kg (88 lbs.)
HDW-2B	120	900	7.5	Conduit	72 kg (159 lbs.)
	208	900	4.3	Conduit	72 kg (159 lbs.)
	240	900	3.8	Conduit	72 kg (159 lbs.)
	220	900	4.1	Conduit	72 kg (159 lbs.)
	240	900	3.8	Conduit	72 kg (159 lbs.)
	220-230 (CE)	900-984	4.1-4.3	Conduit	72 kg (159 lbs.)
	230-240 (CE)	826-900	3.6-3.8	Conduit	72 kg (159 lbs.)
HDW-3B	120	1350	11.3	Conduit	105 kg (232 lbs.)
	208	1350	6.5	Conduit	105 kg (232 lbs.)
	240	1350	5.6	Conduit	105 kg (232 lbs.)
	220	1350	6.1	Conduit	105 kg (232 lbs.)
	240	1350	5.6	Conduit	105 kg (232 lbs.)
	220-230 (CE)	1350-1476	6.1-6.4	Conduit	105 kg (232 lbs.)
	230-240 (CE)	1239-1350	5.4-5.6	Conduit	105 kg (232 lbs.)

Tableau des Caractéristiques électriques — Modèles HDW-XBN

Modèle	Tension	Intensité	Amps	Configuration de Fiches	Poids d'embarquement
HDW-1BN	120	450	3.8	Conduit	40 kg (88 lbs.)
	208	450	2.2	Conduit	40 kg (88 lbs.)
	240	450	1.9	Conduit	40 kg (88 lbs.)
	220	450	2.0	Conduit	40 kg (88 lbs.)
	240	450	1.9	Conduit	40 kg (88 lbs.)
	220-230 (CE)	450-492	2.0-2.1	Conduit	40 kg (88 lbs.)
	230-240 (CE)	413-450	1.8-1.9	Conduit	40 kg (88 lbs.)
HDW-2BN	120	900	7.5	Conduit	72 kg (159 lbs.)
	208	900	4.3	Conduit	72 kg (159 lbs.)
	240	900	3.8	Conduit	72 kg (159 lbs.)
	220	900	4.1	Conduit	72 kg (159 lbs.)
	240	900	3.8	Conduit	72 kg (159 lbs.)
	220-230 (CE)	900-984	4.1-4.3	Conduit	72 kg (159 lbs.)
	230-240 (CE)	826-900	3.6-3.8	Conduit	72 kg (159 lbs.)
HDW-3BN	120	1350	11.3	Conduit	101 kg (223 lbs.)
	208	1350	6.5	Conduit	101 kg (223 lbs.)
	240	1350	5.6	Conduit	101 kg (223 lbs.)
	220	1350	6.1	Conduit	101 kg (223 lbs.)
	240	1350	5.6	Conduit	101 kg (223 lbs.)
	220-230 (CE)	1350-1476	6.1-6.4	Conduit	101 kg (223 lbs.)
	230-240 (CE)	1239-1350	5.4-5.6	Conduit	101 kg (223 lbs.)

Les informations électriques grisées dans le tableau désignent **les modèles destinés à internationaux uniquement**.

NOTA: Le poids d'embarquement comprend l'emballage.

Tableau des Caractéristiques électriques — Modèles HDW-XBR

Modèle	Tension	Intensité	Amps	Configuration de Fiches	Poids d'embarquement
HDW-1BR	120	450	3.8	NEMA 5-15P	36 kg (80 lbs.)
	208	450	2.2	NEMA 6-15P	36 kg (80 lbs.)
	240	450	1.9	NEMA 6-15P	36 kg (80 lbs.)
	220	450	2.0	CEE 7/7 Schuko	36 kg (80 lbs.)
	240	450	1.9	BS-1363	36 kg (80 lbs.)
	220-230 (CE)	450-492	2.0-2.1	CEE 7/7 Schuko	36 kg (80 lbs.)
	230-240 (CE)	413-450	1.8-1.9	BS-1363	36 kg (80 lbs.)
HDW-2BR	120	900	7.5	NEMA 5-15P	76 kg (168 lbs.)
	208	900	4.3	NEMA 6-15P	76 kg (168 lbs.)
	240	900	3.8	NEMA 6-15P	76 kg (168 lbs.)
	220	900	4.1	CEE 7/7 Schuko	76 kg (168 lbs.)
	240	900	3.8	BS-1363	76 kg (168 lbs.)
	220-230 (CE)	900-984	4.1-4.3	CEE 7/7 Schuko	76 kg (168 lbs.)
	230-240 (CE)	826-900	3.6-3.8	BS-1363	76 kg (168 lbs.)
HDW-3BR	120	1350	11.3	NEMA 5-15P	106 kg (232 lbs.)
	208	1350	6.5	NEMA 6-15P	106 kg (232 lbs.)
	240	1350	5.6	NEMA 6-15P	106 kg (232 lbs.)
	220	1350	6.1	CEE 7/7 Schuko	106 kg (232 lbs.)
	240	1350	5.6	BS-1363	106 kg (232 lbs.)
	220-230 (CE)	1350-1476	6.1-6.4	CEE 7/7 Schuko	106 kg (232 lbs.)
	230-240 (CE)	1239-1350	5.4-5.6	BS-1363	106 kg (232 lbs.)
HDW-4BR	120	1800	15	NEMA 5-20P	135 kg (296 lbs.)
	208	1800	8.7	NEMA 6-15P	135 kg (296 lbs.)
	240	1800	7.5	NEMA 6-15P	135 kg (296 lbs.)
	220	1800	8.2	CEE 7/7 Schuko	135 kg (296 lbs.)
	240	1800	7.5	BS-1363	135 kg (296 lbs.)
	220-230 (CE)	1800-1968	8.2-8.6	CEE 7/7 Schuko	135 kg (296 lbs.)
	230-240 (CE)	1653-1800	7.2-7.5	BS-1363	135 kg (296 lbs.)

Capacité de maintien au chaud des aliments

Un tiroir standard a la capacité suivante :

- Petits pains: 6-8 douzaines
- Côtes: 25-30 lbs. (11-14 kg)
- Pommes de terre: 3-3-1/2 douzaines

Dimensions — Modèles HDW-X et HDW-XN

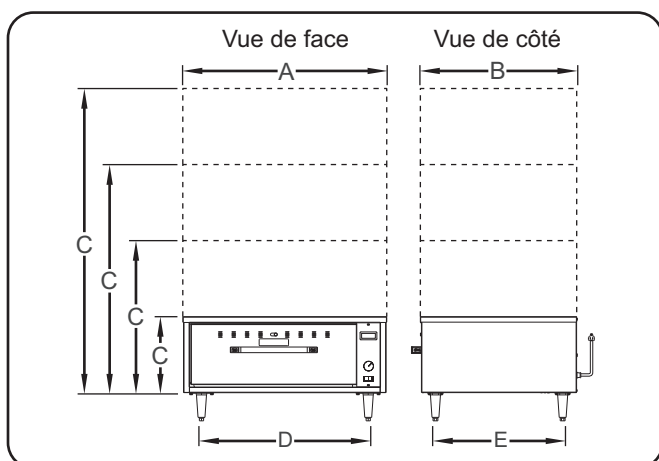
Modèle	Largeur (A)	Profondeur (B)	Hauteur (C)	Empattement Largeur (D)	Empattement Profondeur (E)
HDW-1	749 mm (29-1/2")	575 mm (22-5/8")	279 mm (11-1/16")	629 mm (24-3/4")	484 mm (19-1/16")
HDW-2	749 mm (29-1/2")	575 mm (22-5/8")	537 mm (21-3/16")	629 mm (24-3/4")	484 mm (19-1/16")
HDW-3	749 mm (29-1/2")	575 mm (22-5/8")	794 mm (31-1/4")	629 mm (24-3/4")	484 mm (19-1/16")
HDW-4	749 mm (29-1/2")	575 mm (22-5/8")	1051 mm (41-3/8")	629 mm (24-3/4")	484 mm (19-1/16")
HDW-1N	530 mm (20-7/8")	686 mm (27")	279 mm (11-1/16")	408 mm (16-1/8")	594 mm (23-7/16")
HDW-2N	530 mm (20-7/8")	686 mm (27")	537 mm (21-3/16")	408 mm (16-1/8")	594 mm (23-7/16")
HDW-3N	530 mm (20-7/8")	686 mm (27")	794 mm (31-1/4")	408 mm (16-1/8")	594 mm (23-7/16")

NOTA: Ajouter 102 mm (4") à la hauteur (C) pour des appareils avec des pieds en plastique standards de 102 mm (4"). Pour des informations supplémentaires sur les pieds ou les roulettes, référez-vous à la section OPTIONS ET ACCESSOIRES dans ce manuel.

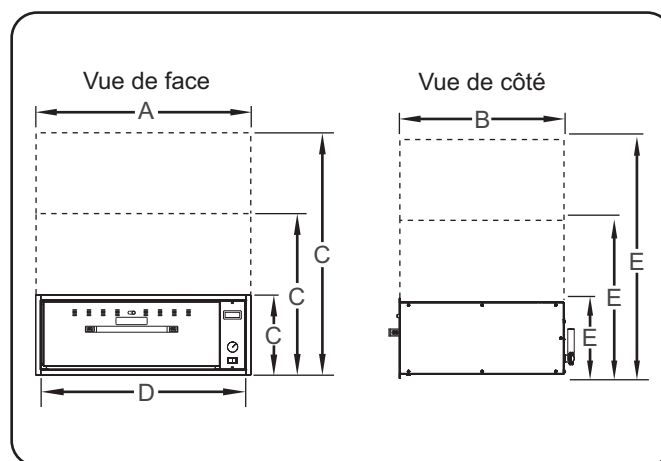
Dimensions — Modèles HDW-XB et HDW-XBN

Modèle	Largeur (A)	Profondeur (B)	Hauteur (C)	Encastré Largeur (D)	Encastré Hauteur (E)
HDW-1B	743 mm (29-1/4")	568 mm (22-3/8")	276 mm (10-7/8")	715 mm (28-3/16")	248 mm (9-13/16")
HDW-2B	743 mm (29-1/4")	568 mm (22-3/8")	534 mm (21")	715 mm (28-3/16")	506 mm (19-15/16")
HDW-3B	743 mm (29-1/4")	568 mm (22-3/8")	791 mm (31-1/8")	715 mm (28-3/16")	763 mm (30")
HDW-1BN	523 mm (20-9/16")	680 mm (26-3/4")	276 mm (10-7/8")	494 mm (19-1/2")	248 mm (9-13/16")
HDW-2BN	523 mm (20-9/16")	680 mm (26-3/4")	534 mm (21")	494 mm (19-1/2")	506 mm (19-15/16")
HDW-3BN	523 mm (20-9/16")	680 mm (26-3/4")	791 mm (31-1/8")	494 mm (19-1/2")	763 mm (30")

NOTA: Ajouter 35 mm (1-3/8") à la profondeur (B) pour la taille de la profondeur comprenant le raccord de conduit.



HDW-X et HDW-XN Dimensions

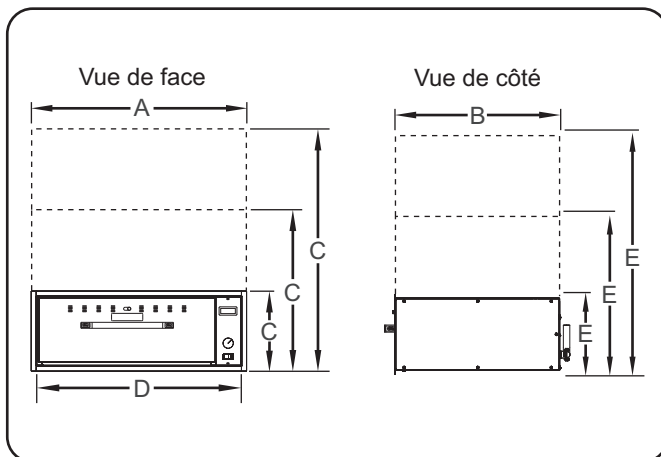


HDW-XB et HDW-XBN Dimensions

Dimensions — Modèle HDW-XBR

Modèle	Largeur (A)	Profondeur (B)	Hauteur (C)	Encastré Largeur (D)	Encastré Hauteur (E)
HDW-1BR	740 mm (29-1/8")	418 mm (16-1/2")	273 mm (10-3/4")	715 mm (28-3/16")	248 mm (9-3/4")
HDW-2BR	740 mm (29-1/8")	418 mm (16-1/2")	546 mm (21-1/2")	715 mm (28-3/16")	521 mm (20-1/2")
HDW-3BR	740 mm (29-1/8")	418 mm (16-1/2")	819 mm (32-1/4")	715 mm (28-3/16")	794 mm (31-1/4")
HDW-3BR	740 mm (29-1/8")	418 mm (16-1/2")	1092 mm (43")	715 mm (28-3/16")	1067 mm (42")

NOTA: Ajouter 35 mm (1-3/8") à la profondeur (B) pour la taille de la profondeur comprenant le raccord de conduit.



HDW-XBR Dimensions

Généralités

Les tiroirs chauffants sont expédiés avec la plupart des composants préassemblés. Faites attention lors du déballage pour éviter d'endommager l'appareil et ses composants.

⚠ AVERTISSEMENT

DANGER DE DÉCHARGE ÉLECTRIQUE : L'appareil n'est pas à l'épreuve des intempéries. Placer l'appareil à l'intérieur à une température ambiante de 21°C (70°F) minimum.

DANGER D'INCENDIE : Placer l'appareil à un minimum de 25 mm des parois et matières combustibles. Si une distance sûre n'est pas maintenue, la chaleur peut provoquer une combustion ou une altération de couleur.

AVIS

Ne posez pas l'appareil sur l'avant ou sur l'arrière sous peine de l'endommager.

1. Retirer l'appareil de sa boîte.

NOTA: Pour éviter un retard de service sous garantie, enregistrez la garantie en ligne. Pour des détails, voir la section INFORMATIONS IMPORTANTES POUR LE PROPRIÉTAIRE.

2. Retirer le ruban et le film de protection de toutes les surfaces de l'appareil.
3. Placer l'appareil à l'endroit souhaité.
 - Placez l'appareil à un endroit où la température ambiante est constante et de 21 °C (70 °F) minimum. Évitez les endroits susceptibles d'activer les mouvements ou les courants d'air (proximité des ventilateurs ou hottes d'évacuation et conduites de climatisation).
 - Assurez-vous que l'appareil est placé sur un sol horizontal solide ou dans une armoire solide.
 - Assurez-vous que l'appareil est à la bonne hauteur du plan de travail dans un espace pratique pour son utilisation.
4. Installez l'appareil. Consultez la procédures d'installation appropriée dans cette section.

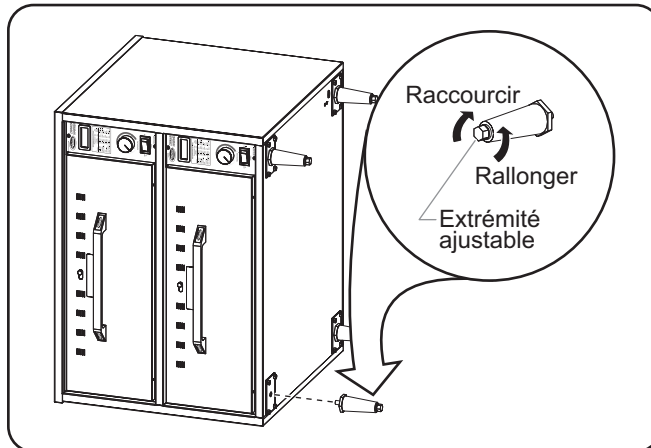
Installation des Modèles HDW-X et HDW-XN

Les modèles HDW-X et HDW-XN sont des appareils amovibles qui nécessitent l'installation de pieds ou de roulettes avant leur opération.

1. Sortez du tiroir de l'appareil le sac en plastique contenant les quatre pieds ou roulettes.
2. Couchez avec précautions l'appareil sur le côté (nécessite deux personnes).
3. Installez chaque pied ou roulette. Consultez la procédure appropriée dans cette section.
4. Remettez l'appareil à la verticale (il faut s'y prendre à deux). Si l'appareil n'est pas calé ou branle, tourner l'extrémité réglable du pied approprié pour caler l'appareil.

Installation des Pieds

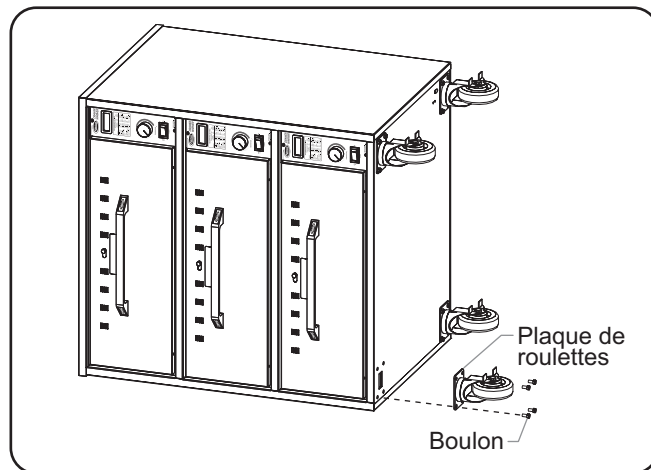
1. Taraudez un pied dans l'orifice situé au niveau d'un coin de l'appareil.
2. Serrez le pied à la main jusqu'à ce qu'il soit bien serré. Ne serrez pas trop.
3. Reprenez les étapes 1 et 2 pour les trois autres pieds.



Installation des pieds

Installation des Roulettes

1. Alignez les quatre orifices de la plaque de roulettes sur les quatre orifices à la base de l'appareil au niveau d'un coin de l'appareil.
2. Installez un boulon à travers chacun des orifices dans la plaque de roulettes et dans la base de l'appareil. Serrez fermement.
3. Reprenez les étapes 1 et 2 pour les trois roulettes restantes.



Installation des Roulettes sur le Modèle HDW-3

Installation des modèles intégrés

Les modèles HDW-XB, HDW-XBN, et HDW-XBR sont des modèles encastrés exigeant une installation dans une armoire avant utilisation.

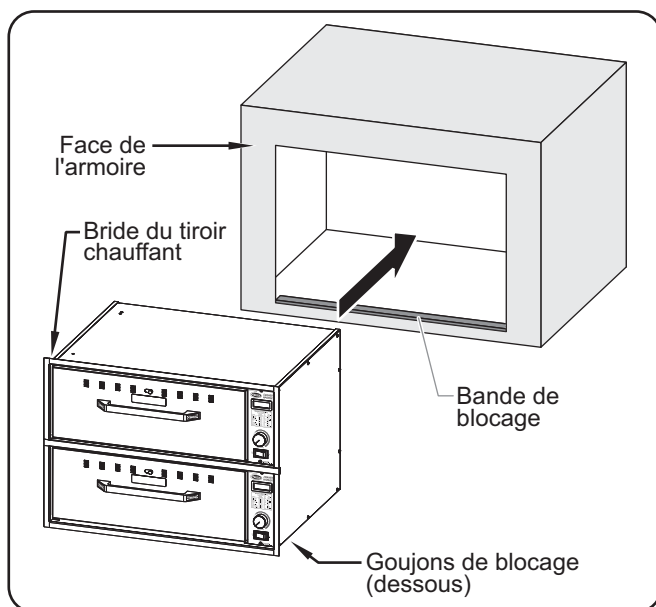
⚠ AVERTISSEMENT

DANGER DE DÉCHARGE ÉLECTRIQUE: Les appareils intégrés doivent être installés par un électricien qualifié. L'installation doit être conforme à tous les codes électriques locaux. Une installation effectuée par du personnel non qualifié annulera la garantie de l'unité et peut entraîner des chocs électriques ou des brûlures, ainsi que des dommages sur l'appareil et/ou son voisinage.

1. Percez les ouvertures appropriées dans l'armoire. Consultez le tableau et l'illustration « Dimensions de découpe des éléments intégrés » pour connaître les dimensions.

NOTA: Maintenez un dégagement minimum de 25 mm entre la découpe et le sol.

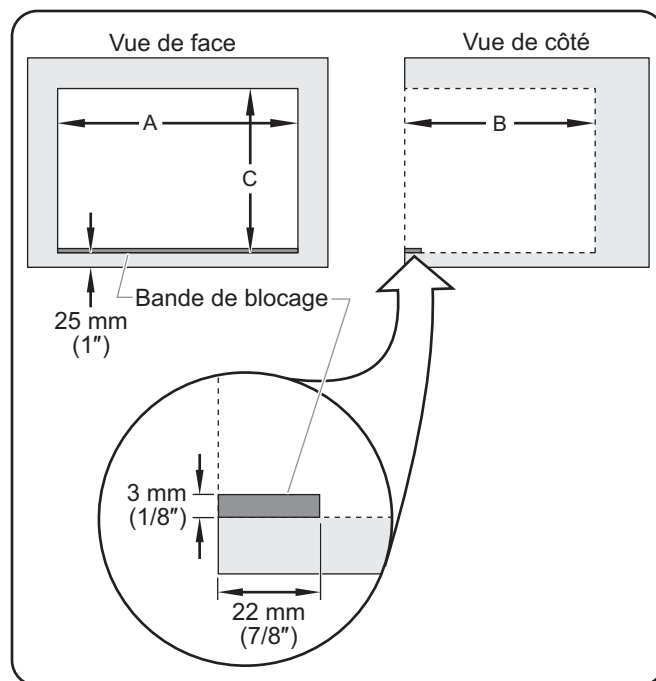
2. Fixez une bande de blocage (non fournie) au rebord intérieur avant, en bas de l'ouverture de l'armoire.
3. Assurez-vous qu'une prise électrique correctement mise à la terre de tension, taille et configuration corrects est installée dans la découpe de l'armoire. Pour des détails, voir la section CARACTÉRISTIQUES TECHNIQUE.
4. Insérez partiellement l'appareil dans l'ouverture en veillant à ce que le conduit pénètre en premier dans l'ouverture.
5. Demandez à un électricien qualifié de raccorder les câbles de l'appareil entre le conduit et l'alimentation électrique à l'intérieur de l'armoire.
6. Avant d'installer l'appareil à fond dans l'ouverture, appliquez un cordon de colle approuvé par la National Sanitation Foundation entre la bride du tiroir chauffant et la face de l'armoire.
7. Glissez l'armoire dans l'ouverture jusqu'à ce que les goujons de blocage avant descendent derrière la bande de blocage. Pour vérifier l'installation, tirez avec précaution le tiroir du bas à fond pour être sûr qu'il est bloqué en position.



Installation encastrée

Dimensions de découpe des éléments intégrés

Modèle	Largeur (A)	Profondeur (B)	Hauteur (C)
HDW-1B	720 mm (28-3/8")	610 mm (24")	257 mm (10-1/8")
HDW-2B	720 mm (28-3/8")	610 mm (24")	514 mm (20-1/4")
HDW-3B	720 mm (28-3/8")	610 mm (24")	771 mm (30-3/8")
HDW-1BN	502 mm (19-3/4")	720 mm (28-3/8")	257 mm (10-1/8")
HDW-2BN	502 mm (19-3/4")	720 mm (28-3/8")	514 mm (20-1/4")
HDW-3BN	502 mm (19-3/4")	720 mm (28-3/8")	771 mm (30-3/8")
HDW-1BR	722 mm (28-7/16")	460 mm (18-1/8")	257 mm (10-1/8")
HDW-2BR	722 mm (28-7/16")	460 mm (18-1/8")	530 mm (20-7/8")
HDW-3BR	722 mm (28-7/16")	460 mm (18-1/8")	803 mm (31-5/8")
HDW-4BR	722 mm (28-7/16")	460 mm (18-1/8")	1076 mm (42-3/8")



Dimensions de découpe et bande de blocage

Généralités

Procédez comme suit pour utiliser les tiroirs chauffants. Chaque tiroir peut être individuellement commandé et surveillé à l'aide d'événets de tiroir réglables pour réguler l'humidité, d'un interrupteur de marche/arrêt (I/O), un moniteur de température.

⚠ AVERTISSEMENT

Lire tous les messages de sécurité de la section Consignes de sécurité importantes avant d'utiliser ce matériel.

Mise en marche

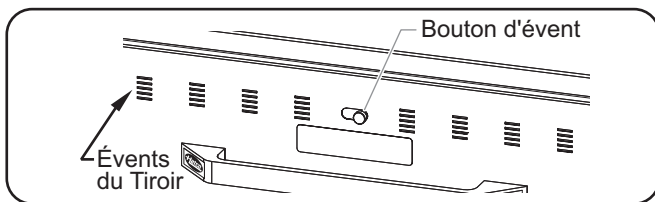
1. Pour les appareils indépendants, branchez l'appareil sur une prise électrique correctement mise à la terre de la configuration, de la taille et de la tension corrects. Pour des détails, voir la section CARACTÉRISTIQUES TECHNIQUE.
2. Placez l'interrupteur d'alimentation POWER (I/O) sur position Marche (I).
3. Tournez le thermostat TEMPERATURE au réglage souhaité. Reportez-vous au tableau des réglages recommandés sur le panneau de commande ou le Guide de maintien au chaud des aliments dans cette section.

⚠ ATTENTION

Les huiles de fabrication standard et approuvées pourront fumer pendant 30 minutes après l'allumage initial. C'est un problème temporaire. Utilisez l'appareil à vide jusqu'à dissipation de la fumée.

DANGER DE BRÛLURE :

- Certaines surfaces extérieures de l'appareil deviennent chaudes. Toucher ces zones de l'appareil avec précaution.
 - Faites attention en ouvrant le tiroir. De l'air chaud s'en échappera.
4. Attendez 15–20 minutes que l'appareil atteigne la température d'utilisation.
 5. Ajustez les évènements de tiroir pour obtenir l'humidité souhaitée en glissant le bouton d'évén sur l'avant du tiroir. Déplacez le bouton d'évén pour le droit d'ouvrir les aérations et vers la gauche pour fermer les bouches. L'ouverture complète des évènements permet l'évacuation du maximum d'humidité.



Événets du tiroir

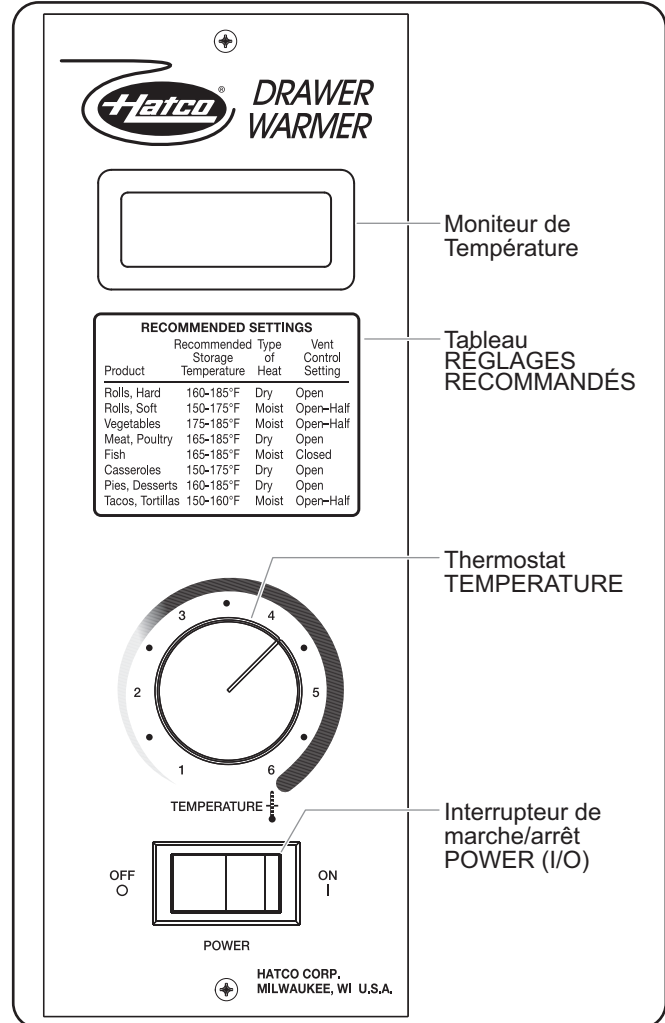
NOTA: Le réglage correct des évènements dépend du type et du volume d'aliments maintenus au chaud, ainsi que de la fréquence d'ouverture du tiroir.

NOTA: Pour plus d'humidité, il est possible d'ajouter de l'eau (environ 6 mm [1/4"] d'eau) dans le bac d'eau/de déversement en option avant d'insérer la plaque d'aliment dans le tiroir. Vérifiez régulièrement le niveau d'eau. Ajoutez de l'eau selon les besoins. Il est conseillé d'utiliser une cloison contre les éclaboussures pour empêcher l'eau d'éclabousser l'intérieur de l'armoire lors de l'ouverture et de la fermeture d'un tiroir. Si vous utilisez de l'eau dure, le bac devra être régulièrement nettoyé et détartré. Consultez la section MAINTENANCE pour le guide de détartrage.

NOTA: Les dommages dus à l'eau ne sont pas couverts par la garantie.

Arrêt

1. Placez l'interrupteur d'alimentation POWER (I/O) sur position Arrêt (O).
2. Laissez refroidir avant une maintenance ou un nettoyage.



Panneau de commande

Guide de maintien au chaud des aliments

Produit	Température de Stockage Recommandée	Type de Chaleur	Réglage d'évén
Petits pains, durs	160°–185°F (71°–85°C)	Sec	Fermé
Petits pains, mous	150°–175°F (66°–79°C)	Humide	Ouvert de moitié
Légumes	175°–185°F (79°–85°C)	Humide	Ouvert de moitié
Viande, volaille	165°–185°F (74°–85°C)	Sec	Fermé
Poisson	165°–185°F (74°–85°C)	Humide	Ouvert
Gratins	150°–175°F (66°–79°C)	Sec	Fermé
Tartes, Desserts	160°–185°F (71°–85°C)	Sec	Fermé
Tacos, Tortillas	150°–160°F (66°–71°C)	Humide	Ouvert de moitié

Généralités

Les tiroirs chauffants sont conçus pour une durabilité et une performance maximum et un minimum d'entretien.

AVERTISSEMENT

DANGER DE DÉCHARGE ÉLECTRIQUE :

- Éteignez l'appareil, débranchez le cordon d'alimentation/coupez l'alimentation au niveau du coupe-circuit et laissez refroidir avant une maintenance ou un nettoyage.
- **NE PAS immerger l'appareil ni le saturer d'eau. L'appareil n'est pas étanche à l'eau. Ne pas le faire fonctionner s'il a été immergé ou saturé d'eau.**
- **Ne pas nettoyer l'appareil lorsqu'il est sous tension ou chaud.**
- **Ne pas nettoyer à la vapeur ni utiliser trop d'eau sur l'appareil.**
- **Cet appareil n'est pas étanche aux jets. Ne pas utiliser de jet sous pression pour nettoyer l'appareil.**

Cet appareil ne contient aucune pièce réparable par l'utilisateur. Si cet appareil doit être réparé, contacter un réparateur Hatco agréé ou le Service après-vente Hatco au 800-558-0607 ou 414-671-6350 ; télécopieur 800-690-2966; télécopieur internationale 414-671-3976.

Nettoyage quotidien

Pour préserver la finition de l'appareil et maintenir la performance, il est recommandé de nettoyer tous les jours l'appareil.

1. Mettre l'appareil hors tension, débrancher le cordon d'alimentation et laisser refroidir l'appareil.
2. Enelevz et lavez tous les plaques à aliments.

AVIS

Utilisez uniquement des nettoyeurs non abrasifs et des chiffons doux. Les chiffons et nettoyant abrasifs pourraient rayer la finition de l'unité, altérant son apparence et la rendant vulnérable à l'accumulation de saleté.

3. Essuyez les surfaces à l'aide d'un chiffon humide. Un nettoyant crème non abrasif pourra être utilisé sur les taches tenaces.
 - Assurez-vous de contrôler et d'nettoyer l'intérieur de l'appareil. Des particules d'aliments pourront tomber des plaques dans le tiroir. **ATTENTION ! Risque de brûlure—Ne nettoyez pas l'intérieur du tiroir quand l'appareil est en marche ou branché !**
4. Essuyez l'appareil entier sèche l'utilisation d'un tissu propre, sec.

Retrait du Tartre et des Dépôts Minéraux (Modèles Avec un Bac d'eau en Option)

Procédez comme suit pour un nettoyage et un détartrage périodiques du bac d'eau.

NOTA: La teneur en tartre et en minéraux de l'eau utilisée pour un fonctionnement quotidien déterminera la fréquence de la procédure de détartrage.

NOTA: Effectuez cette procédure lorsque l'appareil ne va pas être utilisé pendant un certain temps, comme en fin de journée.

1. Eteignez l'appareil, débranchez le cordon d'alimentation (modèles amovibles) et laissez l'appareil refroidir.
2. Une fois que l'appareil est refroidi, retirez le bac d'eau et videz-le.
3. Remplissez le bac d'eau avec un mélange de 75% d'eau et 25% de vinaigre blanc jusqu'à un niveau où le mélange recouvre le tartre et les dépôts de minéraux.
4. Installez le bac d'eau avec la solution de détartrage dans l'appareil.
5. Branchez l'appareil et allumez-le. Laissez l'appareil fonctionner pendant 30 minutes.
6. Eteignez l'appareil et débranchez le cordon d'alimentation (modèles amovibles).
7. Laissez le bac d'eau avec la solution de détartrage pendant au moins deux heures (la durée requise varie en fonction de la quantité de dépôts dans le bac d'eau).
8. Retirez le bac d'eau et videz-en la solution de détartrage.
9. Continuez à remplir le bac d'eau propre et de le rincer jusqu'à ce qu'il soit propre.
10. Installez le bac d'eau propre dans l'appareil. Branchez l'appareil et remplissez le bac d'eau comme d'habitude pour un fonctionnement quotidien (il est conseillé de mettre 6 mm [1/4"]d'eau).

NOTA: Si le tartre et les dépôts de minéraux sont encore présents dans le bac d'eau, répétez cette procédure et augmentez la durée de l'application de la solution de détartrage dans le bac d'eau.

⚠ AVERTISSEMENT

La réparation de cet appareil doit être confiée exclusivement à du personnel qualifié. Les réparations par des personnes non qualifiées peuvent provoquer des décharges électriques et des brûlures.

⚠ AVERTISSEMENT

DANGER DE DÉCHARGE ÉLECTRIQUE: Éteignez l'appareil, débranchez le cordon d'alimentation/coupez l'alimentation au niveau du coupe-circuit et laissez refroidir avant une maintenance ou un nettoyage.

Symptôme	Cause Probable	Solution
Appareil trop chaud.	Thermostat réglé trop haut.	Baissez le thermostat.
	Appareil branché sur une alimentation inadaptée.	Assurez-vous auprès d'un personnel qualifié que l'alimentation correspond aux spécifications de l'appareil.
	Thermostat interne défectueux.	Contactez votre agent de maintenance agréé ou Hatco pour assistance.
Appareil pas assez chaud.	L'appareil n'a pas eu assez de temps pour préchauffer.	Attendez 15–20 minutes que l'appareil atteigne la température d'utilisation.
	Thermostat réglé trop bas.	Montez le thermostat.
	Tiroir(s) pas fermé(s) à fond.	Assurez-vous que tous les tiroirs sont fermés à fond.
	Thermostat interne défectueux..	Contactez votre agent de maintenance agréé ou Hatco pour assistance.
Produit trop sec.	Évent du tiroir en position fermée.	Ouvrez l'évent à fond.
	Bac à eau en option vide ou non installé.	Installez et/ou remplissez le bac d'eau propre. Régulez le taux d'humidité intérieure à l'aide des événements de tiroir.
Produit trop humide.	Évent du tiroir en position ouverte.	Enlevez le bac d'eau du tiroir.
	Bac à eau en option installé, mais inutile.	Éliminer l'eau pan de tiroir.
L'appareil ne fonctionne pas du tout.	Appareil non branché	Brancher l'appareil sur une alimentation adéquate.
	L'appareil n'a pas été mis sous tension.	Placer l'interrupteur de marche/arrêt sur Marche.
	Le coupe-circuit a disjoncté.	Réarmez le coupe-circuit.
	Interrupteur de marche/arrêt défectueux.	Contactez votre agent de maintenance agréé ou Hatco pour assistance.
	Thermostat interne défectueux.	Contactez votre agent de maintenance agréé ou Hatco pour assistance.
	L'élément chauffant a grillé.	Contactez votre agent de maintenance agréé ou Hatco pour assistance.

Vous avez des questions en ce qui concerne les pannes ?

Si le problème persiste, veuillez contacter l'agence d'entretien agréée Hatco la plus proche ou Hatco pour obtenir une assistance. Pour trouver l'agence d'entretien la plus proche, rendez-vous sur le site Internet de Hatco (www.hatcocorp.com) et cliquez sur Trouver un agent d'entretien, ou contactez **l'équipe d'entretien et de pièces détachées de Hatco** :

Numéro de

téléphone: 800-558-0607 ou 414-671-6350

Courriel: partsandservice@hatcocorp.com

Télécopie: 800-690-2966 ou 414-671-3976

Commande Numérique de Température

La commande numérique de température est installée en usine et remplace le panneau de commande standard de réchauffement des tiroirs. Procédez comme suit pour opérer la commande numérique de température.

Démarrage

- Déplacez le(s) interrupteur(s) d'alimentation ON/OFF (marche/arrêt) (E/S) en position ON (marche).
 - Le régulateur de TEMPÉRATURE numérique correspondant sera sous tension et la température courante du tiroir ou "LO" apparaît sur l'affichage. "LO" indique que la température du tiroir est inférieure à 21°C (70°F).
- Appuyez trois fois sur la touche **SET** pour vérifier la température nominale. (Le signe « SP » s'affichera après la deuxième pression.) Consultez le graphique des PARAMÈTRES RECOMMANDÉS sur le panneau de commande ou le GUIDE DE CONSERVATION DES ALIMENTS de ce manuel.
 - La température nominale sera affichée pendant dix secondes. Au bout de dix secondes, l'affichage TEMPÉRATURE reviendra à la température actuelle de l'appareil. Pour modifier la température nominale, veuillez vous référer à la procédure « Modification de la température nominale » dans cette section.

NOTA: Le régulateur de température numérique est pré-réglé à l'usine à une température nominale de 85°C (185°F). Une fois que vous avez modifié la température nominale, cette nouvelle température nominale sera mémorisée jusqu'au prochain changement. La plage de température nominale va de 21°C (70°F) à 93°C (200°F).

ATTENTION

DANGER DE BRÛLURE :

- Certaines surfaces extérieures de l'appareil deviennent chaudes. Toucher ces zones de l'appareil avec précaution.
 - Faites attention en ouvrant le tiroir. De l'air chaud s'en échappera.
- Prévoyez 15 à 20 minutes pour que l'appareil atteigne la température de fonctionnement.

Arrêt

- Déplacez l'interrupteur d'alimentation ON/OFF (marche/arrêt) (E/S) en position OFF (arrêt) (S). La commande numérique de température et le tiroir chauffé sont arrêtés.

Modification de la température nominale

Suivez la procédure ci-après pour programmer la température nominale.

- Appuyez 3 fois sur la touche **SET**. La température nominale actuelle s'affichera sur l'écran TEMPÉRATURE (le signe « SP » s'affichera après la deuxième pression).
- Appuyez sur la touche ▲ ou ▼ dans les 10 secondes pour modifier la température nominale.

- Appuyez sur la touche **SET** pour verrouiller la nouvelle température nominale. L'affichage TEMPÉRATURE restera vierge pendant deux secondes puis indiquera que les nouveaux paramètres ont été acceptés.

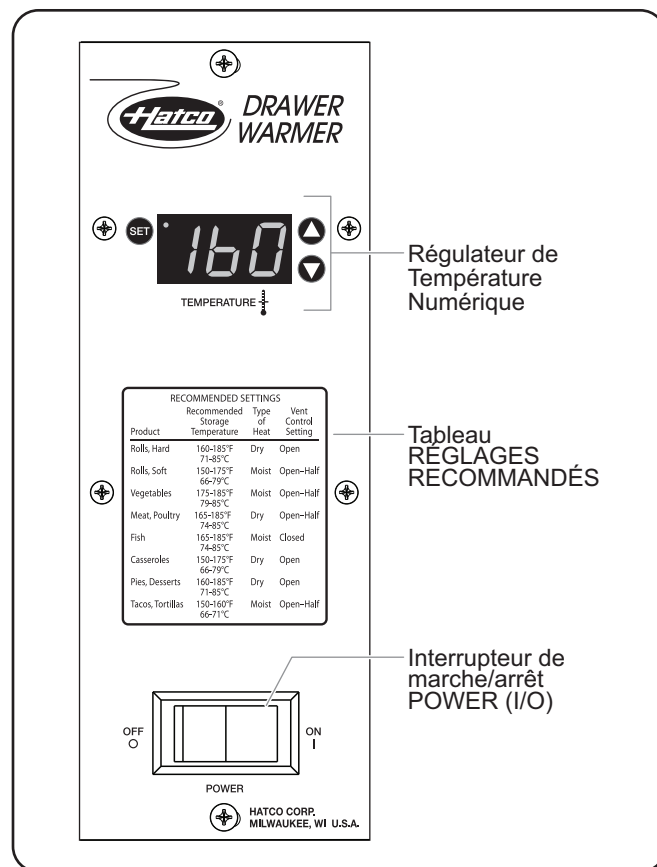
NOTA: Après dix secondes d'inactivité au cours de la programmation, le régulateur quittera automatiquement le mode programmation sans mémoriser la nouvelle valeur.

Alternance entre l'affichage Fahrenheit et Celsius

Utilisez la procédure ci-après pour alterner entre l'affichage Fahrenheit et Celsius.

- Appuyez une fois sur la touche **SET**. Saisissez « F » pour un affichage en Fahrenheit ou « C » pour un affichage en Celsius.
- Appuyez sur la touche ▲ ou ▼ dans les 10 secondes pour alterner entre l'affichage « F » (Fahrenheit) et « C » (Celsius).
- Appuyez trois fois sur la touche **SET** pour verrouiller le nouveau paramètre. L'affichage TEMPÉRATURE restera vierge pendant deux secondes puis indiquera que les nouveaux paramètres ont été acceptés.

NOTA: Après dix secondes d'inactivité au cours de la programmation, le régulateur quittera automatiquement le mode programmation sans mémoriser la nouvelle valeur.



Panneau de Commande de Température Numérique

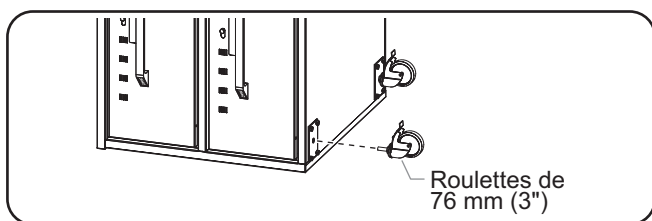
Roulettes de 76 mm (3")

Les roulettes pivotantes de 76 mm (3") sont disponibles pour les appareils amovibles à un, deux et trois tiroirs. Les roulettes bloquantes de 76 mm (3") ajoutent 108 mm (4-1/4") à la hauteur de l'appareil. Procédez comme suit pour installer les roulettes sous l'appareil.

AVIS

Ne posez pas l'appareil sur l'avant ou sur l'arrière sous peine de l'endommager.

1. Enlevez les plaques des tiroirs.
2. Posez avec précaution l'appareil sur le côté droit ou gauche (il faut s'y prendre à deux).
3. Enlevez les pieds, s'il y a lieu.
4. Installez la roulette dans un trou d'où vous avez enlevé un pied. Serrez bien.



Installation des Roulettes

5. Reprenez les étapes 3 et 4 pour les trois autres roulettes.
6. Remettez l'appareil à la verticale (il faut s'y prendre à deux).

Roulettes pivotantes de 51 mm (2")

Les roulettes pivotantes de 51 mm (2") sont disponibles pour les appareils amovibles à un, deux et trois tiroirs. Les roulettes bloquantes de 51 mm (2") ajoutent 64 mm (2-1/2") à la hauteur de l'appareil.

Roulettes bloquantes de 102 mm (4")

Les roulettes bloquantes de 102 mm (4") sont disponibles pour les appareils amovibles à un, deux, trois et quatre tiroirs. Les roulettes bloquantes de 102 mm (4") ajoutent 133 mm (5-1/4") à la hauteur de l'appareil.

Roulettes bloquantes de 127 mm (5")

Les roulettes bloquantes de 127 mm (5") sont disponibles pour les appareils amovibles à un, deux, trois et quatre tiroirs. Les roulettes bloquantes de 127 mm (5") ajoutent 159 mm (6-1/4") à la hauteur de l'appareil.

Pieds réglables de 152 mm (6")

Les pieds réglables en acier inoxydable de 152 mm (6") sont disponibles pour les appareils amovibles à un, deux, trois et quatre tiroirs. Les pieds réglables de 152 mm (6") ajoutent 152 mm (6") à la hauteur de l'appareil.

Tiroir grande dimension

Un tiroir et un bac de grande dimension sont disponibles en option et peuvent être installés en usine. Le bac mesure 508 x 381 x 127 mm (20" x 15" x 5").

Tiroir à biscuits

Un tiroir à biscuits est disponible en option et peut être installé en usine. Les tiroirs à biscuits peuvent accueillir deux demi-bacs de 475 x 330 mm (18" x 13") (les bacs ne sont pas inclus).

Plaques d'aliments

Les plaques d'aliments accessoires en acier inoxydable sont disponibles en tailles diverses.

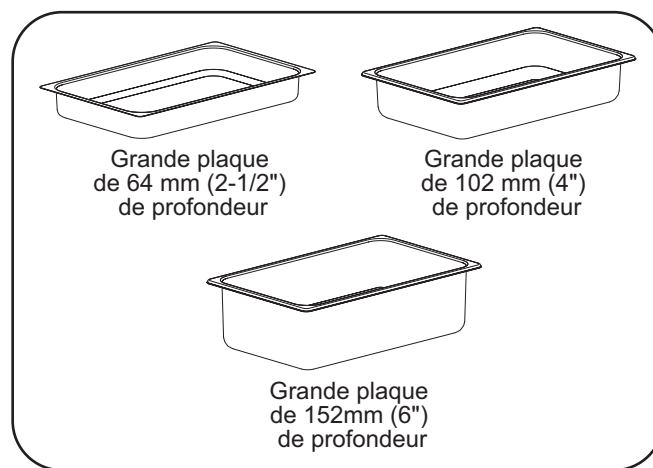
ALUM PANLes demi-bacs mesurent 475 x 330 mm (18" x 13")

ST PAN 2.....Grande plaque en acier inoxydable de 64 mm (2-1/2") de profondeur — 324 L x 527 P x 64 H mm (12-3/4" x 20-3/4" x 2-1/2")

ST PAN 4.....Grande plaque en acier inoxydable de 102 mm (4") de profondeur — 324 L x 527 P x 102 H mm (12-3/4" x 20-3/4" x 4")

ST PAN 1/2 x 6"Les demi-bacs en acier inoxydable ont une profondeur de 152 mm (6") — une largeur de 324 mm, une profondeur de 264 mm, et une hauteur de 152 mm (12-3/4" x 10-3/8" x 6").

HDW 6" PAN.....Grande plaque en acier inoxydable de 152 mm (6") de profondeur — 324 L x 527 P x 152 H mm (12-3/4" x 20-3/4" x 6")



Plaques d'aliments en Acier Inoxydable

Bac d'eau/de Déversement

Le bac d'eau/de déversement se place sur le tiroir en dessous de la plaque d'aliments et il est possible de l'utiliser pour humidifier la zone de chauffage ou pour éviter les déversements dans l'intérieur de l'armoire. Une cloison contre les éclaboussures est recommandée.

Cloison Contre les Éclaboussures

La cloison contre les éclaboussures est utilisée avec le bac d'eau/de déversement en option. Fabriquée en acier inoxydable, la cloison se place dans la base du bac d'eau/de déversement, au-dessus de la cuve d'eau, pour empêcher l'eau d'éclabousser l'intérieur de l'armoire lors de l'ouverture et de la fermeture d'un tiroir, tout en permettant à l'humidité de s'échapper.

Protection Contre les Chips

La protection contre les chips protège complètement l'élément chauffant, empêchant les aliments, comme des chips de tortilla, d'entrer en contact avec l'élément chauffant.

Grille

Une grille (HDW-TRIVET) élève les aliments à 13 mm (1/2") de la base d'une grande plaque.

1. GARANTIE DU PRODUIT

Hatco garantit que les produits qu'il fabrique (les « Produits ») sont exempts de défauts de matériel et de fabrication, dans des conditions normales d'utilisation et de maintenance, pour une période d'un (1) an à partir de la date d'achat à condition que l'appareil soit installé et entretenu conformément aux instructions écrites de Hatco ou 18 mois après la date de l'expédition par Hatco. L'acheteur doit prouver la date d'achat du Produit par l'enregistrement du produit auprès de Hatco ou par d'autres moyens satisfaisants pour Hatco, à sa seule discrétion.

Hatco garantit que les composants du Produit suivants sont exempts de défauts de matériel et de fabrication à partir de la date d'achat (sous réserve des conditions précédentes) pour la ou les périodes de temps et en fonction des conditions listées ci-dessous :

a) Garantie d'un (1) an pour les pièces et la main-d'œuvre PLUS un an (1) supplémentaire pour les pièces uniquement :

Éléments du grille-pain à convoyeur (enveloppe métallique)
 Éléments des tiroirs chauffants (enveloppe métallique)
 Tiroirs, roues et glissières des tiroirs chauffants
 Éléments des rampes chauffantes (enveloppe métallique)
 Éléments des vitrines chauffantes
 (enveloppe métallique, air chauffant)
 Éléments des armoires de stockage
 (enveloppe métallique, air chauffant)
 Éléments des compartiments chauffants —
 série HW et HWB (enveloppe métallique)

b) Garantie d'un (1) an pour les pièces et la main-d'œuvre PLUS quatre (4) ans pour les pièces uniquement :

Cuves 3CS et FR

c) Garantie d'un (1) an pour les pièces et la main-d'œuvre PLUS neuf (9) ans pour les pièces uniquement :

Cuves des appareils de chauffage d'appoint électriques
 Cuves des appareils de chauffage d'appoint à gaz

d) Garantie de quatre-vingt-dix (90) jours pour les pièces uniquement :

Pièces de rechange

LES GARANTIES PRÉCÉDENTES SONT EXCLUSIVES ET REMPLACENT TOUTES AUTRES GARANTIES, EXPRESSES OU IMPLICITES, COMPRENANT, MAIS NE SE LIMITANT PAS À, TOUTES GARANTIES IMPLICITES DE QUALITÉ MARCHANDE OU DE FINALITÉ PARTICULIÈRE OU TOUTS BREVETS OU TOUTES AUTRES ATTEINTES AUX DROITS DE LA PROPRIÉTÉ INTELLECTUELLE. Sans restreindre la portée générale des énoncés précédents, CES GARANTIES NE COUVRENT PAS : Ampoules d'éclairage à incandescence enduites, lumières fluorescentes, ampoules de lampes chauffantes, ampoules d'éclairage à halogène enduites, ampoules de lampes chauffantes au xénon, tubes d'éclairage DEL, composants en verre et fusibles ; défaut de produit dans la cuve d'un appareil de chauffage d'appoint, dans un échangeur de chaleur à tubes à ailettes ou tout autre équipement de chauffage d'eau causé par la calcification, l'accumulation de sédiments, la réaction d'un produit chimique ou le gel ; ou une mauvaise utilisation, une manipulation ou une mauvaise application, une installation inappropriée du Produit ou l'utilisation d'une tension inappropriée.

2. LIMITES DES RECOURS ET DES DOMMAGES

La responsabilité de Hatco et la seule voie de recours de l'Acheteur prévues par les présentes seront limitées exclusivement, au gré de Hatco, à la réparation ou au remplacement à l'aide de pièces ou de Produits nouveaux ou remis à neuf par Hatco ou un centre de réparation agréé par Hatco (sauf si l'Acheteur se situe hors des États-Unis, du Canada, du Royaume-Uni ou de l'Australie, auquel cas la responsabilité de Hatco et la seule voie de recours de l'Acheteur seront limitées exclusivement au remplacement des pièces concernées par la garantie) à l'égard de toute revendication effectuée dans les délais de garantie applicables mentionnés ci-dessus. Hatco se réserve le droit d'accepter ou de rejeter toute réclamation en partie ou dans son intégralité. Dans le cadre de cette Garantie limitée, « remis à neuf » signifie une pièce ou un Produit dont les caractéristiques techniques d'origine ont été restaurées par Hatco ou un centre de réparation agréé par Hatco. Hatco n'acceptera aucun retour de Produits sans qu'il n'ait auparavant donné son accord écrit, et tous ces retours approuvés doivent être effectués aux seuls frais de l'Acheteur. HATCO NE SERA PAS TENU RESPONSABLE, DANS AUCUNE CIRCONSTANCE, DES DOMMAGES CONSÉCUTIFS OU INDIRECTS, COMPRENANT, MAIS NE SE LIMITANT PAS À, LES COÛTS DE MAIN-D'ŒUVRE OU PERTES DE PROFITS DUS À UNE UTILISATION OU À UNE IMPOSSIBILITÉ D'UTILISER LES PRODUITS OU DUS AU FAIT QUE LES PRODUITS ONT ÉTÉ INTÉGRÉS DANS OU QU'ILS SONT DEVENUS UN COMPOSANT DE TOUT AUTRE PRODUIT OU BIEN.

AUTHORIZED PARTS DISTRIBUTORS • AUTORISÉS DISTRIBUTEURS DE PIÈCES

ALABAMA

Jones McLeod Appl. Svc.
Birmingham 205-251-0159

ARIZONA

Service Solutions Group
Phoenix 602-234-2443

Byassee Equipment Co.
Phoenix 602-252-0402

CALIFORNIA

Industrial Electric
Commercial Parts & Service, Inc.
Huntington Beach 714-379-7100

Chapman Appl. Service
San Diego 619-298-7106

P & D Appliance
Commercial Parts & Service, Inc.
S. San Francisco 650-635-1900

COLORADO

Hawkins Commercial Appliance
Englewood 303-781-5548

FLORIDA

Whaley Foodservice Repair
Jacksonville 904-725-7800

3Wire Nass Service Co., Inc.
Orlando 407-425-2681

B.G.S.I.
Pompano Beach 954-971-0456

Comm. Appliance Service
Tampa 813-663-0313

GEORGIA

TWC Services
Mableton 770-438-9797

Heritage Service Group
Norcross 866-388-9837

Southeastern Rest. Svc.
Norcross 770-446-6177

HAWAII

Burney's Comm. Service, Inc.
Honolulu 808-848-1466

Food Equip Parts & Service
Honolulu 808-847-4871

ILLINOIS

Parts Town
Lombard 708-865-7278

Eichenauer Elec. Service
Decatur 217-429-4229

Midwest Elec. Appl. Service
Elmhurst 630-279-8000

Cone's Repair Service
Moline 309-797-5323

INDIANA

GCS Service
Indianapolis 317-545-9655

IOWA

Goodwin Tucker Group
Des Moines 515-262-9308

KENTUCKY

Service Solutions Group
Lexington 859-254-8854

Service Solutions Group
Louisville 502-451-5411

LOUISIANA

Chandlers Parts & Service
Baton Rouge 225-272-6620

MARYLAND

Electric Motor Service
Baltimore 410-467-8080

GCS Service
Silver Spring 301-585-7550

MASSACHUSETTS

Ace Service Co., Inc.
Needham 781-449-4220

MICHIGAN

Bildons Appliance Service
Detroit 248-478-3320

Commercial Kitchen Service
Bay City 517-893-4561

Midwest Food Equip. Service
Grandville 616-261-2000

MINNESOTA

GCS Service
Plymouth 800-345-4221

MISSOURI

General Parts
Kansas City 816-421-5400

Commercial Kitchen Services
St. Louis 314-890-0700

Kaemmerlen Parts & Service
St. Louis 314-535-2222

NEBRASKA

Anderson Electric
Omaha 402-341-1414

NEVADA

Burney's Commercial
Las Vegas 702-736-0006

Hi. Tech Commercial Service
N. Las Vegas 702-649-4616

NEW JERSEY

Jay Hill Repair
Fairfield 973-575-9145

Service Plus
Flanders 973-691-6300

NEW YORK

Acme American Repairs, Inc.
Brooklyn 718-456-6544

Alpro Service Co.
Brooklyn 718-386-2515

Appliance Installation
Buffalo 716-884-7425

Duffy's Equipment Services, Inc.
Buffalo 800-836-1014

3Wire Northern
Plattsburgh 800-634-5005

Duffy's Equipment Services, Inc.
Sauquoit 800-836-1014

J.B. Brady, Inc.
Syracuse 315-422-9271

NORTH CAROLINA

Authorized Appliance
Charlotte 704-377-4501

OHIO

Akron/Canton Comm. Svc. Inc.
Akron 330-753-6635

Service Solutions Group
Cincinnati 513-772-6600

Commercial Parts and Service
Columbus 614-221-0057

Electrical Appl. Repair Service
Brooklyn Heights 216-459-8700

E. A. Wichman Co.
Toledo 419-385-9121

OKLAHOMA

Hagar Rest. Service, Inc.
Oklahoma City 405-235-2184

Krueger, Inc.
Oklahoma City 405-528-8883

OREGON

Ron's Service, Inc.
Portland 503-624-0890

PENNSYLVANIA

Elmer Schultz Services
Philadelphia 215-627-5401

FAST Comm. Appl. Service
Philadelphia 215-288-4800

Appliance Installation & Service
Pittsburgh 412-809-0244

K & D Service Co.
Harrisburg 717-236-9039

Electric Repair Co.
Reading 610-376-5444

RHODE ISLAND

Marshall Electric Co.
Providence 401-331-1163

SOUTH CAROLINA

Whaley Foodservice Repair
W. Columbia 803-791-4420

TENNESSEE

Camp Electric
Memphis 901-527-7543

TEXAS

GCS Service
Fort Worth 800-433-1804

Armstrong Repair Service
Houston 713-666-7100

Cooking Equipment Specialist
Mesquite 888-866-9276

Refrigerated Specialist, Inc.
Mesquite 888-866-9276

Commercial Kitchen Repair Co.
San Antonio 210-735-2811

UTAH

La Monica's Rest. Equip. Service
Murray 801-263-3221

VIRGINIA

Daubers
Norfolk 757-855-4097

Daubers
Springfield 703-866-3600

WASHINGTON

3Wire Restaurant Appliance
Seattle 800-207-3146

WISCONSIN

A.S.C., Inc.
Madison 608-246-3160

A.S.C., Inc.
Milwaukee 414-543-6460

CANADA

ALBERTA

Key Food Equipment Service
Edmonton 780-438-1690

BRITISH COLUMBIA

Key Food Equipment Service
Vancouver 604-433-4484

Key Food Equipment Service
Victoria 250-920-4888

MANITOBA

Air Rite, Inc.
Winnipeg 204-895-2300

NEW BRUNSWICK

EMR Services, Ltd.
Moncton 506-855-4228

ONTARIO

R.G. Henderson Ltd.
Toronto 416-422-5580

Choquette - CKS, Inc.
Ottawa 613-739-8458

QUÉBEC

Choquette - CKS, Inc.
Montreal 514-722-2000

Choquette - CKS, Inc.
Québec City 418-681-3944

UNITED KINGDOM

Marren Group
Northants +44(0)1933 665313

HATCO CORPORATION

P.O. Box 340500

Milwaukee, WI 53234-0500 U.S.A.

800-558-0607 414-671-6350

Parts and Service Fax 800-690-2966

International Fax 414-671-3976

partsandservice@hatcocorp.com

www.hatcocorp.com

Register your unit online!

See IMPORTANT OWNER INFORMATION
section for details.

S'inscrire en ligne!

Lisez la section INFORMATIONS IMPORTANTES
POUR LE PROPRIÉTAIRE pour plus de informations.